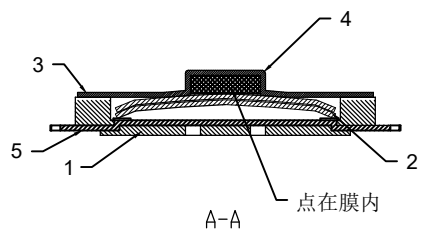
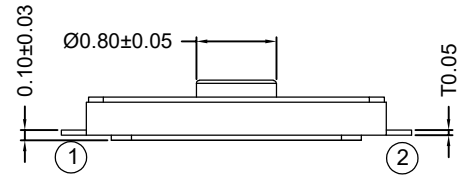
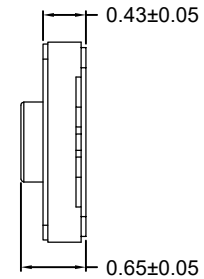
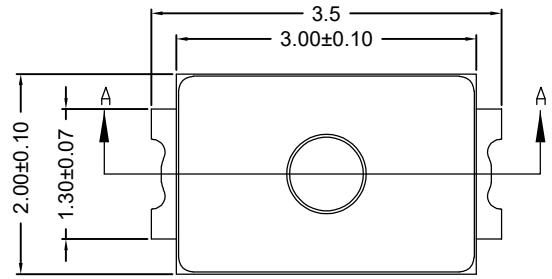
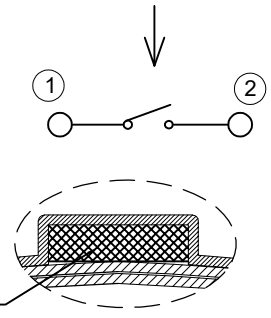


RoHS Compliant

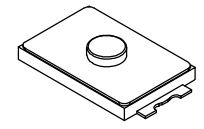
REVISIONS			
REV.	DESCRIPTION	DATE	DESIGN



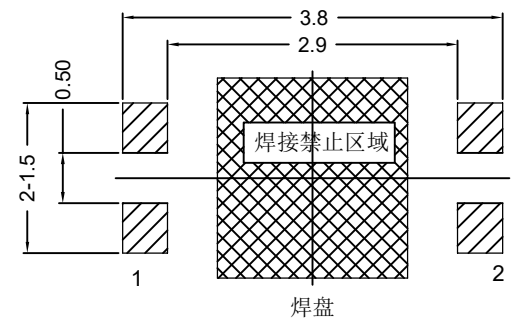
Circuit Diagram



SCALE B=2/1



PCB.layout



焊锡涂布量波动有可能导致实装焊接通不良，因此请使用推荐焊盘和丝网。
 推荐焊盘区域
 焊接禁止区域

主要技术指标:
Main Specifications

气候等级 Climate grade	额定值 Rated values	接触电阻 Contact resistance	耐压 Dielectric strength	绝缘电阻 Insulation resistance	按压力 Operating force	行程 Travel	寿命 Life
-30°C~+85°C	Max50 mA12V DC Min10 μA12V DC	≤100mΩ	100V. AC. 1Min	≥100MΩ	180±50gf	0.15±0.05	300000次

序号	名称	数量	材料	备注
5	端子	1	C5191	镀银
4	胶点	1	聚酰亚胺	黑色
3	白膜	1	聚酰亚胺	白色(透明)
2	弹片	2	SUS301-Ag0.5	单面镀银
1	塑胶底座	1	PA	黑色

Bestcreate Technology Limited

TOLERANCES UNLESS OTHERWISE SPECIFIED:			
X.	±	0.45	X.' ± 5'
.X	±	0.35	.X' ± 2'
.XX	±	0.25	.XX' ± 1'

Website:www.bsc-elec.com
Email:bestcreate@bsc-elec.com

DESIGN:	DATE:
I. L	2017. 3. 1
CHECKED:	DATE:
C. W	2017. 3. 1
APPROVED:	DATE:
C. W	2017. 3. 1

TITLE: TOUCH SWITCH(2030SERIES)		
MATERILA:	PART NO: K-W104065A2-D	SIZE: A4
FINSH:	DWG NO: K-W104065A2-D	1 OF 2

REV: A	UNIT mm	SCALE 1=1	QUALITY SYMBOLS
-----------	------------	--------------	---------------------

RoHS Compliant

包装流程: 图1 图2 图3 图4

REVISIONS			
REV.	DESCRIPTION	DATE	DESIGN



图1

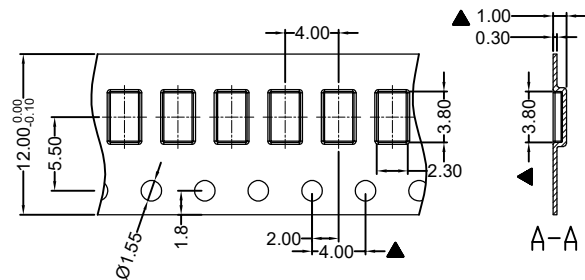
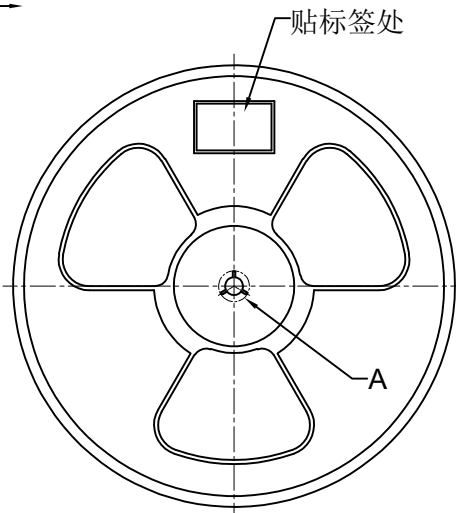


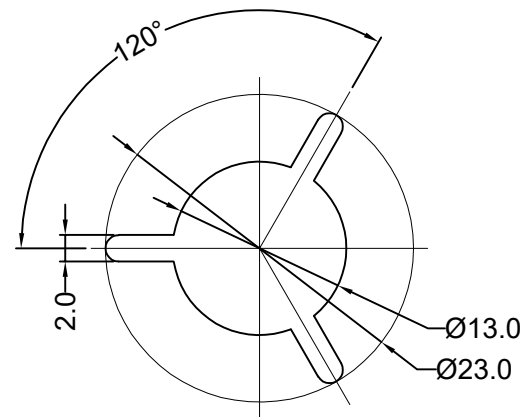
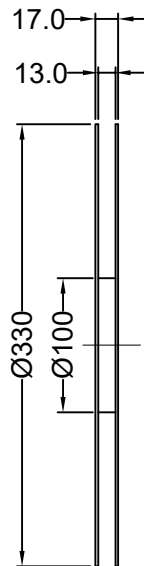
图2 成品载带

收料方向



上带向轴外 +

图3 盘装料盘



SCALE A=10/1

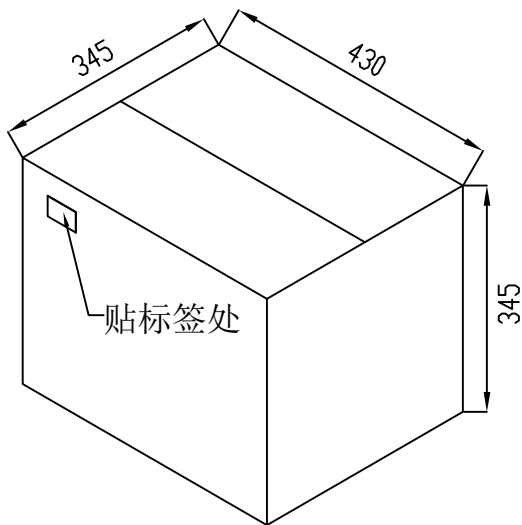


图4 外箱

备注:

图3 盘装料盘 每盘包装数量10000PCS/盘。

图4 每箱 (430X345X345) 包装数量25盘, 共250000PCS

Bestcreate Technology Limited

TOLERANCES UNLESS OTHERWISE SPECIFIED:

X.	±	0.45	X'	±	5'
.X	±	0.35	.X'	±	2'
.XX	±	0.25	.XX'	±	1'

Website: www.bsc-elec.com
Email: bestcreate@bsc-elec.com

DESIGN: DATE:

I. L. 2017. 3. 1

CHECKED: DATE:

C. W. 2017. 3. 1

APPROVED: DATE:

C. W. 2017. 3. 1

TITLE: TOUCH SWITCH (2030SERIES)

MATERILA: PART NO: K-W104065A2-D SIZE: A4

FINSH: DWG NO: K-W104065A2-D 2 OF 2

REV: A UNIT mm SCALE 1=1 QUALITY SYMBOLS