

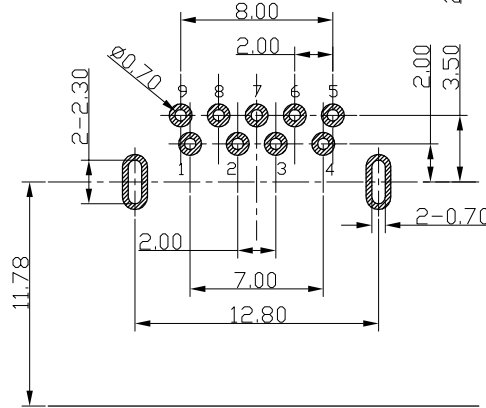
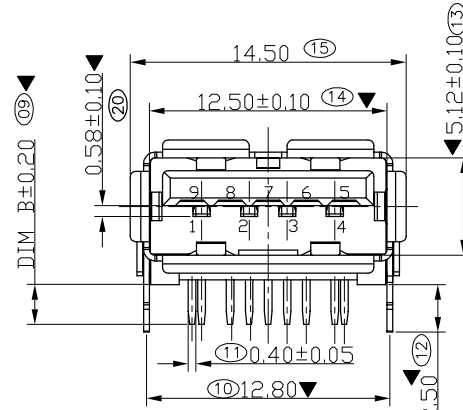
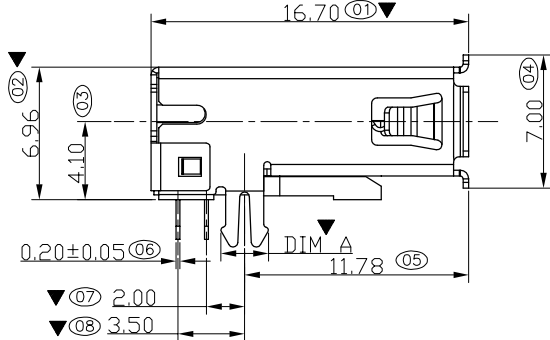
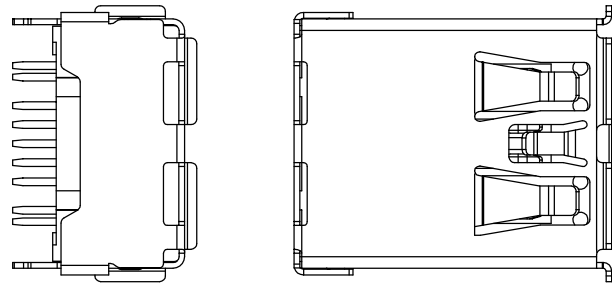
RoHS Compliant

U03-AFXAXX-3004-A0V3	2.50	2.10
U03-AFXAXX-3004-A1V3	2.50	2.50
U03-AFXAXX-3004-A2V3	2.30	2.10
P/N	DIM A	DIM B

REVISIONS			
REV.	DESCRIPTION	DATE	DESIGN

NOTE:

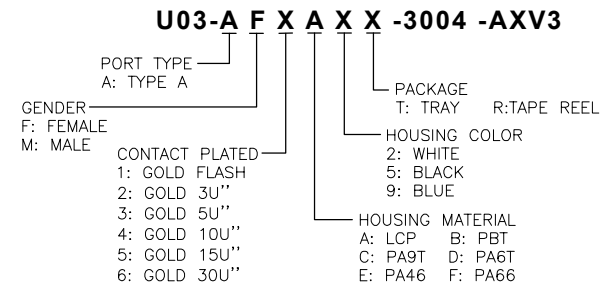
- MATERIAL:
 - INSULATOR: HIGH TEMPERATURE PLASTIC
 - CONTACT: BRONZE
 - SHELL: BRASS & K7 & SPCC
- ELECTRICAL CHARACTERISTICS:
 - CONTACT RESISTANCE: 30mΩ MAX
 - CONTACT CURRENT RATING: 1.5A
 - DIELECTRIC WITHSTANDING VOLTAGE: 100 V R. M. S.
 - INSULATION RESISTANCE 100 MΩ MIN
 - OPERATING TEMPERATURE: -40° C ~ 85° C
- MECHANICAL CHARACTERISTICS:
 - MATING FORCE: 3.57kgf MAX
 - UNMATING FORCE: 1.02kgf MIN
 - DURABILITY: MANDATORY: 1,500 CYCLES
- PLATING:
 - TERMINAL:
 - 50u" MIN NICKEL ALL OVER
 - 100u" MIN Tin ON SOLDER AREA
 - (1~30)u" Au ON CONTACT AREA
 - SHELL: 80u" MIN. NICEL ALL OVER



Pin NUMBER	SIGNAL NAME
1	VBUS
2	D-
3	D+
4	GND
5	StdA_SSRX-
6	StdA_SSRX+
7	GND_DRAIN
8	StdA_SSTX-
9	StdA_SSTX+

Shell | Shield

PART NO. INFORMATION



Bestcreate Technology Limited

TOLERANCES UNLESS OTHERWISE SPECIFIED:

X.	± 0.30	X.*	± 3*
.X	± 0.20	.X.*	± 2*
.XX	± 0.15	.XX.*	± 1*

DESIGN: I. L DATE: 2017. 3. 1

CHECKED: C. W DATE: 2017. 3. 1

APPROVED: C. W DATE: 2017. 3. 1

TITLE: TOP MOUNT USB 3.0 AF CONNECTOR, 90D DIP TYPE

MATERIAL: U03-AFXAXX-3004-AXV3 PART NO: U03-AFXAXX-3004-AXV3 SIZE: A4

FINISH: U03-AFXAXX-3004-AXV3 DWG NO: U03-AFXAXX-3004-AXV3 SHEET: 1 OF 1

REV: A UNIT mm SCALE 1=1 QUALITY SYMBOLS Website: www.bsc-elec.com E-mail: bestcreate@bsc-elec.com