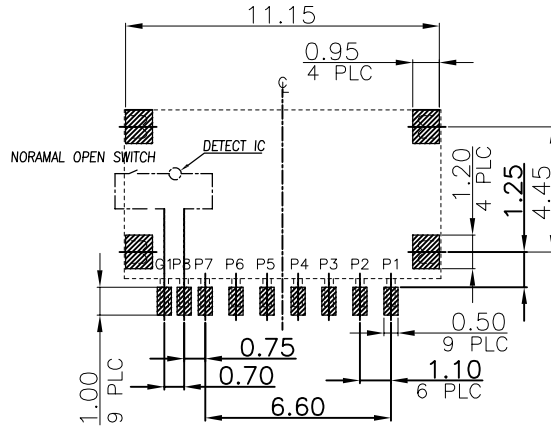
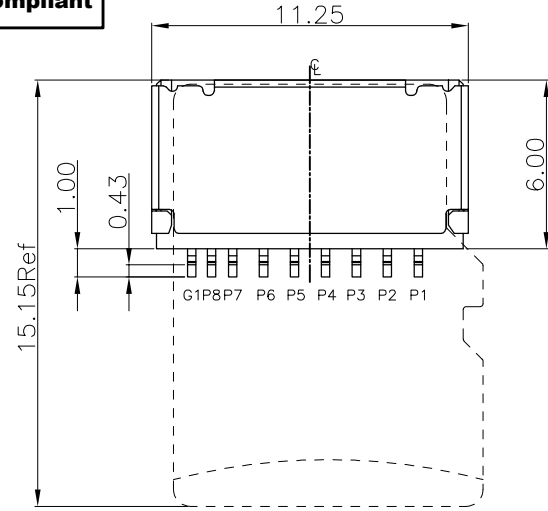
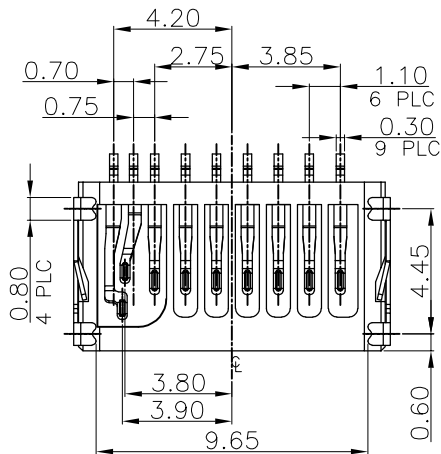
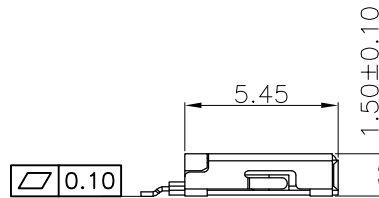
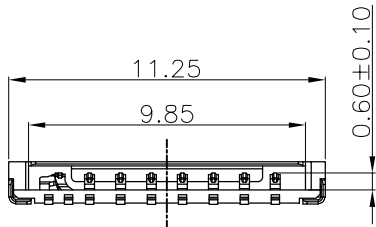


RoHS Compliant



RECOMMENDED PCB LAYOUT
TOL:(±0.05)



| | |
|------------|------------|
| P8 | DAT1 |
| P7 | DAT0 |
| P6 | VSS |
| P5 | CLK |
| G1 | SWITCH |
| P4 | VDD |
| P3 | CMD |
| P2 | CD/DAT3 |
| P1 | DAT2 |
| PIN NUMBER | PIN NUMBER |

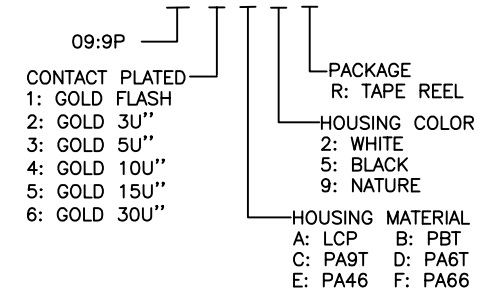
| REVISIONS | | | |
|-----------|-------------|------|--------|
| REV. | DESCRIPTION | DATE | DESIGN |
| | | | |

NOTES:

- MATERIAL:
HOUSING: HIGHT-TEMP. PLASIC UL 94V-0
CONTACT: COPPER ALLOY,T=0.15
SHELL: STAINLESS STEEL ,T=0.15
- FINISH :
CONTACT:GOLD FLASH PLATED ON CONTACT AREA;
GOLD FLASH PLATING ON SOLDER TAILS,
SHELL: NICKEL PLATED OVERALL,

PART NO.INFORMATION

TFWF - 09 X X 5 R - 007



Bestcreate Technology Limited

TOLERANCES UNLESS OTHERWISE SPECIFIED:

| | | | | | |
|------|---|------|------|---|----|
| .X | ± | 0.35 | X.* | ± | 5' |
| .XX | ± | 0.25 | .X' | ± | 2' |
| .XXX | ± | 0.15 | .XX' | ± | 1' |

Website:www.bsc-elec.com
Email:bestcreate@bsc-elec.com

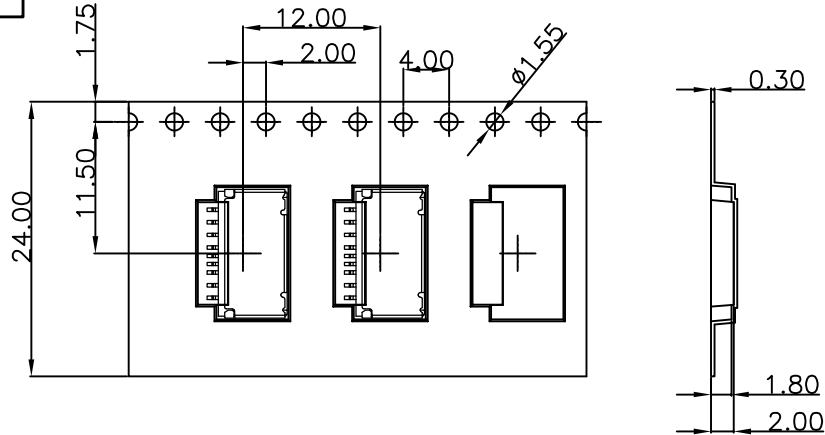
| | |
|-----------|----------|
| DESIGN: | DATE: |
| I.L | 2017.3.1 |
| CHECKED: | DATE: |
| C.W | 2017.3.1 |
| APPROVED: | DATE: |
| C.W | 2017.3.1 |

| | | |
|-----------------------------|-----------------------------|-----------------|
| TITLE: T-FLASH 9PIN CONN | | |
| MATERILA: | PART NO: TFWF-09XX5R-007 | SIZE: A4 |
| FINSH: | DWG NO: TFWF-09XX5R-007 | SHEET: 1 / 2 |

| | | | |
|-----------|------------|--------------|-----------------|
| REV: A | UNIT mm | SCALE 1=1 | QUALITY SYMBOLS |
|-----------|------------|--------------|-----------------|

RoHS Compliant

<图一>

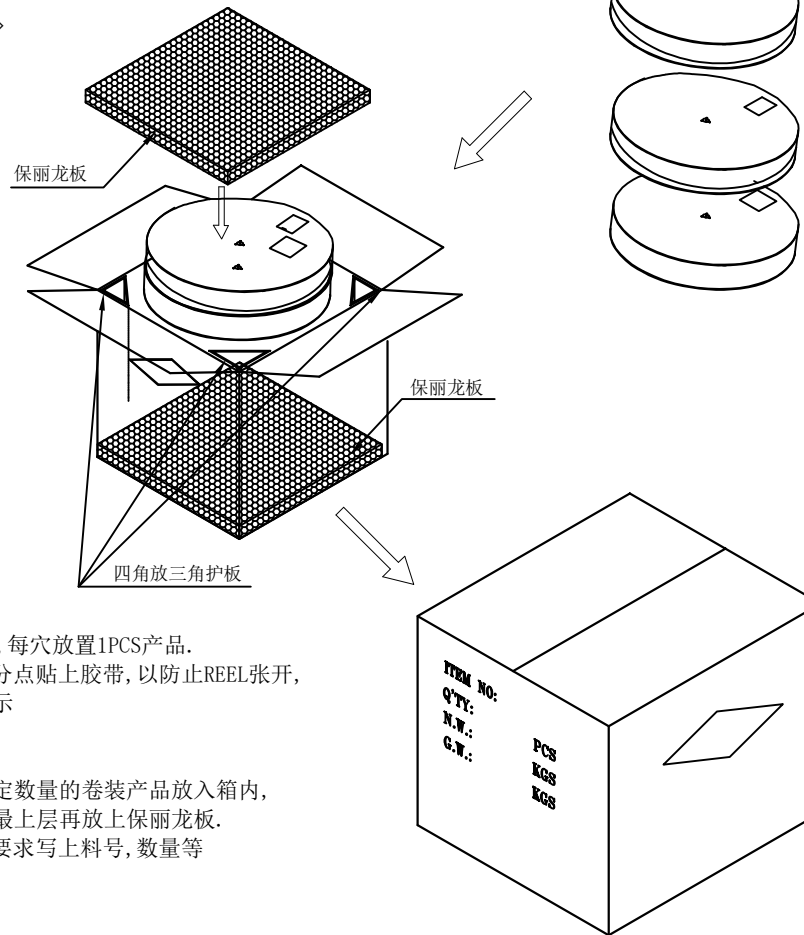


<表一>

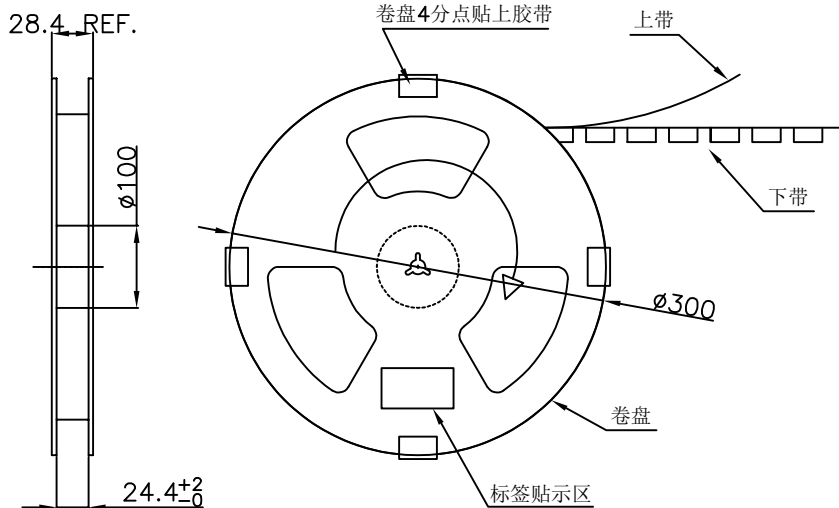
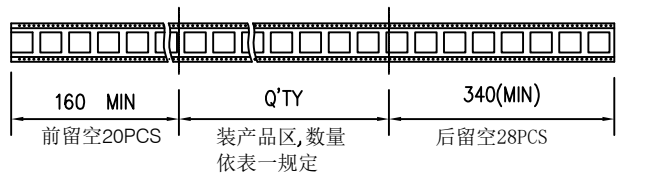
包装数量

| PCS/卷 | 卷/箱 | PCS/箱 |
|-------|-----|-------|
| 2500 | 10 | 25000 |

<图三>



<图二>



NOTE:

- 依<图一>示放置产品于下载中, 每穴放置1PCS产品.
- 包装机包好后, 在REEL的个等分点贴上胶带, 以防止REEL张开, 每REEL贴1PCS标签, 如<图二>示
- 包装数量见如<表一>示
- 包装成箱见如<图三>示
箱底放保利龙板, 再依次将指定数量的卷装产品放入箱内, 四角分别放入四个三角护板, 最上层再放上保利龙板.
- 封箱, 在封好的纸箱上按客户要求写上料号, 数量等
- 适用成品料号见如下<表二>

Bestcreate Technology Limited

TOLERANCES UNLESS OTHERWISE SPECIFIED:

| | | | | | |
|------|---|------|------|---|----|
| .X | ± | 0.35 | X.* | ± | 5' |
| .XX | ± | 0.25 | .X' | ± | 2' |
| .XXX | ± | 0.15 | .XX' | ± | 1' |

Website: www.bsc-elec.com
Email: bestcreate@bsc-elec.com

DESIGN: I.L DATE: 2017. 3. 1

CHECKED: C.W DATE: 2017. 3. 1

APPROVED: C.W DATE: 2017. 3. 1

TITLE: T-FLASH 9PIN CONN.
包装图

MATERIAL: PART NO: TFWF-09XX5R-007 SIZE: A4

FINISH: DWG NO: TFWF-09XX5R-007 SHEET: 2 OF 2

REV: A UNIT: mm SCALE: 1=1 QUALITY SYMBOLS