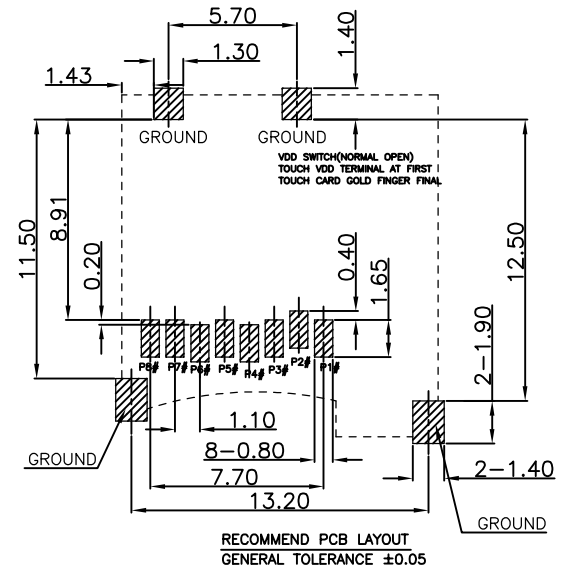
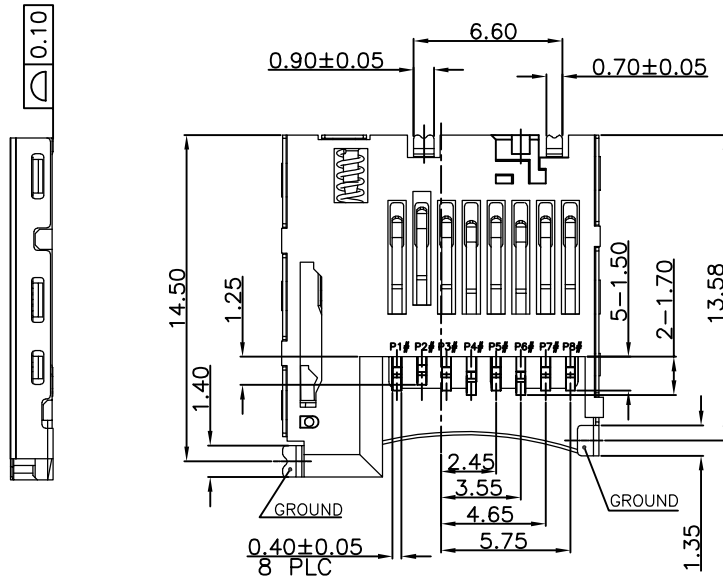
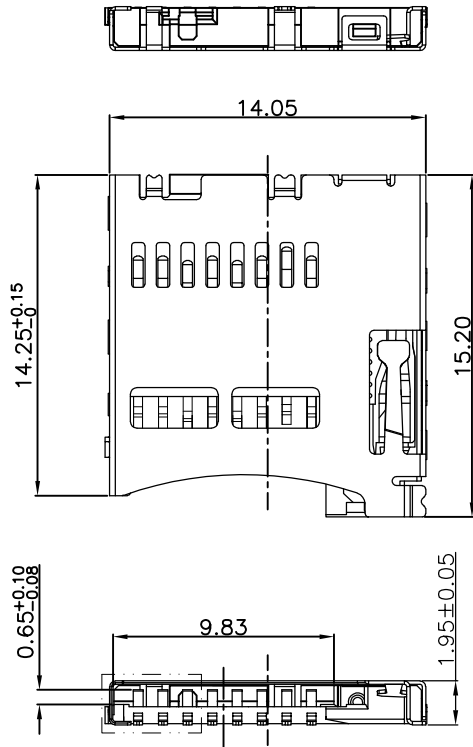


RoHS Compliant

REVISIONS			
REV.	DESCRIPTION	DATE	DESIGN

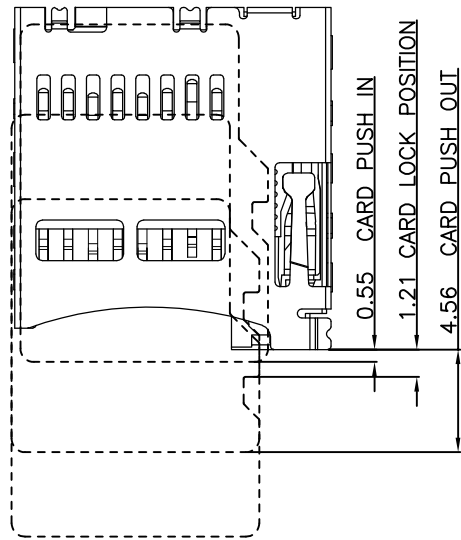


- NOTES:
- MATERIAL:
 HOUSING : HI-TEMP. PLASIC UL 94V-0
 CONTACT : COPPER ALLOY,T=0.15mm
 SHELL : STANLESS STEEL,T=0.15mm
 - FINISH :
 CONTACT:GOLD FLASH PLATED ON CONTACT AREA;
 GOLD FLASH PLATED ON SOLDER TAILS,
 SHELL: GOLD FLASH PLATED ON SOLDER TAILS,

PART NO.INFORMATION

TFWF - 08 X X 5 R - 004

- 08:8P
- CONTACT PLATED
- 1: GOLD FLASH
- 2: GOLD 3U''
- 3: GOLD 5U''
- 4: GOLD 10U''
- 5: GOLD 15U''
- 6: GOLD 30U''
- PACKAGE
- R: TAPE REEL
- HOUSING COLOR
- 2: WHITE
- 5: BLACK
- 9: NATURE
- HOUSING MATERIAL
- A: LCP B: PBT
- C: PA9T D: PA6T
- E: PA46 F: PA66



Pin No.	MICRO SD
PIN1	DAT2 1P
PIN2	CD/DAT3 2P
PIN3	CMD 3P
PIN4	VDD 4P
PIN5	CLK 5P
PIN6	VSS 6P
PIN7	DAT0 7P
PIN8	DAT1 8P

Bestcreate Technology Limited

TOLERANCES UNLESS OTHERWISE SPECIFIED:

.X	± 0.35	X.*	± 5'
.XX	± 0.25	.X'	± 2'
.XXX	± 0.15	.XX'	± 1'

Website:www.bsc-elec.com
 Email:bestcreate@bsc-elec.com

DESIGN: I.L DATE: 2017.3.1

CHECKED: C.W DATE: 2017.3.1

APPROVED: C.W DATE: 2017.3.1

TITLE: PUSH T-FLASH CONN
 内焊 常开型不带检测PIN

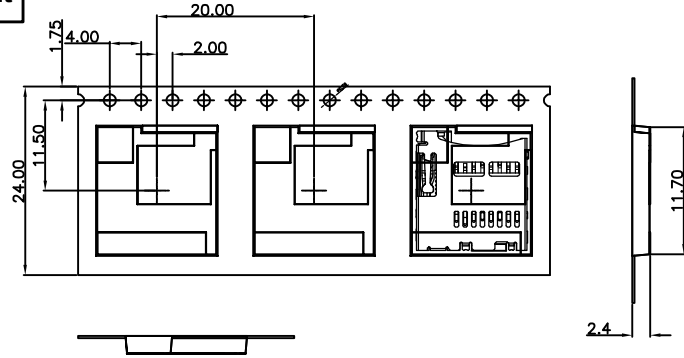
MATERIAL: PART NO: TFWF-08XX5R-004 SIZE: A4

FINISH: DWG NO: TFWF-08XX5R-004 SHEET: 1 / 2

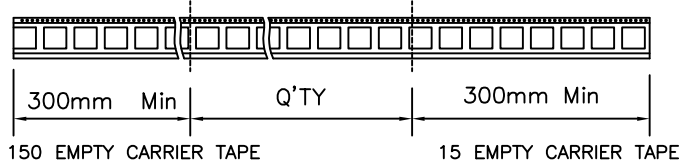
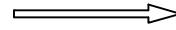
REV: A UNIT mm SCALE 1=1 QUALITY SYMBOLS

RoHS Compliant

<图一>

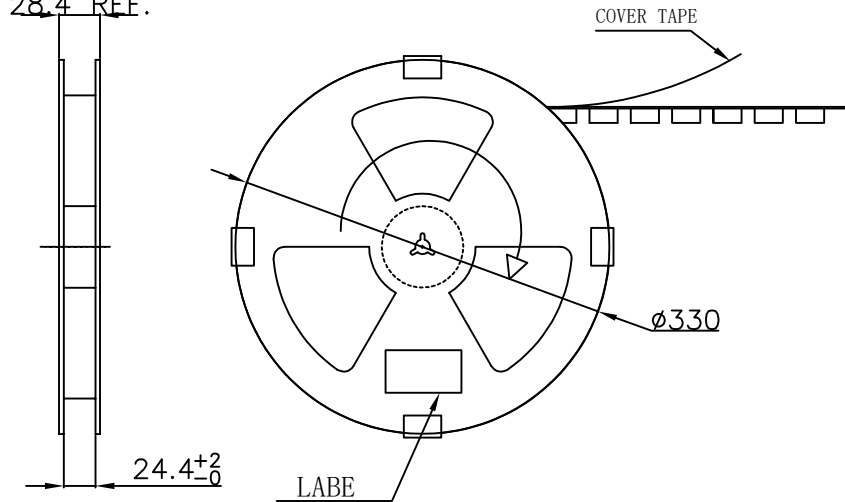


放料方向

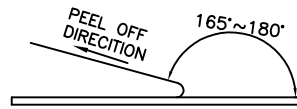


<图二>

28.4 REF.



COVER TAPE PEELING FORCE: 50gf~150gf



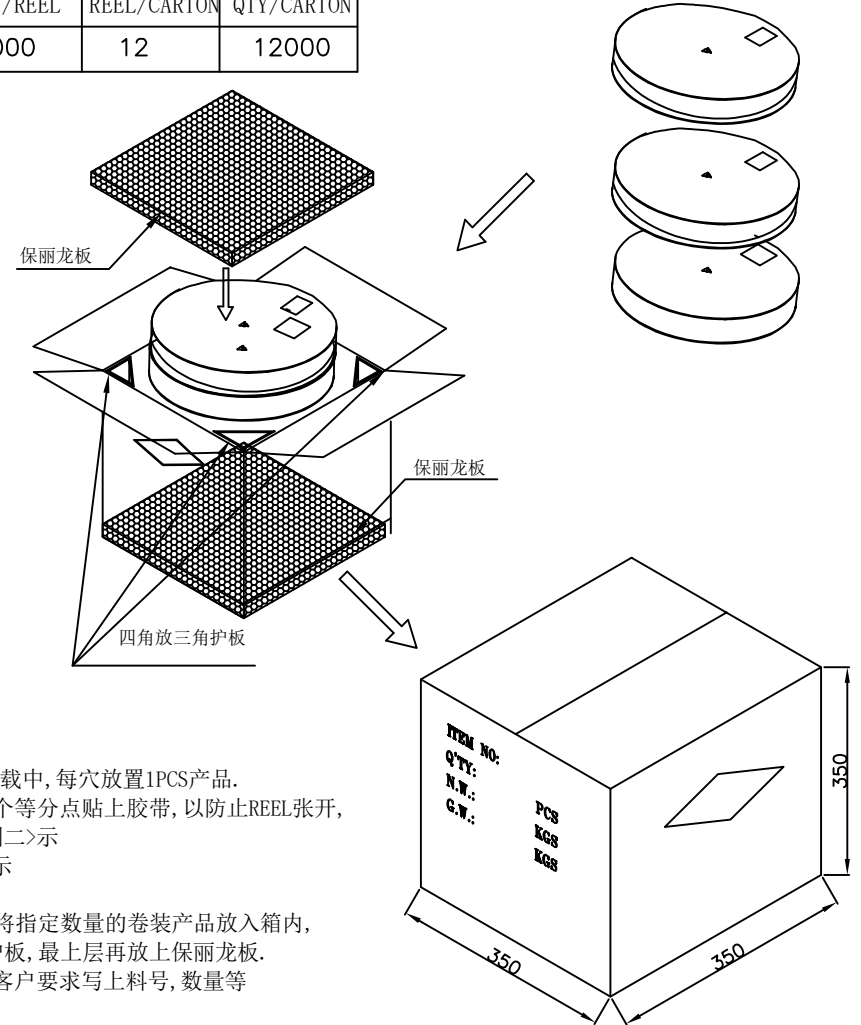
NOTE:

- 1.依<图一>示放置产品于下载中, 每穴放置1PCS产品.
- 2.包装机包好后, 在REEL的个等分点贴上胶带, 以防止REEL张开, 每REEL贴1PCS标签, 如<图二>示
- 3.包装数量见如<TABLE 1>示
- 4.包装成箱见如<图三>示
箱底放保丽龙板, 再依次将指定数量的卷装产品放入箱内, 四角分别放入四个三角护板, 最上层再放上保丽龙板.
- 5.封箱, 在封好的纸箱上按客户要求写上料号, 数量等

<TABLE 1> PACKAGING QUANTITY

QTY/REEL	REEL/CARTON	QTY/CARTON
1000	12	12000

<图三>



REVISIONS

REV.	DESCRIPTION	DATE	DESIGN

Bestcreate Technology Limited

TOLERANCES UNLESS OTHERWISE SPECIFIED:

.X	± 0.35	X.	± 5'
.XX	± 0.25	.X'	± 2'
.XXX	± 0.15	.XX'	± 1'

Website: www.bsc-elec.com
 Email: bestcreate@bsc-elec.com

DESIGN: I.L
 DATE: 2017. 3. 1

CHECKED: C.W
 DATE: 2017. 3. 1

APPROVED: C.W
 DATE: 2017. 3. 1

TITLE: PUSH T-FLASH CONN
 内焊 常开型不带检测PIN-包装图

MATERIAL: TFWF-08XX5R-004
 PART NO: TFWF-08XX5R-004
 SIZE: A4

FINISH: TFWF-08XX5R-004
 DWG NO: TFWF-08XX5R-004
 SHEET: 2 OF 2

REV: A
 UNIT: mm
 SCALE: 1=1
 QUALITY SYMBOLS

1

2

3

4

5

6

7

8