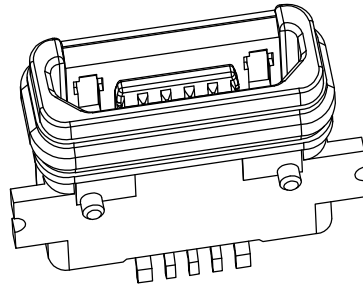
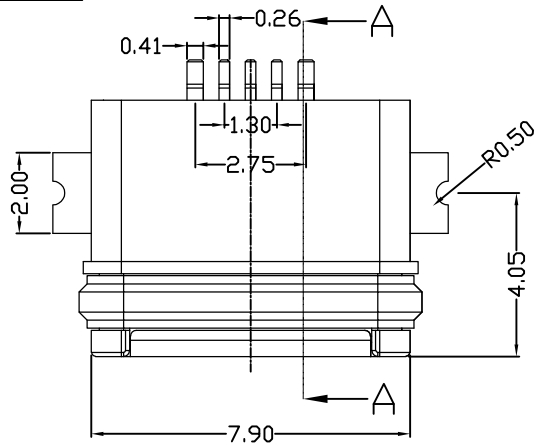


RoHS Compliant



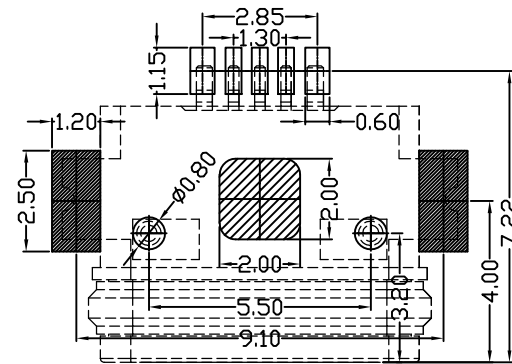
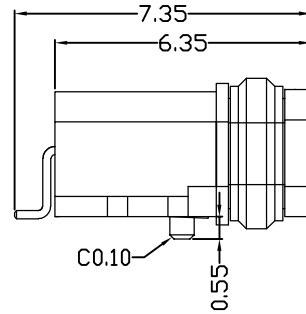
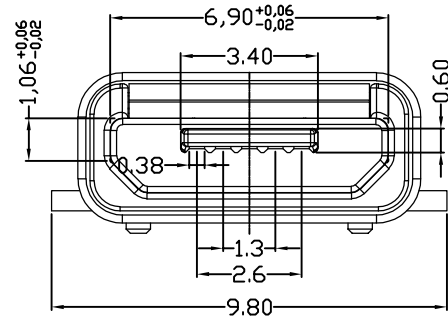
Note:

1.Material:

- 1.1 Housing: High temperature thermoplastic with g.f,UL94v-0
- 1.2 Contact: copper alloy,t=0.20mm
- 1.3 Shell-1: kirsite
- 1.4 Shell-2: SUS304 t=0.25mm

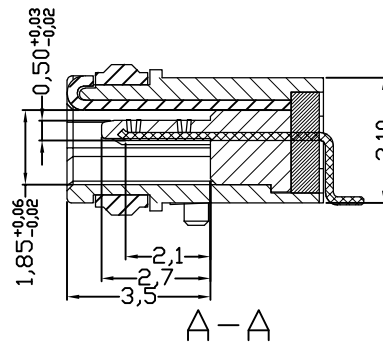
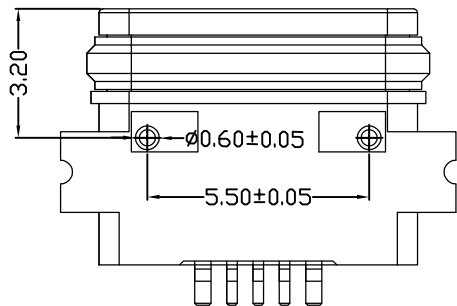
2.Specification:

- 2.1 Current rating:1,5PIN 1.8A Max/2,3,4PIN 1A Max.
- 2.2 Dielectric withstanding voltage: 100 V(ac) for 1 min.
- 2.3 Contact resistance: 30 mΩ Max.
- 2.4 Insulation resistance: 100 MΩ Min.
- 2.5 Total mating force: 3.57 Kgf Max.
- 2.6 Total unmating force: 1.0 Kgf Min.
- 2.7 Temperature range: -30°C~80°C



RECOMMENDED PCB LAYOUT

PCB图仅供参考



PART NO. INFORMATION

U01-B F X X 5 R - W003

- PORT TYPE  
B: TYPE B
- GENDER  
F: FEMALE  
M: MALE
- CONTACT PLATED  
1: GOLD FLASH  
2: GOLD 3U"  
3: GOLD 5U"  
4: GOLD 10U"  
5: GOLD 15U"  
6: GOLD 30U"
- PACKAGE  
R: TAPE REEL
- HOUSING COLOR  
2: WHITE  
5: BLACK  
9: NATURE
- HOUSING MATERIAL  
A: LCP B: PBT  
C: PA9T D: PA6T  
E: PA46 F: PA66

**Bestcreate Technology Limited**

TOLERANCES UNLESS OTHERWISE SPECIFIED:

.X	± 0.30	X.*	± 10°
.XX	± 0.20	.X.*	± 8°
.XXX	± 0.10	.XX.*	± 5°

Website: [www.bsc-elec.com](http://www.bsc-elec.com)  
E-mail: [bestcreate@bsc-elec.com](mailto:bestcreate@bsc-elec.com)

DESIGN:

I. L

DATE:

2017/3/1

TITLE:

WATERPROOF MICRO USB 5P B FEMALE

CHECKED:

C. W

DATE:

2017/3/1

MATERIAL:

FINSH:

PART NO:

U01-BFXX5R-W003

SIZE:

A4

APPROVED:

C. W

DATE:

2017/3/1

DWG NO:

U01-BFXX5R-W003

SHEET:

1 OF 1

REV: A

UNIT mm

SCALE 1=1

QUALITY SYMBOLS

