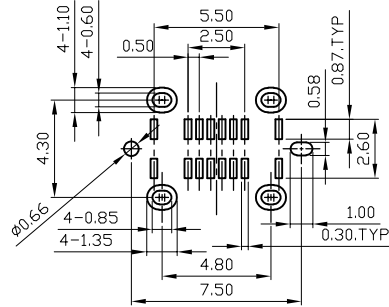
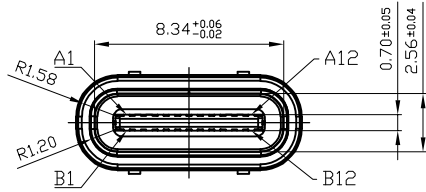
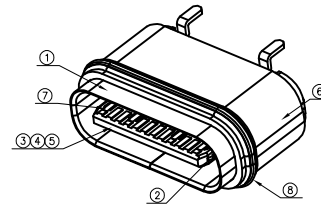
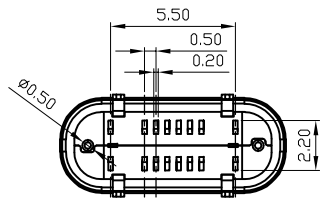
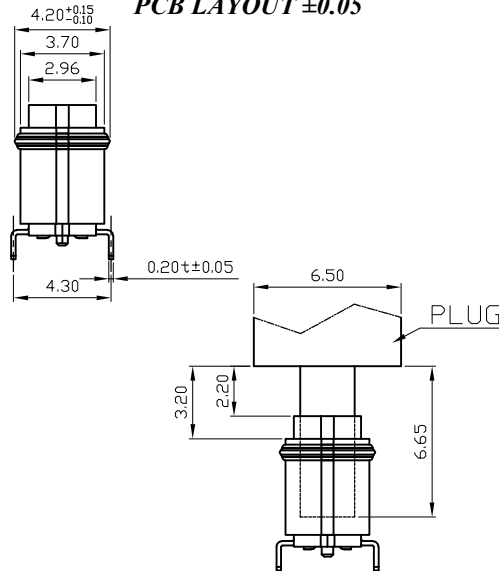
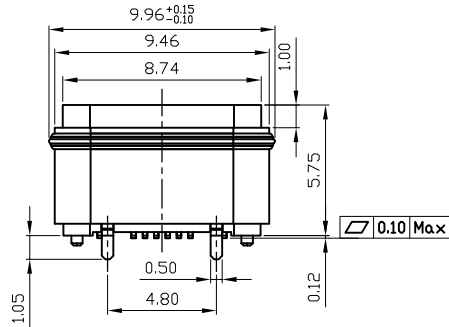


RoHS Compliant



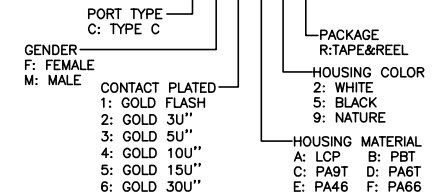
PCB LAYOUT ±0.05



- NOTE:
- Material:
 - All Housing: PA46,Black,UL94V-0
 - Insulation Jacket: PA46,Black,UL94V-0
 - Contact: Copper Alloy
 - Mid Plate: Stainless Steel
 - Shell: Stainless Steel
 - O-Ring: silica gel
 - FINISH:
 - Contact: Ni 50u" MIN. UNDERPLATED OVER ALL
 - Au PLATED ON THE FUNCTIONAL AREA OF CONTACT. (GOLD PLATING THICKNESS FOLLOW THE P/N)
 - PLATING SPECIFICATIONS OF THE SOLDER AREA FOLLOW THE P/N
 - Mid-Plate: CLEAR ONLY
 - Shell: 30u" MIN Nickel Over All
 - Electrical Characteristics:
 - Current Rating: 5A For Pin(A4,A9,B4,B9)
 - 1.25A For Pin(B5)
 - 0.25A For Others Pin
 - Insulation Resistance: 100MΩ Min.
 - Contact Resistance: 50 mΩ Max.
 - Dielectric Withstanding Voltage: 100V/AC 1Minute
 - Mechanical Characteristics:
 - Insertion Force: 5~20N
 - Extraction Force: Initial: 8~20N
 - After durability: 6~20N
 - Durability :10000 Cycles
 - Operating Temperature: -30°C TO +85°C

PART NO. INFORMATION

U06-C F X X 5 R - W069



| | | | | | |
|-----------|-------------------|-------------------|-----------------|-----------------------------|------------|
| 8 | O-Ring | | SILICA GEL | | 1PCS |
| 7 | Terminal | | Copper alloys | 1u" Au PLATED ON OF CONTACT | 2SET |
| 6 | Insulation Jacket | | | | 1PCS |
| 5 | Triple Molding | | | | 1PCS |
| 4 | Second Molding | | PA46 | | 2PCS |
| 3 | Once Molding | | UL 94V-0, HF | | 1PCS |
| 2 | Mid-Plate | | Stainless Steel | | 1PCS |
| 1 | Shell | | Stainless Steel | Nickel Plating | 1PCS |
| 项次 NO. | 品名 NAME | 料号 PART NUMBER | 材料 MATERIAL | 表面处理 PLATING | 备注 MARK |

MATED CONDITION(REF.)

Bestcreate Technology Limited

TOLERANCES UNLESS OTHERWISE SPECIFIED:

| | | | |
|------|--------|------|--------|
| .X | ± 0.30 | X.* | ± 2* |
| .XX | ± 0.10 | .X* | ± 1* |
| .XXX | ± 0.05 | .XX* | ± 0.5* |

DESIGN: I. L
DATE:
CHECKED: C. W
DATE:
APPROVED: C. W
DATE:

TITLE: IPX7 Waterproof 24P USB C Female Connector SMT
MATERILA:
FINSH:
PART NO: U06-CFXX5R-W069
DWG NO: U06-CFXX5R-W069
SIZE: A4

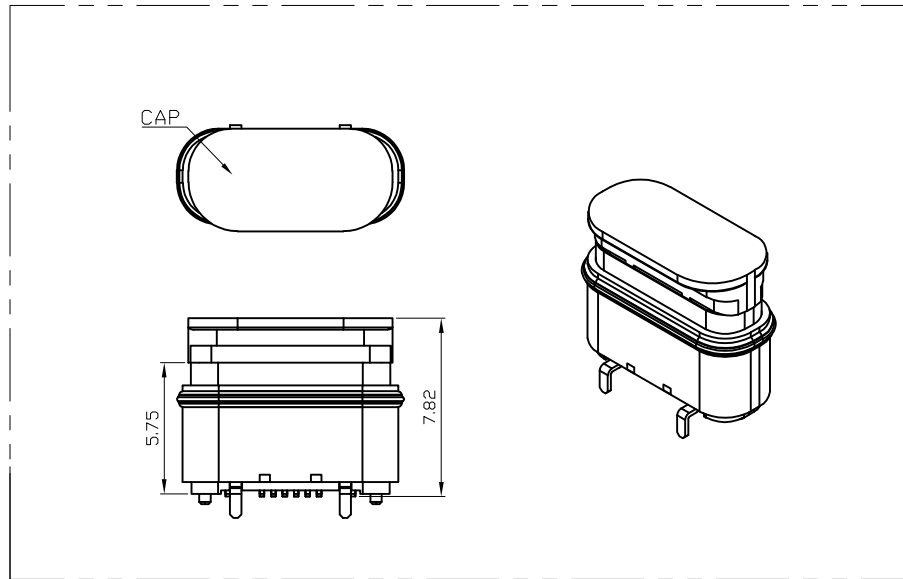
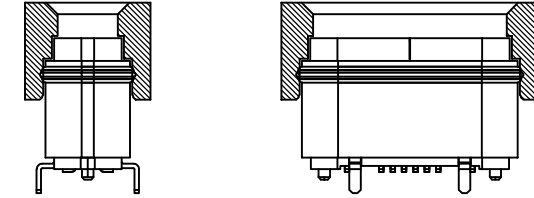
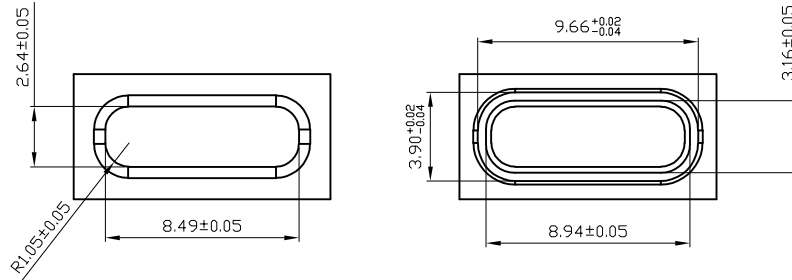
REV: A UNIT SCALE 1mm=1 QUALITY SYMBOL

Website: www.bsc-elec.com
Email: bestcreate@bsc-elec.com

RoHS Compliant



| REVISIONS | | | |
|-----------|-------------|------|--------|
| REV. | DESCRIPTION | DATE | DESIGN |
| | | | |



| PIN ASSIGNMENT | | | |
|----------------|-------------|------------|-------------|
| PIN NUMBER | SIGNAL NAME | PIN NUMBER | SIGNAL NAME |
| A1 | GND | B12 | GND |
| A2 | TX1- | B11 | RX1+ |
| A3 | TX1+ | B10 | RX1- |
| A4 | VBUS | B9 | VBUS |
| A5 | CC1 | B8 | SBU2 |
| A6 | D+ | B7 | D- |
| A7 | D- | B6 | D+ |
| A8 | SBU1 | B5 | CC2 |
| A9 | VBUS | B4 | VBUS |
| A10 | RX2- | B3 | TX2- |
| A11 | RX2+ | B2 | TX2+ |
| A12 | GND | B1 | GND |

Bestcreate Technology Limited

TOLERANCES UNLESS OTHERWISE SPECIFIED:

| | | | |
|------|--------|-------|--------|
| .X | ± 0.30 | X.' | ± 2' |
| .XX | ± 0.10 | .X'' | ± 1' |
| .XXX | ± 0.05 | .XX'' | ± 0.5' |

DESIGN: I. L DATE:

CHECKED: C. W DATE:

APPROVED: C. W DATE:

TITLE: IPX7 Waterproof 24P USB C Female Connector SMT

MATERIAL: PART NO: U06-CFXX5R-W069 SIZE: A4

FINISH: DWG NO: U06-CFXX5R-W069

REV: A UNIT SCALE 1:1 QUALITY SYMBOL

Website: www.bsc-elec.com
Email: bestcreate@bsc-elec.com