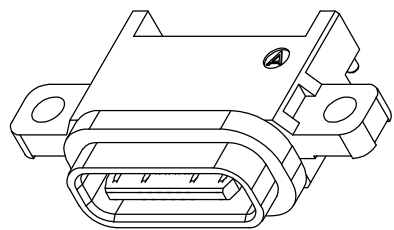
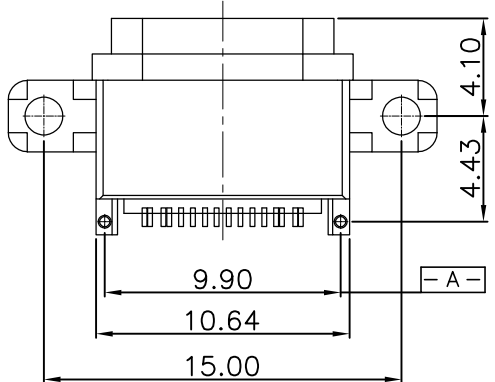
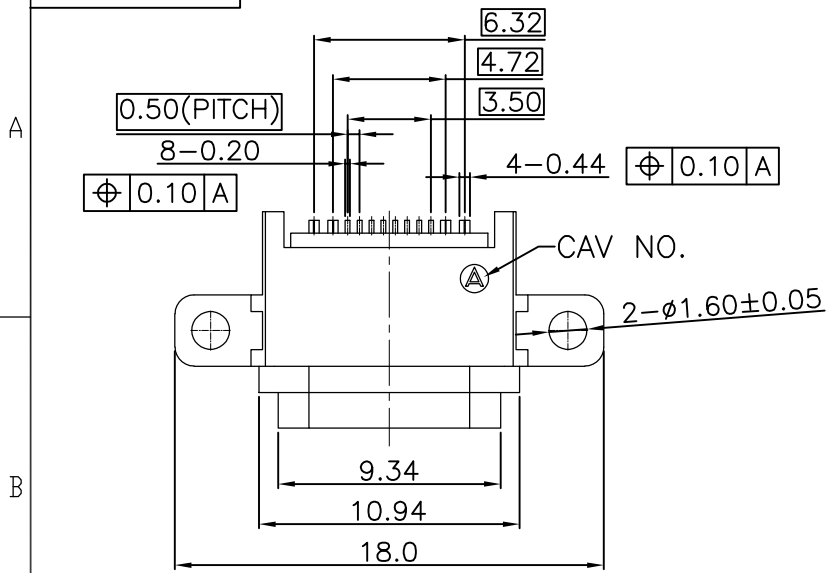


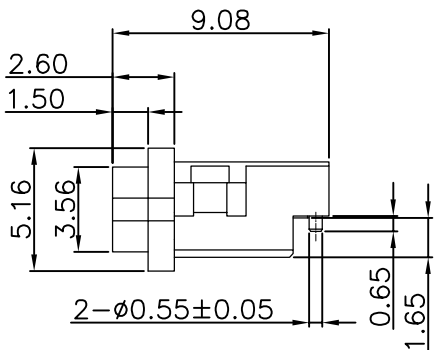
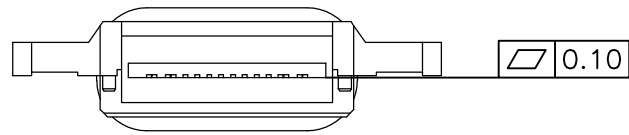
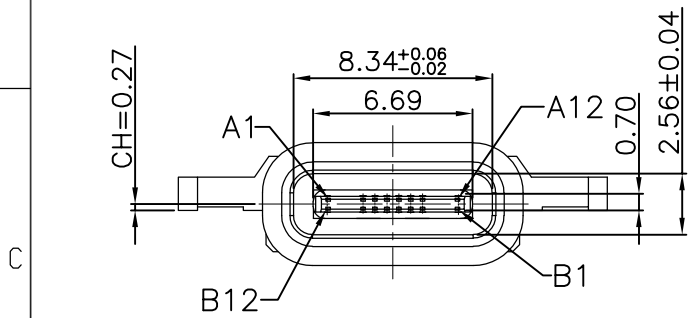
RoHS Compliant

REVISIONS			
REV.	DESCRIPTION	DATE	DESIGN



NOTES:  
SPECIFICATION:

- CURRENT RATING: 3.0A MAX
- DIELECTRIC WITHSTAND VOLTAGE: 100VAC
- TEMPERATURE RANGE: -30 °C ~ 85 °C
- CONTACT RESISTANCE: 40 MILLIONHM MAX
- INSULATION RESISTANCE: 100 MEGOHMS MIN.
- INSERTION FORCE : 5N~20N
- UNMATING FORCE: 8N~20N
- DURABILITY:10,000 CYCLES



PART NO. INFORMATION

**U06-C F X X 5 R - W008**

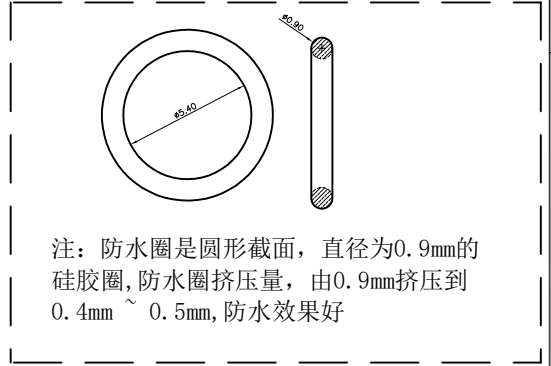
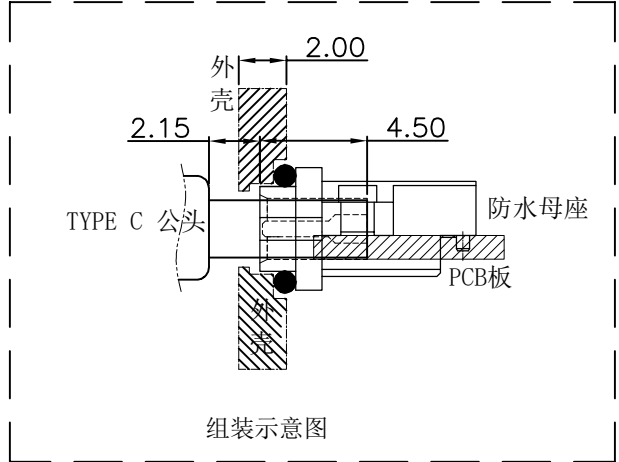
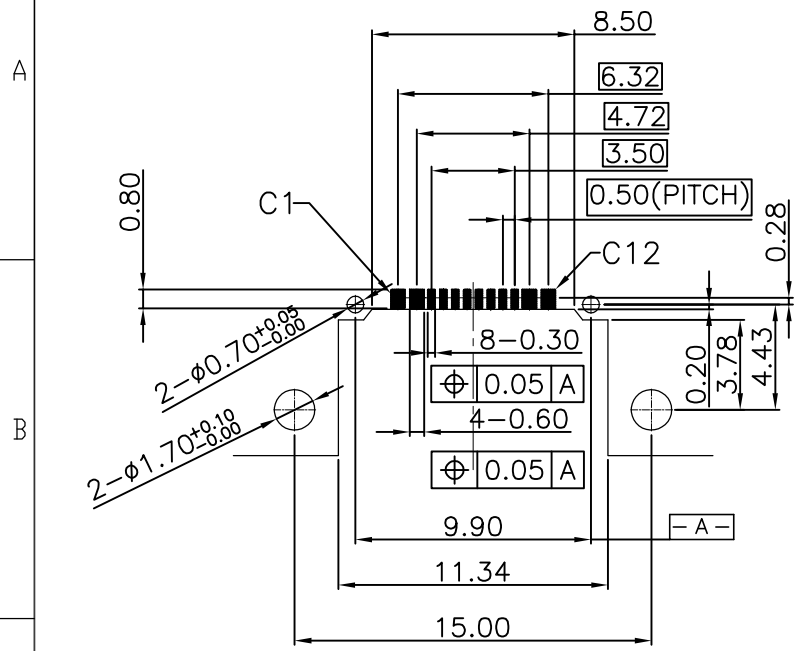
- PORT TYPE: C: TYPE C
- GENDER: F: FEMALE, M: MALE
- CONTACT PLATED: 1: GOLD FLASH, 2: GOLD 3U'', 3: GOLD 5U'', 4: GOLD 10U'', 5: GOLD 15U'', 6: GOLD 30U''
- PACKAGE: R: TAPE REEL
- HOUSING COLOR: 2: WHITE, 5: BLACK, 9: NATURE
- HOUSING MATERIAL: A: LCP, B: PBT, C: PA9T, D: PA6T, E: PA46, F: PA66

ITEM	PART NAME	Q' TY	FINISH	NOTE
3	Shell	1	PA9T(G.F30%)	
2	Contact	5	Phosphor bronze C5191R-EH Au/Ni Plating T=0.12mm	Ni: 40~160u''; Au: CONTACT AREA: 3u'', OTHER AREA: G/F
1	Housing	1	LCP (G.F30%)	

<b>Bestcreate Technology Limited</b>			TOLERANCES UNLESS OTHERWISE SPECIFIED:		DESIGN: I. L	DATE:	TITLE: USB CF 16PIN SMT TYPE	
			X. ± 0.50	X.* ± 2'	CHECKED: C. W	DATE:	MATERILA:	PART NO: U06-CFXX5R-W008
REV: A	UNIT: mm	SCALE: 1=1	QUALITY SYMBOLS	Website: www.bsc-elec.com	APPROVED: C. W	DATE:	FINSH:	DWG NO: U06-CFXX5R-W008
Email: bestcreate@bsc-elec.com								

RoHS Compliant

REVISIONS			
REV.	DESCRIPTION	DATE	DESIGN



RECOMMENDED PCB LAYOUT(TOP VIEW)

THICKNESS T=1.0mm  
DEFAULT TOLERANCE+/-0.05

INTERFACE(FRONT VIEW)

A1	A2	A3	A4	A5	A6	A7	A8	A9	A10	A11	A12
GND			VBUS	CC1	DP1	DN1	SBU1	VBUS			GND
GND			VBUS	SBU2	DN2	DP2	CC2	VBUS			GND
B12	B11	B10	B9	B8	B7	B6	B5	B4	B3	B2	B1

PIN ASSIGNMENT

PIN NO.	A1&B12	A4&B9	B8	A5	B7	A6	A7	B6	A8	B5	A9&B4	A12&B1
SINGAL NAME	GND	VBUS	SBU2	CC1	DN2	DP1	DN1	DP2	SBU1	CC2	VBUS	GND
PCB PAD NO.	C1	C2	C3	C4	C5	C6	C7	C8	C9	C10	C11	C12

**Bestcreate Technology Limited**

TOLERANCES UNLESS OTHERWISE SPECIFIED:

X.	± 0.30	X.*	± 10*
.X	± 0.20	.X.*	± 8*
.XX	± 0.10	.XX.*	± 5*

Website: [www.bsc-elec.com](http://www.bsc-elec.com)  
Email: [bestcreate@bsc-elec.com](mailto:bestcreate@bsc-elec.com)

DESIGN: I. L      DATE:

CHECKED:      DATE:

APPROVED:      DATE:

TITLE: **USB CF 16PIN SMT TYPE**

MATERILA:	PART NO: U06-CFXX5R-W008	SIZE: A4
FINSH:	DWG NO: U06-CFXX5R-W008	

REV: A	UNIT mm	SCALE 1=1	QUALITY SYMBOLS
--------	---------	-----------	-----------------