

由 Autodesk 教育版产品制作

RoHS Compliant

REVISIONS			
REV.	DESCRIPTION	DATE	DESIGN

NOTE:

1. MATERIAL:

- 1.1 INSULATOR:LCP&PA9T UL 94V-0(耐温260度/10S)
- 1.2 CONTACT:BRONZE (T=0.20mm)
- 1.3 SHELL:BRASS (T=0.30mm)

2. ELECTRICAL CHARACTERISTICS:

- 2.1 CONTACTRESISTANCE:30mΩ MAXIMUM
- 2.2 CONTACT CURRENT RATING:1.5A
- 2.3 DIELECTRIC WITHSTANDING VOLTAGE:500 V R. M. S.
- 2.4 INSULATION RESISTANCE 1000 MEGOHMS MIN
- 2.5 OPERATING TEMPERATURE:-40° C ~ 85° C

3. MECHANICAL CHARACTERISTICS:

- 3.1 MATING FORCE:3.57kg MAX
- 3.2 UNMATED FORCE:1.02kg MIN
- 3.3 DURABILITY:MANDATORY:5,000 CYCLES

4. PLATING

4.1 TERMINAL:

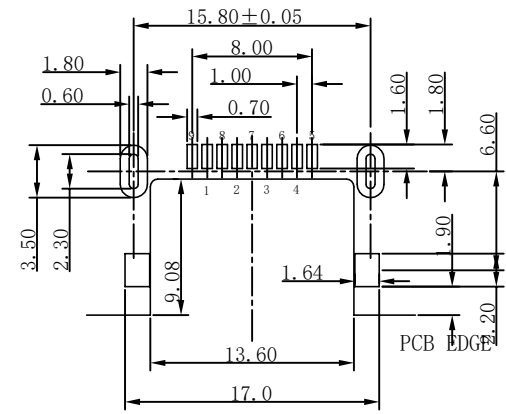
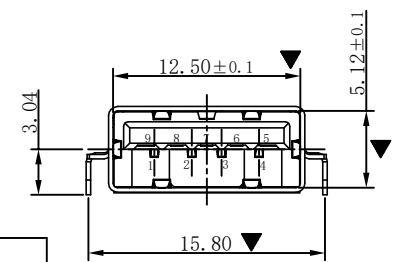
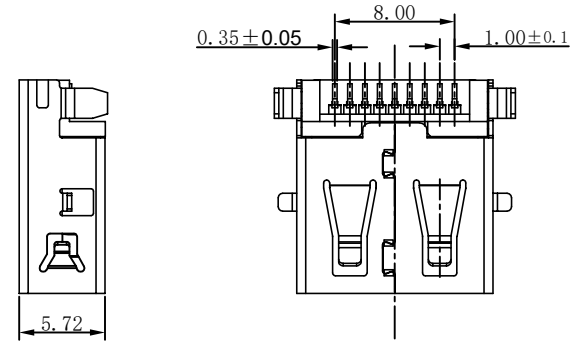
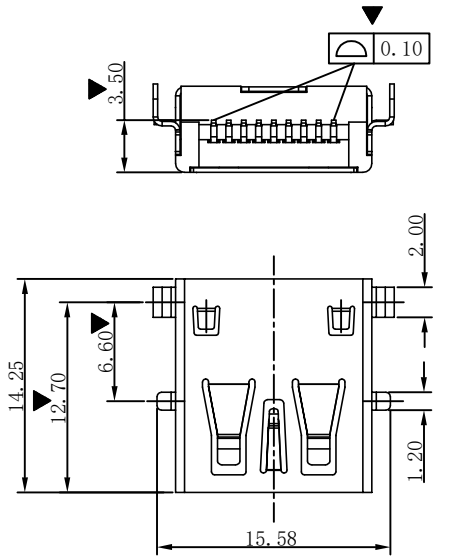
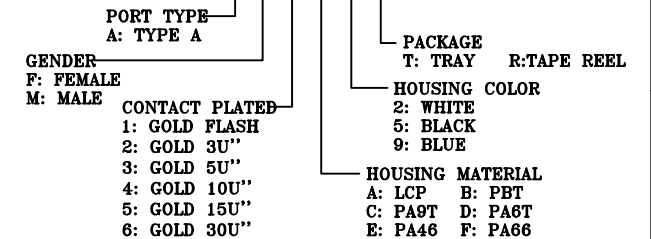
- 50u" MIN NICKEL ALL OVER
- 100u"MIN Tin ON SOLDER AREA
- (1~30)u"Au ON CONTACT AREA

4.2 SHELL:100u"MIN. NICEL ALL OVER

5. "▼" FOR MAJOR DIM

PART NO. INFORMATION

U03-A F X A X X -5003 -V2



RECOMMENDED PCBA LAYOUT
(TOLERANCE+±0.05)

Pin NUMBER	SIGNAL NAME
1	VBUS
2	D-
3	D+
4	GND
5	StdA_SSRX-
6	StdA_SSRX+
7	GND_DRAIN
8	StdA_SSTX-
9	StdA_SSTX+
Shell	Shield

Bestcreate Technology Limited

TOLERANCES UNLESS OTHERWISE SPECIFIED:			
X.	± 0.30	X.*	± 3'
.X	± 0.20	.X*	± 2'
.XX	± 0.15	.XX*	± 1'

Website: www.bsc-elec.com
E-mail: bestcreate@bsc-elec.com

DESIGN:	I. L	DATE:	2017. 3. 1
CHECKED:	C. W	DATE:	2017. 3. 1
APPROVED:	C. W	DATE:	2017. 3. 1

TITLE: USB 3.0 AF沉板 SMT 无卷边方脚长1.80		
MATERILA:	PART NO: U03-AFXAXX-5003-V2	SIZE: A4
FINSH:	DWG NO: U03-AFXAXX-5003-V2	SHEET: 1 OF 1

REV: A	UNIT: mm	SCALE: 1=1	QUALITY SYMBOLS
--------	----------	------------	-----------------

由 Autodesk 教育版产品制作