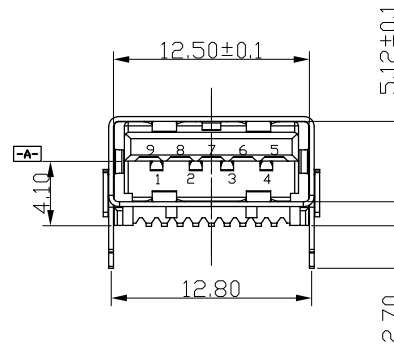
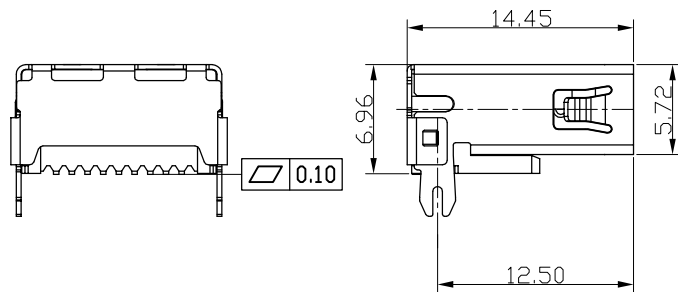
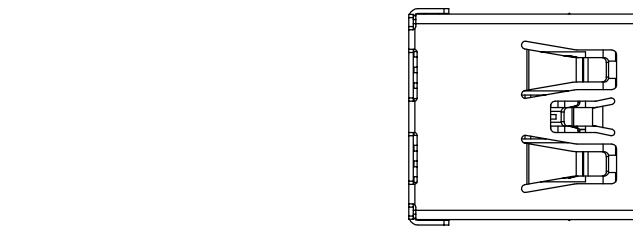


RoHS Compliant

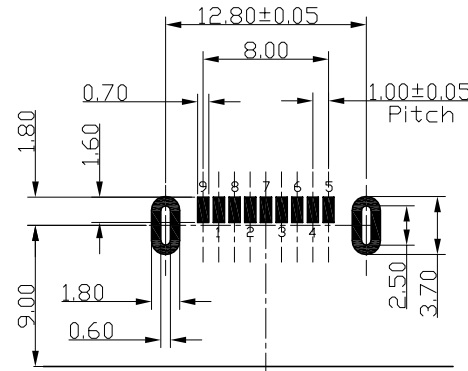
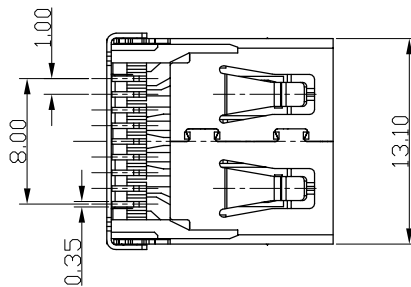
REVISIONS			
REV.	DESCRIPTION	DATE	DESIGN

NOTE:

1. MATERIAL:
 - 1.1 INSULATOR:HIGH TEMPERATURE PLASTIC
 - 1.2 CONTACT:BRONZE
 - 1.3 SHELL:BRASS
2. ELECTRICAL CHARACTERISTICS:
 - 2.1 CONTACT RESISTANCE:30mΩ MAXIMUM
 - 2.2 CONTACT CURRENT RATING:1.5A
 - 2.3 DIELECTRIC WITHSTANDING VOLTAGE:100 V AC R. M. S.
 - 2.4 INSULATION RESISTANCE 100 MEGOHMS MIN
 - 2.5 OPERATING TEMPERATURE:-40° C ~ 85° C
3. MECHANICAL CHARACTERISTICS:
 - 3.1 MATING FORCE:3.57kgf MAX
 - 3.2 UNMATED FORCE:1.02kgf MIN AFTER TEST
 - 3.3 DURABILITY MANDATORY:1,500 CYCLES
4. PLATING
 - 4.1 TERMINAL:
 - 50u" MIN NICKEL ALL OVER
 - 80u"MIN Tin ON SOLDER AREA
 - (1~30)u"Au ON CONTACT AREA
 - 4.2 SHELL:50u"MIN. NICEL ALL OVER



Pin NUMBER	SIGNAL NAME
1	VBUS
2	D-
3	D+
4	GND
5	StdA_SSRX-
6	StdA_SSRX+
7	GND_DRAIN
8	StdA_SSTX-
9	StdA_SSTX+
ShellShield	



PCB EDGE
RECOMMENDED PCB LAYOUT
TOLERANCES: ±0.05

PART NO. INFORMATION

U03-A F X A X X - 3006

- GENDER: F: FEMALE, M: MALE
- PORT TYPE: B: TYPE A
- CONTACT PLATED: 1: GOLD FLASH, 2: GOLD 3U", 3: GOLD 5U", 4: GOLD 10U", 5: GOLD 15U", 6: GOLD 30U"
- HOUSING MATERIAL: A: LCP, B: PBT, C: PA9T, D: PA6T, E: PA46, F: PA66
- HOUSING COLOR: 2: WHITE, 5: BLACK, 9: BLUE
- PACKAGE: T: TRAY, R: TAPE REEL

Bestcreate Technology Limited

TOLERANCES UNLESS OTHERWISE SPECIFIED:

X.	± 0.50	X.*	± 3*
.X	± 0.30	.X*	± 2*
.XX	± 0.20	.XX*	± 1*

Website:www.bsc-elec.com
Email:bestcreate@bsc-elec.com

DESIGN: I. L DATE: 2017. 3. 1

CHECKED: C. W DATE: 2017. 3. 1

APPROVED: C. W DATE: 2017. 3. 1

TITLE: USB 3.0 AF板上SMT短体L14.45无卷边 加长鱼叉脚

MATERIAL:	PART NO: U03-AFXAXX-3006	SIZE: A4
FINISH:	DWG NO: U03-AFXAXX-3006	

REV: A	UNIT mm	SCALE 1=1	QUALITY SYMBOLS
--------	---------	-----------	-----------------