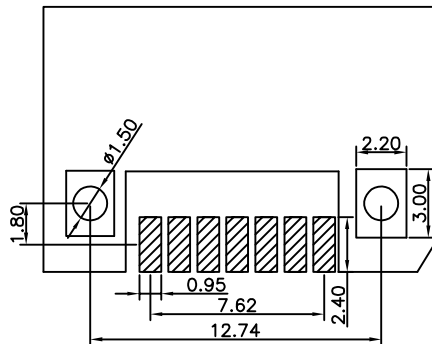
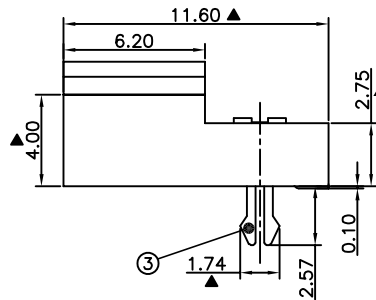
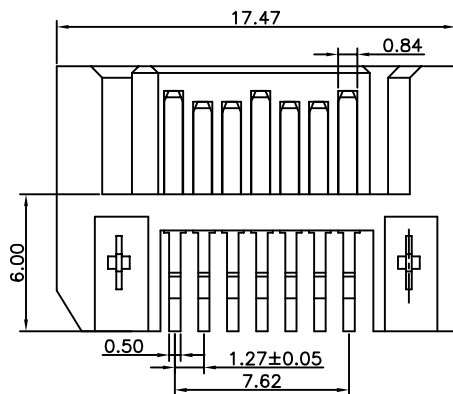
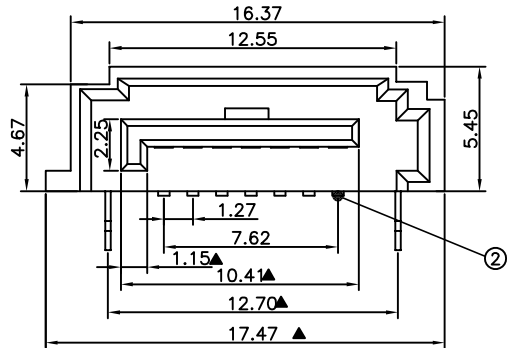
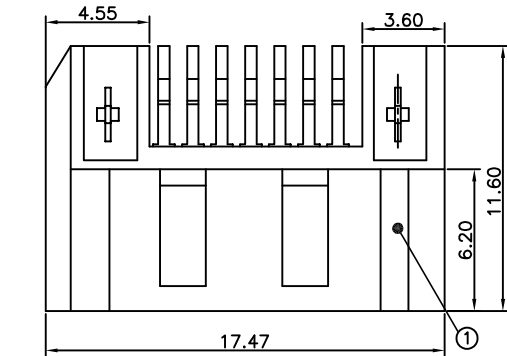


RoHS Compliant

REVISIONS			
REV.	DESCRIPTION	DATE	DESIGN



RECOMMEND PCB LAYOUT
PCB TOLERANCE: ±0.05

SPECIFICATION:

1.MATERIAL:

HOUSING:LCP E130i UL 94V-0
COLOR:BLACK
CONTACT:BRASS C2680-H,T=0.25mm
PEG:BRASS C2680R-H,T=0.30mm

2.FINISH:

CONTACT:1u" GOLD/TIN PLATING ON CONTACT AREA
100u" MIN. TIN PLATING ON SOLDER TAILS
50u" MIN. NICKEL UNDERPLATING OVERALL
PEG:100u" MIN. TIN PLATING ON SOLDER TAILS
50u" MIN. NICKEL UNDERPLATING OVERALL

PART NO. INFORMATION

S700 - M X A 5 T -004

GENDER
F: FEMALE
M: MALE

CONTACT PLATED
1: GOLD FLASH/TIN
2: 15U" GOLD/TIN
3: 30U" GOLD/TIN

PACKAGE
T: TRAY
R: TAPE REEL
HOUSING COLOR
5: BLACK
HOUSING MATERIAL
A: LCP

NO.	DESCRIPTION	MATERIAL	COLOR	REMARK
3	Board lock	Brass C2680		Gold/Ni Plated
2	Terminal	Brass C2680		Gold/Tin Plated
1	Housing	High Temp	Black	UL 94V-0

Bestcreate Technology Limited

TOLERANCES UNLESS OTHERWISE SPECIFIED:

X.	± 0.30	X.*	± 3*
.X	± 0.20	.X*	± 2*
.XX	± 0.15	.XX*	± 1*

Website: www.bsc-elec.com
E-mail: bestcreate@bsc-elec.com

DESIGN: I.L DATE: 2017.3.1

CHECKED: C.W DATE: 2017.3.1

APPROVED: C.W DATE: 2017.3.1

TITLE: SATA 7P 公座 三面包 SMT型

MATERIAL: FINISH: PART NO: S700-MXA5T-004 SIZE: A4

DWG NO: S700-MXA5T-004 SHEET: 1 OF 1

REV: A UNIT mm SCALE 1=1 QUALITY SYMBOLS