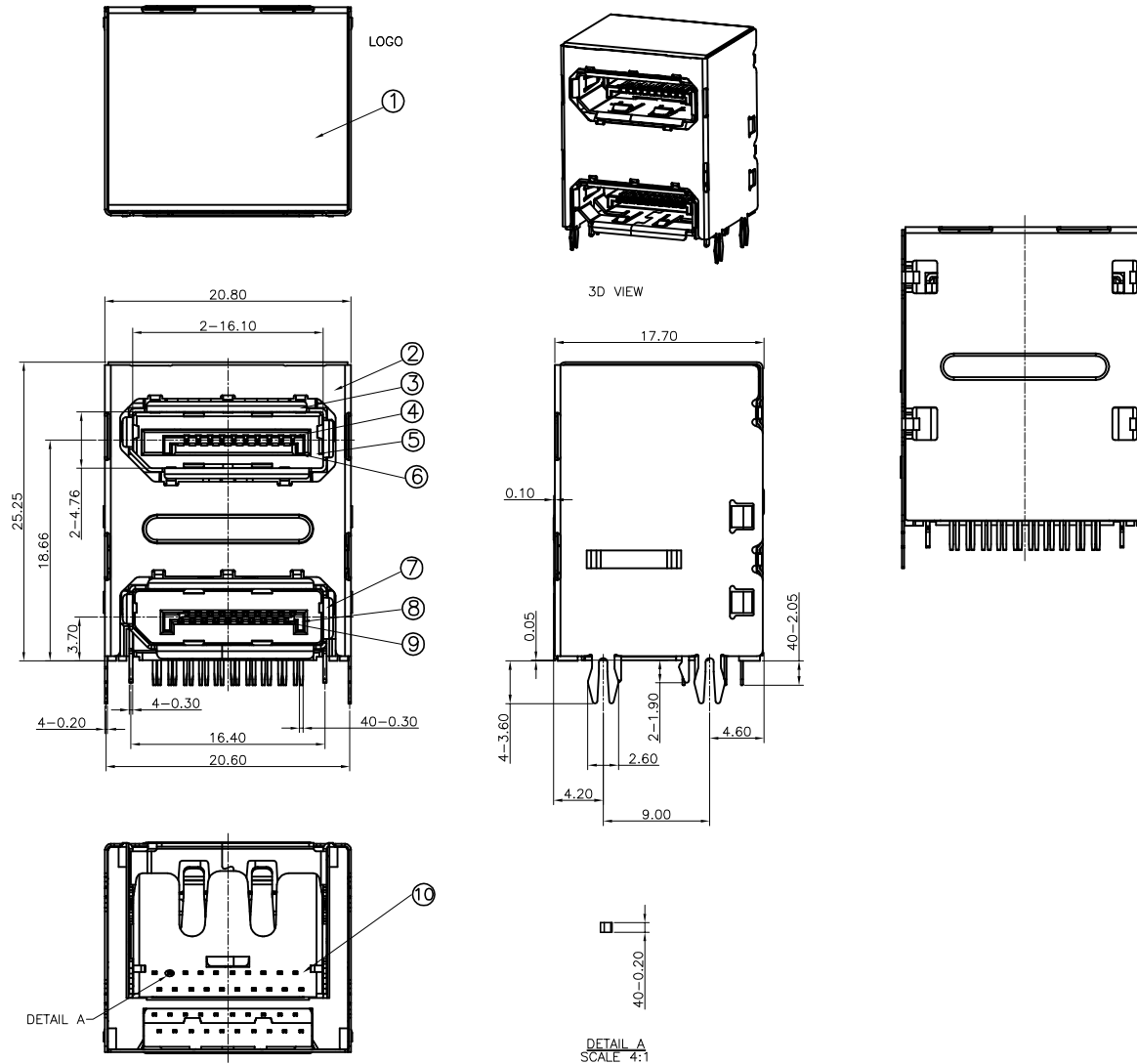


RoHS Compliant

REVISIONS			
REV.	DESCRIPTION	DATE	DESIGN

NOTE:

1. MECHANICAL:
 - 1.1 INSERTION FORCE:44.1N MAX
 - 1.2 WITHDRAWAL FORCE:9.8N MIN,39.2N MAX
 - 1.3 DURABILITY:1000CYCLES
2. ELECTRICAL:
 - 2.1 CONTACT CURRENT RATING:0.5A MAX
 - 2.2 VOLTAGE RATING:40V AC(RMS)
 - 2.3 WITHSTANDING VOLTAGE(MATED):300V AC(RMS)
 - 2.4 INSULATION RESISTANCE(MATED):150V DC
 - 2.5 INSULATION RESISTANCE: 100MΩ; MIN.
 - 2.6 CONTACT RESISTANCE:30mΩ MAX
3. ENVIRONMENTAL:
 - 3.1 OPERATING TEMPERATURE:-40°C TO +85°C
 - 3.2 HUMIDITY:85% RH MAX
4. RECOMMENDED PROCESS:
 - 4.1 WAVE SOLDER PEAK TEMPERATURE 270°C 10SEC MAX



PART NO. INFORMATION

DP09- F X X 5 T - 013

- GENDER:
 - F: FEMALE
 - M: MALE
- CONTACT PLATED:
 - 1: GOLD FLASH
 - 2: GOLD 3U"
 - 3: GOLD 5U"
 - 4: GOLD 10U"
 - 5: GOLD 15U"
 - 6: GOLD 30U"
- PACKAGE:
 - R: TAPE REEL T-TRAY
- HOUSING COLOR:
 - 2: WHITE
 - 5: BLACK
 - 9: NATURE
- HOUSING MATERIAL:
 - A: LCP B: PBT
 - C: PA9T D: PA6T
 - E: PA46 F: PA66

Bestcreate Technology Limited

TOLERANCES UNLESS OTHERWISE SPECIFIED:

.X	± 0.35	X.*	± 2*
.XX	± 0.25	.X*	± 1*
.XXX	± 0.15	.XX*	± 0.5*

Website: www.bsc-elec.com
 Email: bestcreate@bsc-elec.com

DESIGN: I.L DATE: 2017.3.1

CHECKED: C.W DATE: 2017.3.1

APPROVED: C.W DATE: 2017.3.1

TITLE: DISPLAYPORT FEMALE CONNECTOR SMT TYPE, R/A

MATERILA:	PART NO: DP09-FXX5T-013	SIZE: A4
FINSH:	DWG NO: DP09-FXX5T-013	

REV: A	UNIT mm	SCALE 1=1	QUALITY SYMBOLS
--------	---------	-----------	-----------------

