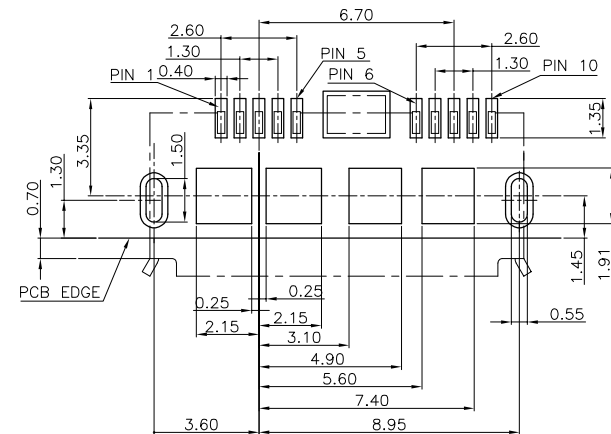
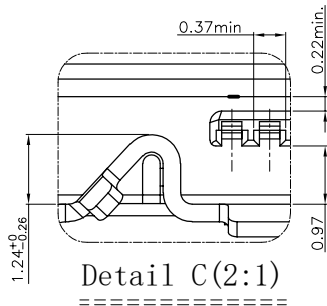
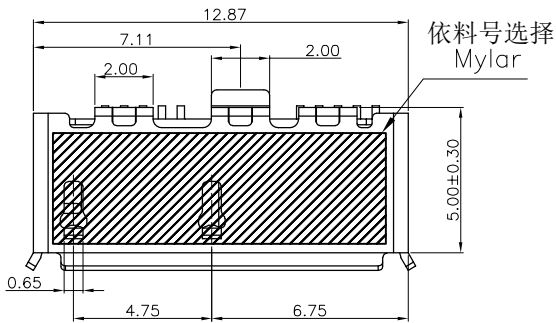


RoHS Compliant

REVISIONS			
REV.	DESCRIPTION	DATE	DESIGN



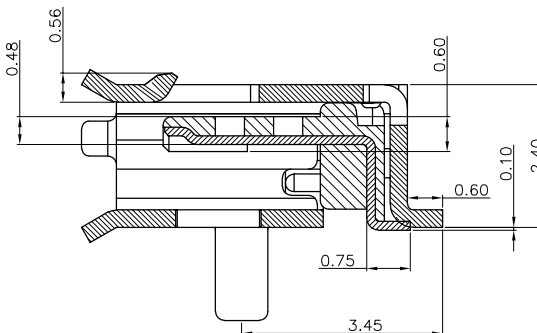
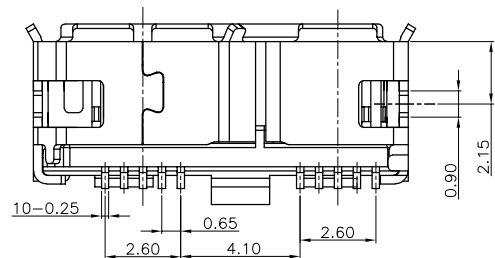
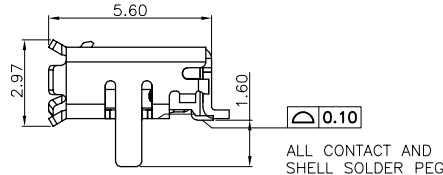
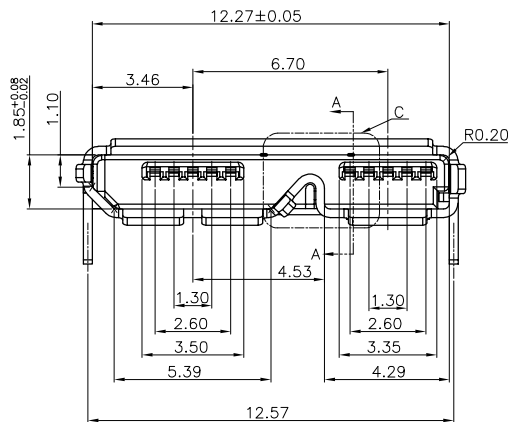
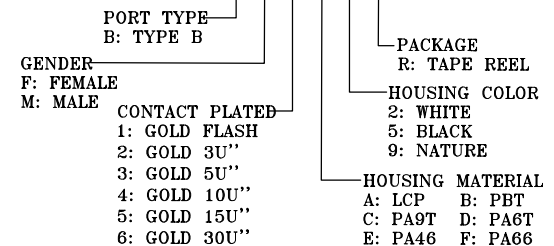
RECOMMENDED P.C.B LAYOUT

Notes:

- Material:
Insulator : Thermoplastic G.F. UL94V-0
Contacts : Copper Alloy
Shell : Metal
- Environmental :
-55°C to +105°C
- Finish
Shell : 50u"min. Solderable Ni
Contacts : 1~30u" min. Gold on mating area.
100u" min. Tin on the tails.

PART NO. INFORMATION

U04-B F X X 5 R - 003



SECTION "A-A"(2:1)

3	SHELL	1	SUS304	50u"min. Solderable Ni
2	TERMINAL	10	C2680-H	SEE NOTE
1	Molding-ASSY	1	LCP	UL94V-0; COLOR:BLACK
NO.	TITLE	Q'TY	MATERIAL	REMARK

Bestcreate Technology Limited

TOLERANCES UNLESS OTHERWISE SPECIFIED:

X.	± 0.50	X'	± 3'
.X	± 0.25	.X'	± 2'
.XX	± 0.15	.XX'	± 1'

Website: www.bsc-elec.com

Email: bestcreate@bsc-elec.com

DESIGN:

DATE:

I. L 2017. 3. 1

CHECKED:

DATE:

C. W 2017. 3. 1

APPROVED:

DATE:

C. W 2017. 3. 1

TITLE: MICRO USB 3.0母头
带SMT型 加强脚

MATERILA:

PART NO:

U04-BFXX5R-003

SIZE: A4

FINSH:

DWG NO:

U04-BFXX5R-003

REV:

A

UNIT

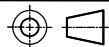
mm

SCALE

1=1

QUALITY

SYMBOLS



1

2

3

4

5

6

7

8