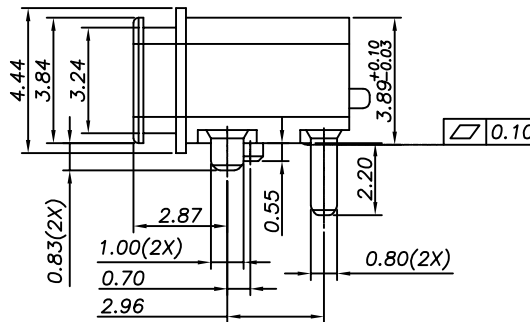
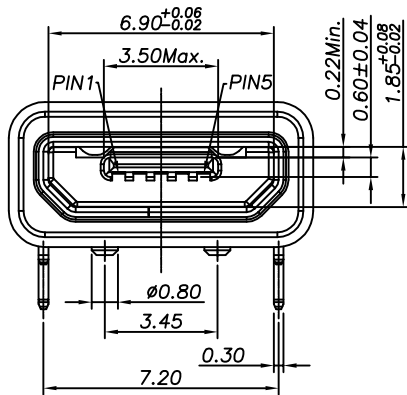
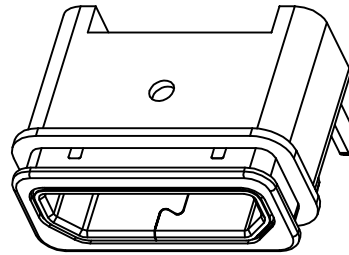
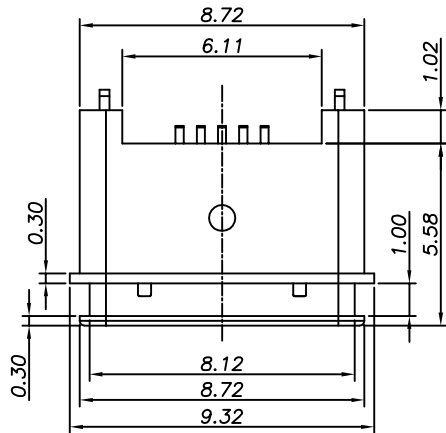


RoHS Compliant

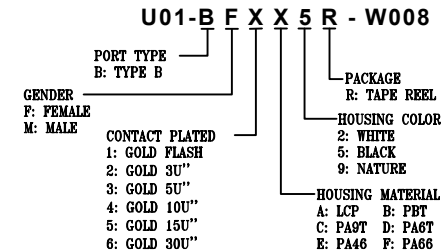
REVISIONS			
REV.	DESCRIPTION	DATE	DESIGN



NOTE:

- MATERIAL SPECIFICATION:
 - HOUSING: LCP, UL94 V-0 BLACK.
 - CONTACTS: BRASS (C2680)
 - FRONT SHELL: STAINLESS STEEL (SUS304)
- PLATING SPECIFICATION:
 - TERMINAL:
 - Ni 50u" MIN. UNDER PLATED OVER ALL.
 - GOLD FLASH PLATED ON THE FUNCTIONAL AREA OF CONTACT.
 - Au 1u" PLATED ON THE SOLDER AREA
 - FRONT SHELL:
 - Ni 30u" MIN. UNDER PLATED OVER ALL.
 - MATTE SN 40u" MIN. PLATED OVER ALL
- MECHANICAL PERFORMANCE,
 - INSERTION FORCE: 3.5Kgf MAX
 - REMOVAL FORCE: 0.8kgf MIN
 - DURABILITY: 10000 CYCLES.
- ELECTRICAL PERFORMANCE,
 - CURRENT RATING:
 - VBUS & GND PINS: 1.8A MAX.
 - OTHER PINS: 0.5A MAX.
 - LLCR:
 - VBUS & GND PINS AND OTHER PINS: 30mΩ/PIN MAX.
 - SHIELD: 50mΩ/MAX.
 - LLCR MAX. CHANGE OF ALL PINS: 10mΩ.
 - INSULATION RESISTANCE: 100MΩ MIN
 - DIELECTRIC WITHSTAND VOLTAGE, AC 100V FOR 1 MINUTE.
- ENVIRONMENTAL PERFORMANCE:
 - OPERATING TEMPERATURE: -25°C ~ +85°C.
- IR REFLOW:
 - THE PEAK TEMPERATURE ON THE BOARD SHALL BE MAINTAINED FOR 10 SECONDS AT 260°C.

PART NO. INFORMATION



Bestcreate Technology Limited

TOLERANCES UNLESS OTHERWISE SPECIFIED:

.X	± 0.30	X.*	± 10°
.XX	± 0.20	.X.*	± 8
.XXX	± 0.10	.XX.*	± 5°

Website: www.bsc-elec.com
E-mail: bestcreate@bsc-elec.com

DESIGN: I. L DATE: 2017/3/1

CHECKED: C. W DATE: 2017/3/1

APPROVED: C. W DATE: 2017/3/1

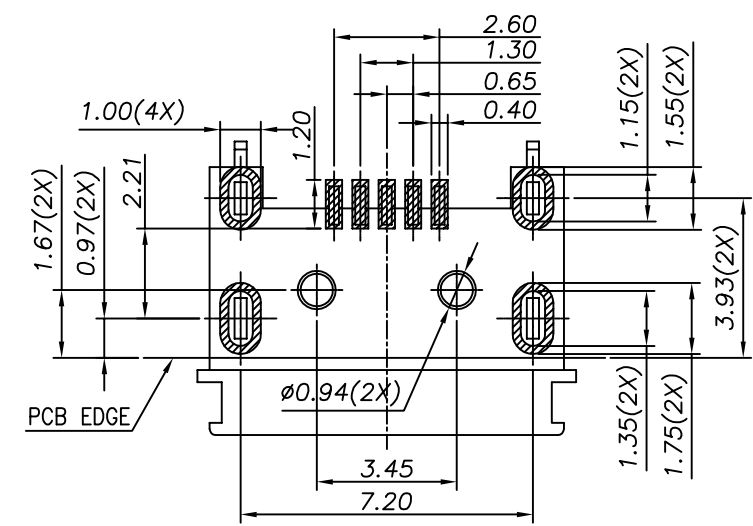
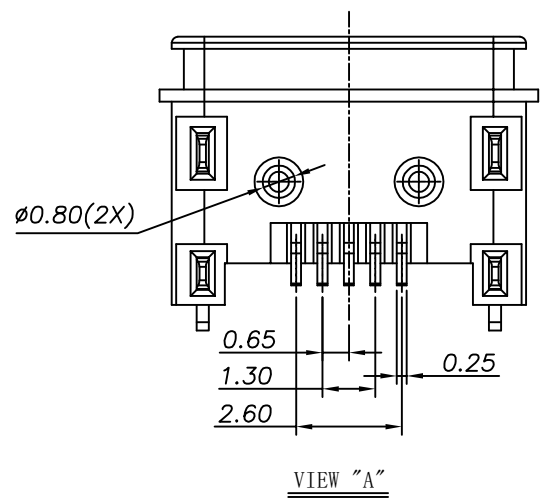
TITLE: WATERPROOF MICRO USB 5P FEMALE CONNECTOR SMT

MATERIAL:	PART NO: U01-BFXX5R-W008	SIZE: A4
FINISH:	DWG NO: U01-BFXX5R-W008	SHEET: 1 OF 1

REV: A	UNIT: mm	SCALE: 1=1	QUALITY SYMBOLS
--------	----------	------------	-----------------

RoHS Compliant

REVISIONS			
REV.	DESCRIPTION	DATE	DESIGN



MICRO USB PIN ASSIGNMENTS

PIN NUMBER	SIGNAL NAME
Pin1	VBUS
Pin2	D-
Pin3	D+
Pin4	ID
Pin5	GND

RECOMMENDED PCB LAYOUT(TOP VIEW)
DEFAULT TOLERANCE:±0.05

Bestcreate Technology Limited

TOLERANCES UNLESS OTHERWISE SPECIFIED:			
.X	± 0.30	X.*	± 10°
.XX	± 0.20	.X*	± 8°
.XXX	± 0.10	.XX*	± 5°

Website: www.bsc-elec.com
E-mail: bestcreate@bsc-elec.com

DESIGN:	DATE:
I. L	2017/3/1
CHECKED:	DATE:
C. W	2017/3/1
APPROVED:	DATE:
C. W	2017/3/1

TITLE:		
WATERPROOF MICRO USB 5P FEMALE CONNECTOR SMT		
MATERILA:	PART NO:	SIZE:
	U01-BFXX5R-W009	A4
FINSH:	DWG NO:	SHEET:
	U01-BFXX5R-W009	1 OF 1

REV:	UNIT	SCALE	QUALITY SYMBOLS
A	mm	1=1	