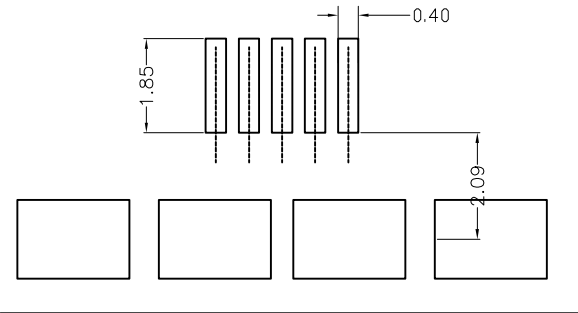
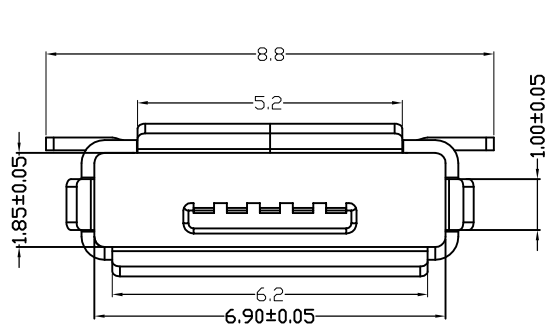


RoHS Compliant

REVISIONS			
REV.	DESCRIPTION	DATE	DESIGN



PCB LAYOUT

NOTE:

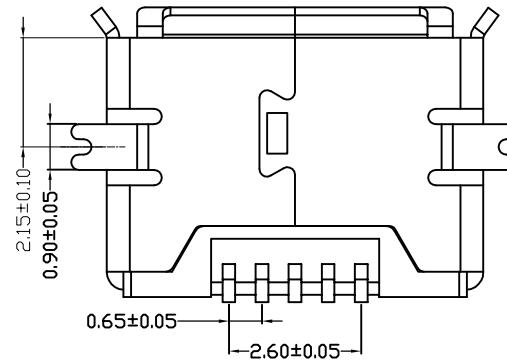
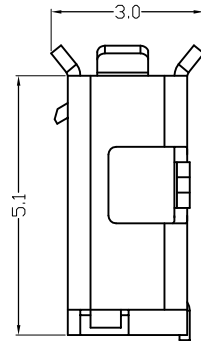
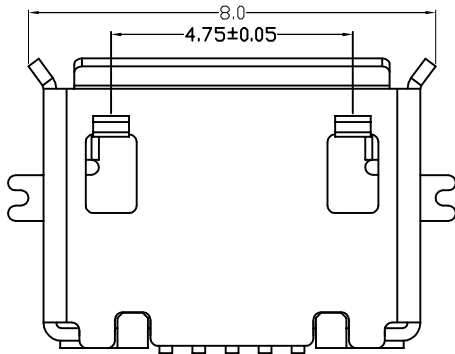
1. SPECIFICATION:

- 1-1. MATING FORCE: 35N MAX.
- 1-2. UNMATING FORCE: 10N MIN. INITIAL 8-20N AFTER 3000 CYCLES
- 1-3. RATED CURRENT: 1.0A
- 1-4. RATED VOLTAGE: 30V
- 1-5. DURABILITY: 3000 CYCLES MIN.
- 1-6. WITHSTAND VOLTAGE: 100V AC MIN.
- 1-7. CONTACT RESISTANCE: 30mΩ MAX. INITIAL; 40mΩ MAX AFTER 3000 CYCLES
- 1-8. INSULATION RESISTANCE: 100MΩ MIN
- 1-9. WORKING TEMPERATURE: -30° TO +80°

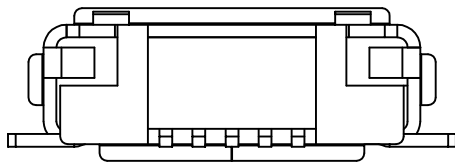
2. MATERIAL:

- 2.1 HOUSING: LCP UL94V-0
  - 2.2 TERMINAL: C2680R-H, NI BASE, AU1 μ"
  - 2.3 SHELL: SUS
3. ALL THE MATERIAL APPROVED RoHS

B



C



PART NO. INFORMATION

**U01-AB F X X 5 R - 902**

- PORT TYPE: AB: TYPE AB
- GENDER: F: FEMALE, M: MALE
- CONTACT PLATED: 1: GOLD FLASH, 2: GOLD 3U", 3: GOLD 5U", 4: GOLD 10U", 5: GOLD 15U", 6: GOLD 30U"
- PACKAGE: R: TAPE REEL
- HOUSING COLOR: 2: WHITE, 5: BLACK, 9: NATURE
- HOUSING MATERIAL: A: LCP, B: PBT, C: PA9T, D: PA6T, E: PA46, F: PA66

D

**Bestcreate Technology Limited**

TOLERANCES UNLESS OTHERWISE SPECIFIED:

X.	± 0.30	X.*	± 3'
.X	± 0.25	.X*	± 2'
.XX	± 0.20	.XX*	± 1'

Website: [www.bsc-elec.com](http://www.bsc-elec.com)  
E-mail: [bestcreate@bsc-elec.com](mailto:bestcreate@bsc-elec.com)

DESIGN: I. L DATE: 2017/3/1

CHECKED: C. W DATE: 2017/3/1

APPROVED: C. W DATE: 2017/3/1

TITLE: Micro USB 5P AB FEMALE SMT CONNECTOR

MATERIAL: PART NO: U01-ABFXX5R-902 SIZE: A4

FINISH: DWG NO: U01-ABFXX5R-902 SHEET: 1 OF 1

REV: A UNIT mm SCALE 1=1 QUALITY SYMBOLS

1

2

3

4

5

6

7

8