

RoHS Compliant

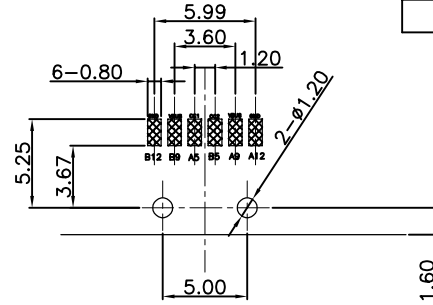
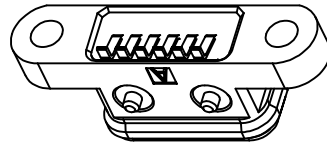
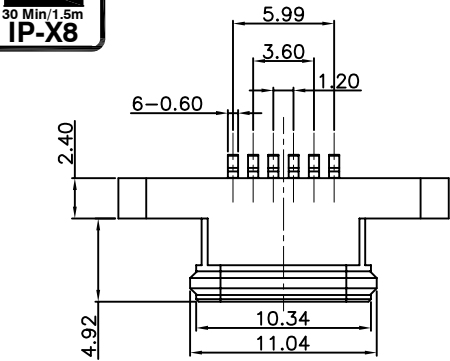


REVISIONS			
REV.	DESCRIPTION	DATE	DESIGN

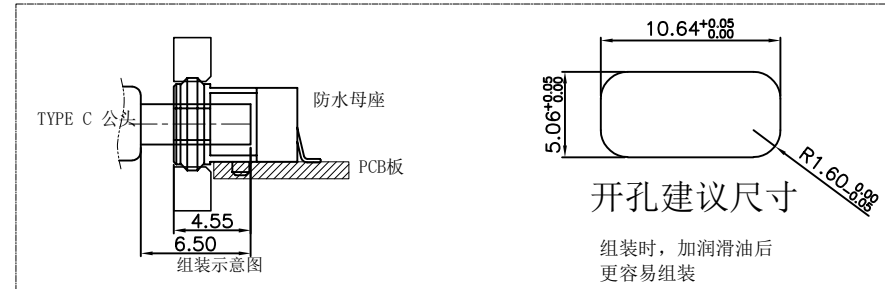
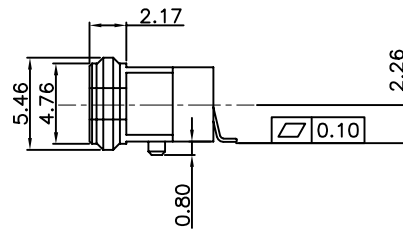
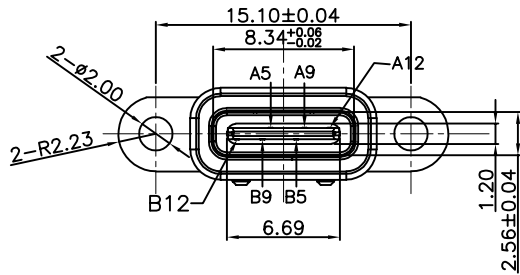
NOTES:

SPECIFICATION:

- CURRENT RATING: 3.0A MAX
- DIELECTRIC WITHSTAND VOLTAGE: 100VAC
- TEMPERATURE RANGE: -30 °C ~ 85 °C
- CONTACT RESISTANCE: 40 MILLIONHM MAX
- INSULATION RESISTANCE: 100 MEGOHMS MIN.
- INSERTION FORCE : 5N~20N
- UNMATING FORCE: 8N~20N
- DURABILITY:5,000 CYCLES



Recommended P.C.B. Layout
Unspecified tolerance: ±0.05
(Top view)

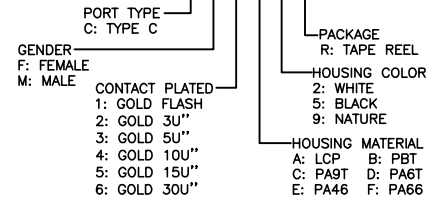


A5	CC1	B12	GND
A9	VBUS	B9	VBUS
A12	GND	B5	CC2
PIN	SIGNAL NAME	PIN	SIGNAL NAME

ITEM	PART NAME	Q' TY	FINISH	NOTE
4	Shell1	1	SUS301 Ni Plating T=0.25mm	Ni: 40"120u";
3	Housing2	1	LCP(G.F30%)	
2	Contact	5	Phosphor bronze C5210R-EH Au/Ni Plating T=0.20mm	Ni: 40"160u"; Au: CONTACT AREA: 3u", OTHER AREA: G/F
1	Housing	1	PA9T (G.F30%)	

PART NO. INFORMATION

U06-C F X X 5 R - W111



Bestcreate Technology Limited

TOLERANCES UNLESS OTHERWISE SPECIFIED:

X.	± 0.50	X.*	± 5"
.X	± 0.30	.X*	± 2"
.XX	± 0.10	.XX*	± 1"

Website: www.bsc-elec.com

Email: bestcreate@bsc-elec.com

DESIGN: I. L DATE:

CHECKED: C. W DATE:

APPROVED: C. W DATE:

TITLE: IPX8 WATERPROOF 6P USB C FEMALE CONNECTOR SMT TYPE

MATERILA: PART NO: U06-CFXX5R-W111 SIZE: A4

FINSH: DWG NO: U06-CFXX5R-W111 1 OF 1

REV: A UNIT mm SCALE 1=1 QUALITY SYMBOLS