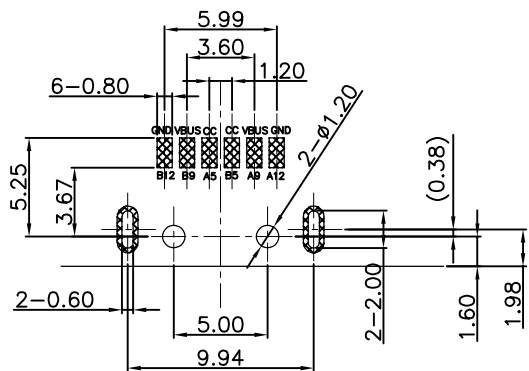
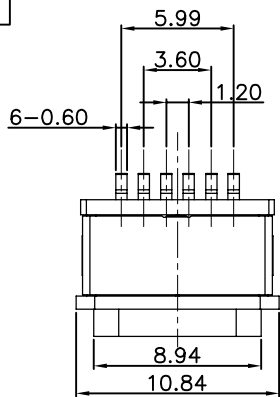
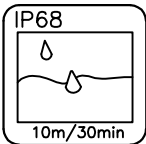
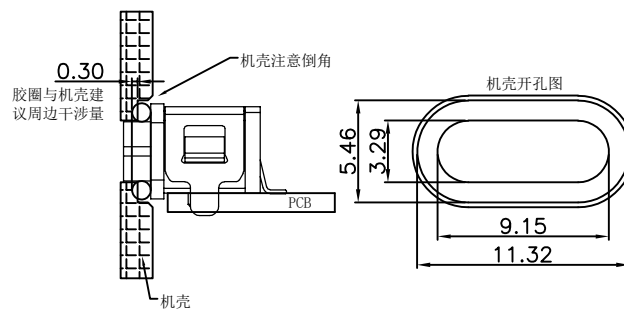


RoHS Compliant



Recommended P.C.B. Layout
Unspecified tolerance: ±0.05
(Top view)

REVISIONS			
REV.	DESCRIPTION	DATE	DESIGN



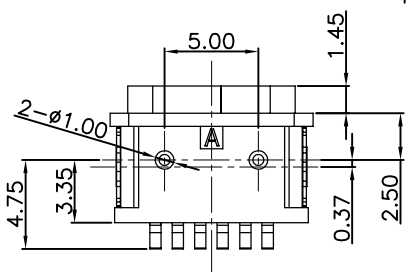
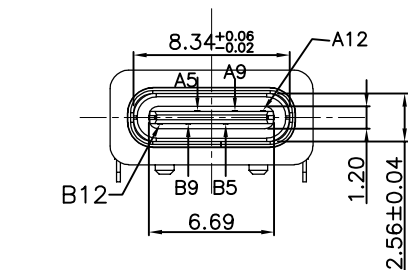
SPECIFICATION:

- CURRENT RATING: 3.0A MAX
- DIELECTRIC WITHSTAND VOLTAGE: 100VAC
- TEMPERATURE RANGE: -30 °C ~ 85 °C
- CONTACT RESISTANCE: 40 MILLIONHM MAX
- INSULATION RESISTANCE: 100 MEGOHMS MIN.
- INSERTION FORCE : 5N~20N
- UNMATING FORCE: 8N~20N
- DURABILITY:10,000 CYCLES
- WATER PROOFNESS:THIS PRODUCT IS BASED ON IPX8.

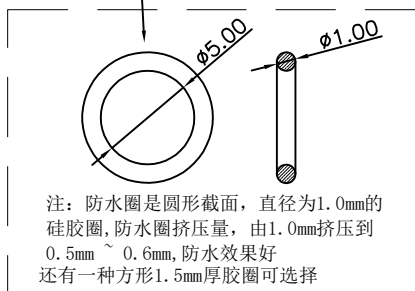
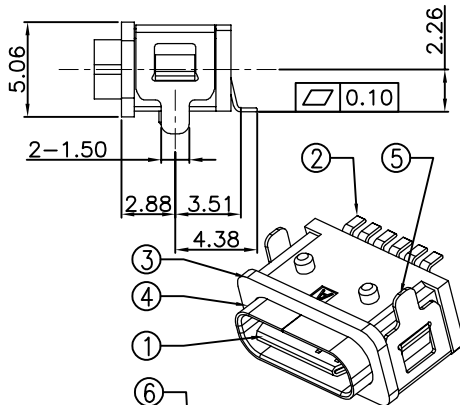
PART NO. INFORMATION

U06-C F X X 5 R - W088

- GENDER: F: FEMALE, M: MALE
- PORT TYPE: C: TYPE C
- CONTACT PLATED: 1: GOLD FLASH, 2: GOLD 3U'', 3: GOLD 5U'', 4: GOLD 10U'', 5: GOLD 15U'', 6: GOLD 30U''
- PACKAGE: R: TAPE REEL
- HOUSING COLOR: 2: WHITE, 5: BLACK, 9: NATURE
- HOUSING MATERIAL: A: LCP, B: PBT, C: PA9T, D: PA6T, E: PA46, F: PA66, G: PA10T



A5	CC1	B12	GND
A9	VBUS	B9	VBUS
A12	GND	B5	CC2
PIN	SIGNAL NAME	PIN	SIGNAL NAME



注: 防水圈是圆形截面, 直径为1.0mm的硅胶圈, 防水圈挤压量, 由1.0mm挤压到0.5mm ~ 0.6mm, 防水效果好
还有一种方形1.5mm厚胶圈可选择

ITEM	PART NAME	Q' TY	FINISH	NOTE
6	O-ring	1	SILICA GEL	BLACK
5	Shell2	1	SUS301 Ni Plating T=0.20mm	Ni:40~120u''
4	Shell1	1	SUS304 Ni Plating T=0.30mm	Ni:40~120u''
3	Housing2	1	PA10T(G.F30%)	
2	Contact	5	Phosphor bronze C5210R-EH Au/Ni Plating T=0.20mm	Ni:40~160u'' Au:CONTACT AREA:1u'', OTHER AREA:G/F
1	Housing	1	PA10T (G.F30%)	

Bestcreate Technology Limited

TOLERANCES UNLESS OTHERWISE SPECIFIED:

X.	± 0.50	X.'	± 5'
.X	± 0.30	.X'	± 2'
.XX	± 0.10	.XX'	± 1'

Website:www.bsc-elec.com
Email:bestcreate@bsc-elec.com

DESIGN:
I. L

DATE:

CHECKED:
C. W

DATE:

APPROVED:
C. W

DATE:

TITLE:

IPX8 WATERPROOF 6P USB C FEMALE
CONNECTOR SMT TYPE

MATERILA:

PART NO:
U06-CFX5R-W088

SIZE:
A4

FINSH:

DWG NO:
U06-CFX5R-W088

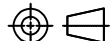
1 OF 1

REV:
A

UNIT
mm

SCALE
1=1

QUALITY
SYMBOLS



1

2

3

4

5

6

7

8