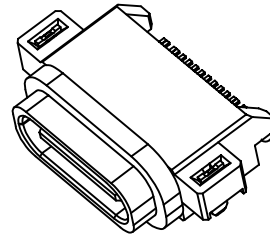
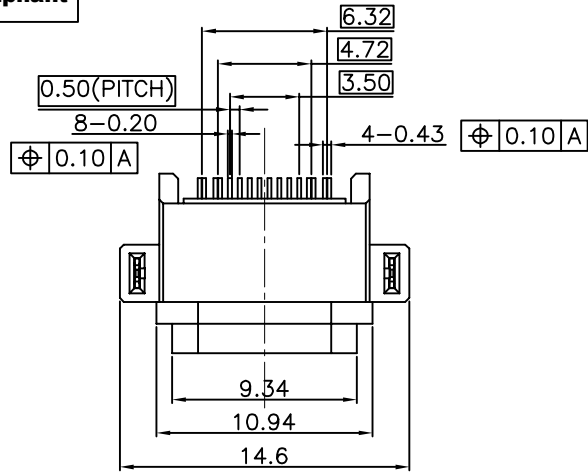


RoHS Compliant

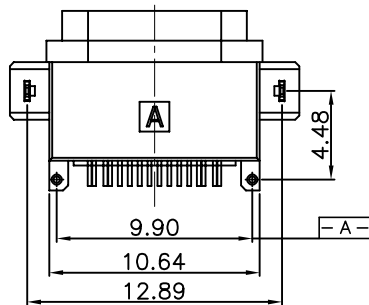
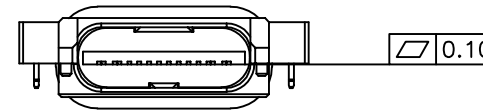
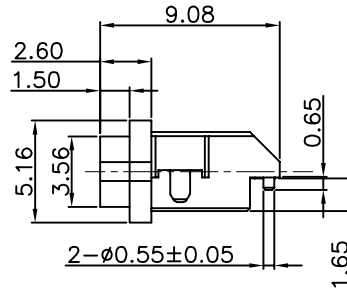
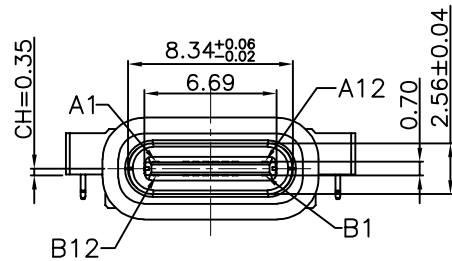
| REVISIONS |             |      |        |
|-----------|-------------|------|--------|
| REV.      | DESCRIPTION | DATE | DESIGN |
|           |             |      |        |



NOTES:

SPECIFICATION:

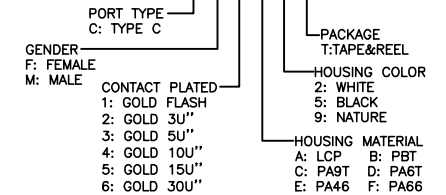
- CURRENT RATING: 3.0A MAX
- DIELECTRIC WITHSTAND VOLTAGE: 100VAC
- TEMPERATURE RANGE: -30 °C ~ 85 °C
- CONTACT RESISTANCE: 40 MILLIONHM MAX
- INSULATION RESISTANCE: 100 MEGOHMS MIN.
- INSERTION FORCE : 5N~20N
- UNMATING FORCE: 8N~20N
- DURABILITY:10,000 CYCLES



| ITEM | PART NAME | Q' TY | FINISH                                              |
|------|-----------|-------|-----------------------------------------------------|
| 3    | Shell     | 1     | PA9T (G.F30%)                                       |
| 2    | Contact   | 5     | Phosphor bronze C5191R-EH<br>Au/Ni Plating T=0.12mm |
| 1    | Housing   | 1     | LCP (G.F30%)                                        |

PART NO. INFORMATION

**U06-C F X X X X - W052**



**Bestcreate Technology Limited**

TOLERANCES UNLESS OTHERWISE SPECIFIED:

|      |        |       |        |
|------|--------|-------|--------|
| .X   | ± 0.30 | .X'   | ± 2'   |
| .XX  | ± 0.10 | .X''  | ± 1'   |
| .XXX | ± 0.05 | .X''' | ± 0.5' |

Website:www.bsc-elec.com  
Email:bestcreate@bsc-elec.com

DESIGN: I. L DATE:

CHECKED: C. W DATE:

APPROVED: C. W DATE:

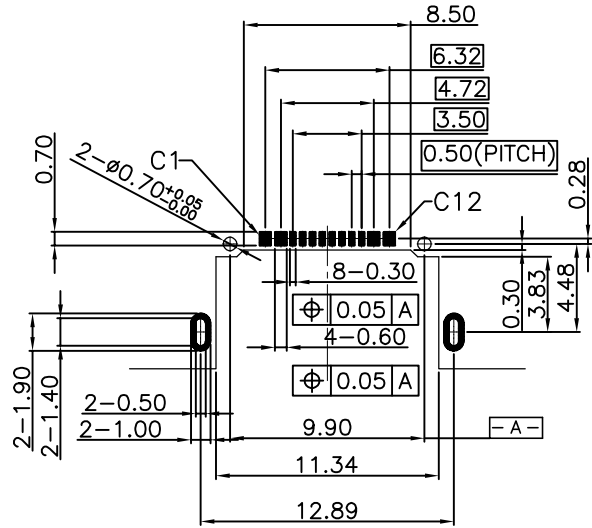
TITLE: IPX7 Waterproof 16P Type CF Connector SMT

| MATERILA: | PART NO:        | SIZE:  |
|-----------|-----------------|--------|
|           | U06-CFXX5X-W052 | A4     |
| FINSH:    | DWG NO:         | 1 OF 1 |
|           | U06-CFXX5X-W052 |        |

| REV: | UNIT | SCALE | QUALITY SYMBOLS |
|------|------|-------|-----------------|
| A    | mm   | 1=1   |                 |

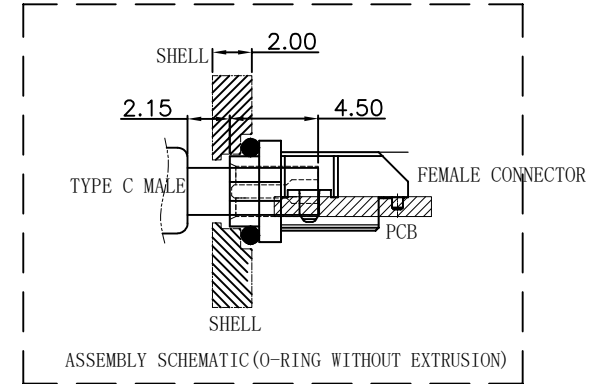
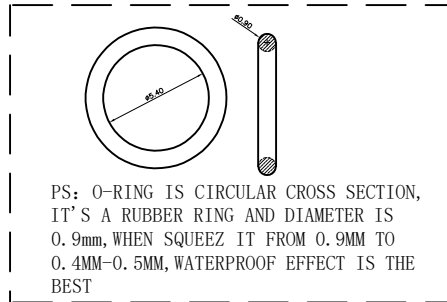
RoHS Compliant

| REVISIONS |             |      |        |
|-----------|-------------|------|--------|
| REV.      | DESCRIPTION | DATE | DESIGN |
|           |             |      |        |



RECOMMENDED PCB LAYOUT(TOP VIEW)

THICKNESS T=1.0mm  
DEFAULT TOLERANCE+/-0.05



INTERFACE(FRONT VIEW)

|     |     |     |      |      |     |     |      |      |     |     |     |
|-----|-----|-----|------|------|-----|-----|------|------|-----|-----|-----|
| A1  | A2  | A3  | A4   | A5   | A6  | A7  | A8   | A9   | A10 | A11 | A12 |
| GND |     |     | VBUS | CC1  | DP1 | DN1 | SBU1 | VBUS |     |     | GND |
| GND |     |     | VBUS | SBU2 | DN2 | DP2 | CC2  | VBUS |     |     | GND |
| B12 | B11 | B10 | B9   | B8   | B7  | B6  | B5   | B4   | B3  | B2  | B1  |

PIN ASSIGNMENT

|             |        |       |      |     |     |     |     |     |      |     |       |        |
|-------------|--------|-------|------|-----|-----|-----|-----|-----|------|-----|-------|--------|
| PIN NO.     | A1&B12 | A4&B9 | B8   | A5  | B7  | A6  | A7  | B6  | A8   | B5  | A9&B4 | A12&B1 |
| SINGAL NAME | GND    | VBUS  | SBU2 | CC1 | DN2 | DP1 | DN1 | DP2 | SBU1 | CC2 | VBUS  | GND    |
| PCB PAD NO. | C1     | C2    | C3   | C4  | C5  | C6  | C7  | C8  | C9   | C10 | C11   | C12    |

**Bestcreate Technology Limited**

TOLERANCES UNLESS OTHERWISE SPECIFIED:

|      |        |      |        |
|------|--------|------|--------|
| .X   | ± 0.30 | X.*  | ± 2*   |
| .XX  | ± 0.10 | .X*  | ± 1*   |
| .XXX | ± 0.05 | .XX* | ± 0.5* |

Website:www.bsc-elec.com  
Email:bestcreate@bsc-elec.com

DESIGN: I. L DATE:

CHECKED: C. W DATE:

APPROVED: C. W DATE:

TITLE:

IPX7 Waterproof 16P Type CF Connector SMT

MATERILA:

PART NO:  
U06-CFXX5X-W052

SIZE:  
A4

FINISH:

DWG NO:  
U06-CFXX5X-W052

2 OF 2

REV: A UNIT mm SCALE 1=1 QUALITY SYMBOLS