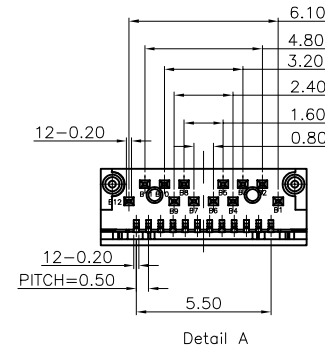
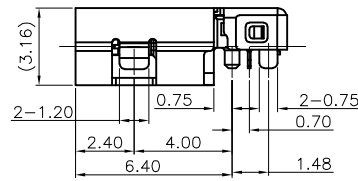
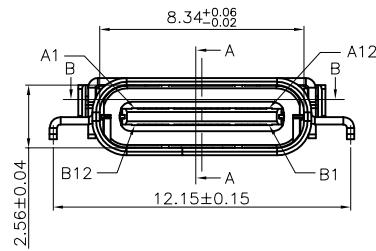
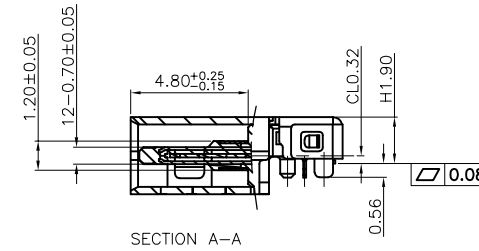
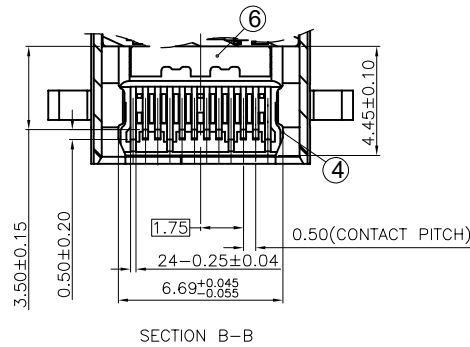
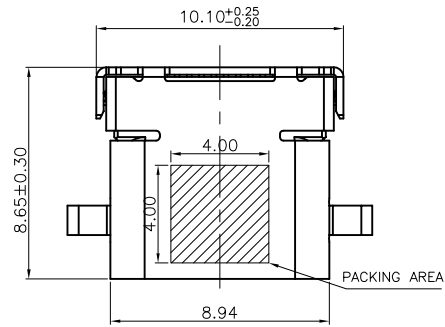


RoHS Compliant

REVISIONS			
REV.	DESCRIPTION	DATE	DESIGN



PART NO. INFORMATION

**U06-C F X X 5 R - 075-V1**

- GENDER: F: FEMALE, M: MALE
- PORT TYPE: C: TYPE C
- CONTACT PLATED: 1: GOLD FLASH, 2: GOLD 3U'', 3: GOLD 5U'', 4: GOLD 10U'', 5: GOLD 15U'', 6: GOLD 30U''
- PACKAGE: R: TAPE REEL
- HOUSING COLOR: 2: WHITE, 5: BLACK, 9: NATURE
- HOUSING MATERIAL: A: LCP, B: PBT, C: PA9T, D: PA6T, E: PA46, F: PA66

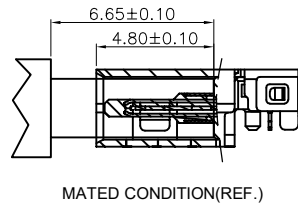
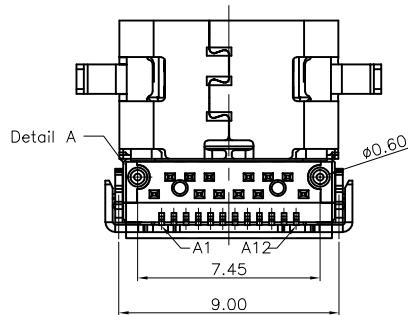


TABLE:

NO	PART	QTY	Material
1	SHELL	1	STAINLESS STEEL 304 T=0.30mm, Ni 30u'' MIN PLATED
2	EMC Plate	1	STAINLESS STEEL 301 T=0.10mm ,CLEAR ONLY
3	SHIELDING PLATE	1	STAINLESS STEEL 301 T=0.15mm, CLEAR ONLY
4	CONTACT	24	COPPER STEEL C18150,N 50u'' MIN. UNDER PLATED OVER ALL Au PLATED ON THE FUNCTIONAL AREA OF CONTACT. PLATING Th. OF THE SOLDER AREA
5	HOUSING	1	LCP BLACK UL94 V-0

**Bestcreate Technology Limited**

TOLERANCES UNLESS OTHERWISE SPECIFIED:

X.	± 0.30	X.'	± 5'
.X	± 0.25	.X'	± 2'
.XX	± 0.10	.XX'	± 1'

DESIGN: I. L DATE:

CHECKED: C. W DATE:

APPROVED: C. W DATE:

TITLE: USB 3.1 C FEMALE CONNECTOR SINGLE SHELL SINK  
CLO.32 L=8.65

MATERILA:	PART NO: U06-CFXX5R-075-V1	SIZE: A4
FINSH:	DWG NO: U06-CFXX5R-075-V1	1 OF 3

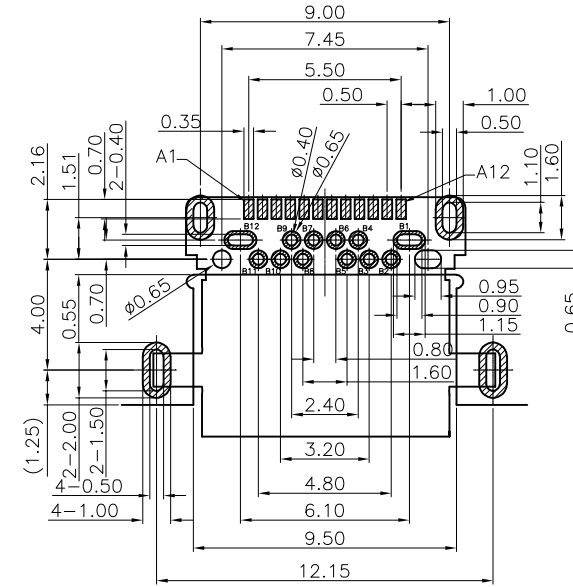
Website:www.bsc-elec.com  
Email:bestcreate@bsc-elec.com

REV: A	UNIT mm	SCALE 1=1	QUALITY SYMBOLS
--------	---------	-----------	-----------------

RoHS Compliant

REVISIONS			
REV.	DESCRIPTION	DATE	DESIGN

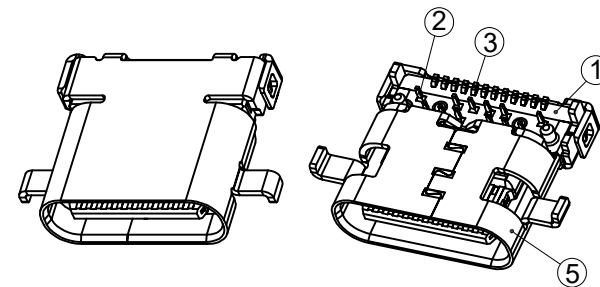
- NOTE:
- ELECTRICAL PERFORMANCE,
    - CURRENT RATING:5 AMPS. FOR TOTAL VBUS/GND PINS;  
1.25AMPS FOR CC PIN,0.25 AMPS. FOR ALL OTHER CONTACT.
    - VOLTAGE RATING:20V DC/AC (RMS. MAX)
    - LLCR:.  
VBUS & GND PINS AND OTHER PINS: 40MΩ/PIN MAX.  
SHIELD:50MΩ/MAX.  
LLCR MAX. CHANGE OF ALL PINS: 10MΩ.
    - INSULATION RESISTANCE: 100MΩ MIN
    - DIELECTRIC WITHSTAND VOLTAGE,AC 100V FOR 1 MINUTE.
  - MECHANICAL PERFORMANCE,
    - INSERTION FORCE: 5~20N.
    - EXTRACTION FORCE: 8~20N.
    - DURABILITY: 10000 CYCLES.
  - ENVIRONMENTAL PERFORMANCE:
    - OPERATING TEMPERATURE: -25°C~+85°C.
  - IR REFLOW:
    - THE PEAK TEMPERATURE ON THE BOARD SHALL BE MAINTAINED FOR 10 SECONDS AT 260°C.
  - COMPLIANCE WITH ROHS REQUIREMENTS.
  - SALT SPRAY:24H



RECOMMENDED P.C.B. LAYOUT  
TOLERANCE UNSPECIFIED ±0.05mm  
(TOP VIEW)

PIN DEFINITION:

PIN No.	A1	A2	A3	A4	A5	A6	A7	A8	A9	A10	A11	A12
	GND	TX1+	TX1-	VBUS	CC1	D+	D-	SBU1	VBUS	RX2-	RX2+	GND
	GND	RX1+	RX1-	VBUS	SBU2	D-	D+	CC2	VBUS	TX2-	TX2+	GND
PIN No.	B12	B11	B10	B9	B8	B7	B6	B5	B4	B3	B2	B1



**Bestcreate Technology Limited**

TOLERANCES UNLESS OTHERWISE SPECIFIED:

X.	±	0.30	X'	±	5'
.X	±	0.25	.X'	±	2'
.XX	±	0.10	.XX'	±	1'

DESIGN:  
I. L

DATE:

TITLE:

USB 3.1 C FEMALE CONNECTOR SINGLE SHELL SINK  
CLO. 32 L=8.65

CHECKED:  
C. W

DATE:

MATERIAL:

PART NO:  
U06-CFXX5R-075-V1

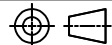
SIZE:  
A4

REV:  
A

UNIT  
mm

SCALE  
1=1

QUALITY  
SYMBOLS



Website:www.bsc-elec.com

Email:bestcreate@bsc-elec.com

APPROVED:  
C. W

DATE:

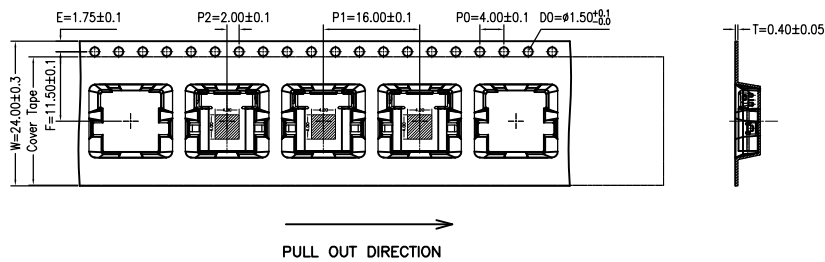
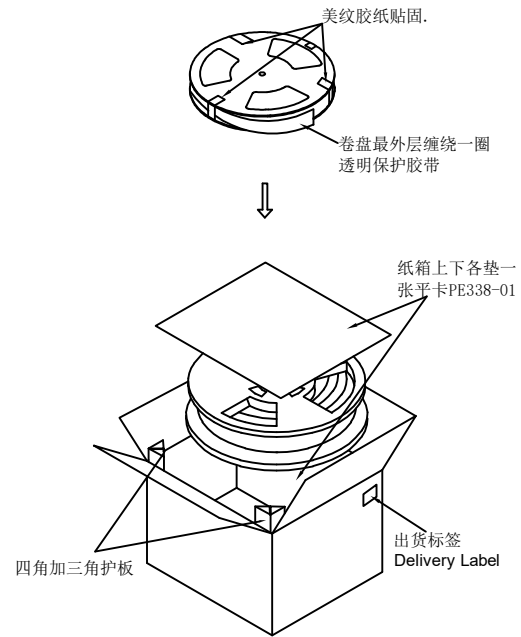
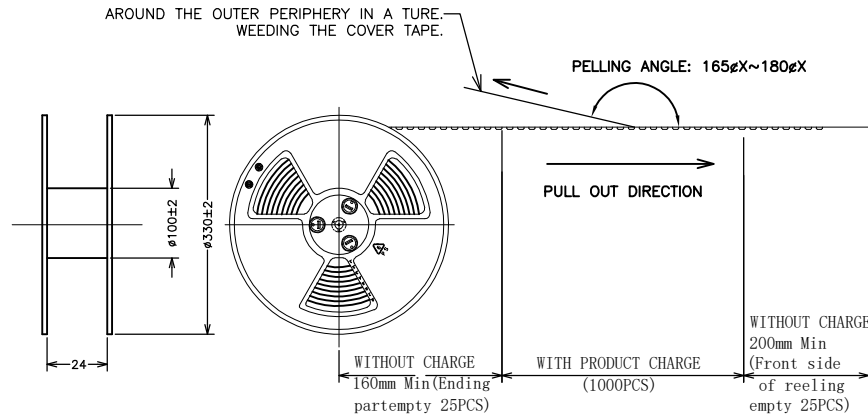
FINISH:

DWG NO:  
U06-CFXX5R-075-V1

2 OF 3

RoHS Compliant

REVISIONS			
REV.	DESCRIPTION	DATE	DESIGN



**包装规范说明:**

1. 如图所示首先CARRIER TAPE (载带) 需先预留25PCS空格后方可置入成品,并附COVER TPAE(上带)覆盖于上,再配合带装机自动卷绕于REEL(塑胶卷轴)收料.
2. 在定量包装完成后,前端CARRIER TAPE亦需预留25PCS空格,而COVER TPAE配合CARRIER TYPE长度覆盖后,并须再超出200mm以上,最后以胶纸贴固,并于REEL盘上方贴合格标签1张.
3. 注意:COVER TAPE不可浮起或有贴附不顺,歪斜及成品放置方向错误之现象.再按图示贴3处美纹胶.外围缠绕一圈保护带.
4. 在纸箱内左右,前后侧各放入一块三角卡板,在每个纸箱内装入10PCS卷盘,纸箱内上下各垫一张平卡, 盖上箱盖后以胶带封箱,于侧位置贴出货标签一张.
5. 零箱部分, 出货时须用缓冲物填满.

NO.	包材名称 Items	包材料号 Item no	用量 Usage	通用类别 Series	备注 / Remark
①	纸箱 Carton	PE338	1	(空白纸箱) Blank carton	外尺寸: 350*350*310mm,K=K
②	PE Bag	P120198-01	2		600*600*0.05mm
③	载带 Carrier tape	PE302	/		W=24mm, 16.80m/R透明PET
④	带粘上带 Cover Tape	P120122-01	/	自粘上带	W=21.3MM, 200m/r透明色
⑤	塑胶卷轴 Plastic Reel	P120021-01	10		∅330mm, W=30mm
⑥	平隔板 Divacocart	P120012-01	4		
⑦	三角卡板/ 三角卡	PE338-01	4/2		365*300*5mm/340*340*5mm
⑧	合格标签 Qualified Label		10		
⑨	出货标签 Delivery Label		1		
⑩	保护带 Protect tape	PE284	/		W24*400M/R

**Bestcreate Technology Limited**

TOLERANCES UNLESS OTHERWISE SPECIFIED:

X.	±	0.30	X.'	±	5'
.X	±	0.25	.X'	±	2'
.XX	±	0.10	.XX'	±	1'

Website: www.bsc-elec.com  
Email: bestcreate@bsc-elec.com

DESIGN: I. L	DATE:	TITLE: USB 3.1 C FEMALE CONNECTOR SINGLE SHELL SINK CLO. 32 L=8.65
CHECKED: C. W	DATE:	MATERILA:
APPROVED: C. W	DATE:	PART NO: U06-CFXX5R-075-V1
		DWG NO: U06-CFXX5R-075-V1
		FINSH:
		SIZE: A4
		3 OF 3

REV: A	UNIT mm	SCALE 1=1	QUALITY SYMBOLS
-----------	------------	--------------	--------------------