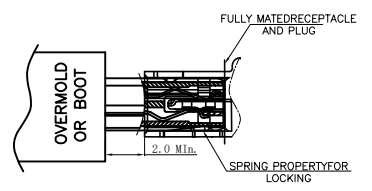
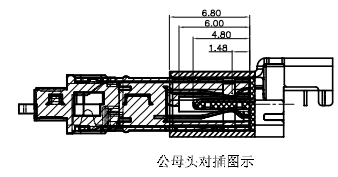
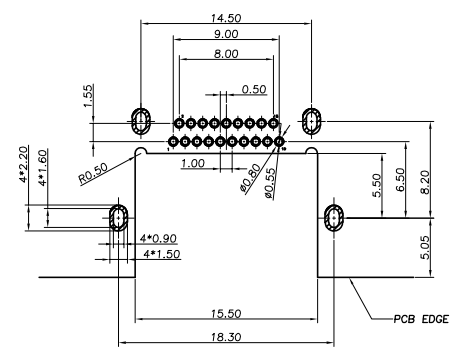
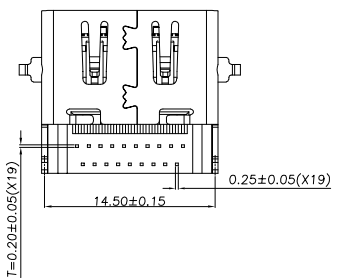
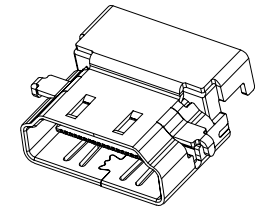
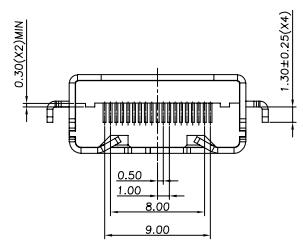
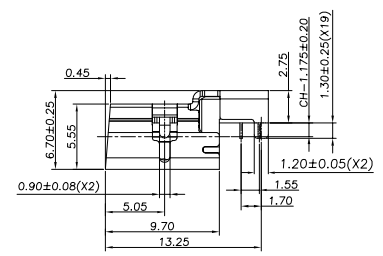
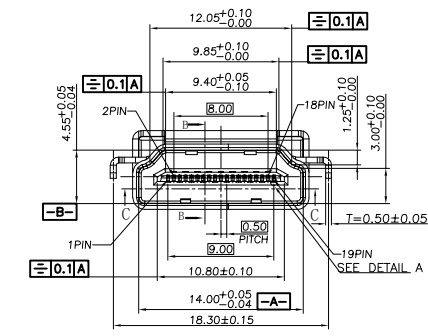
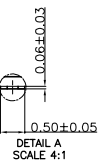
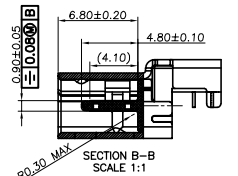
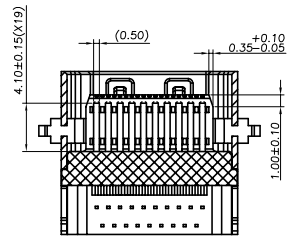
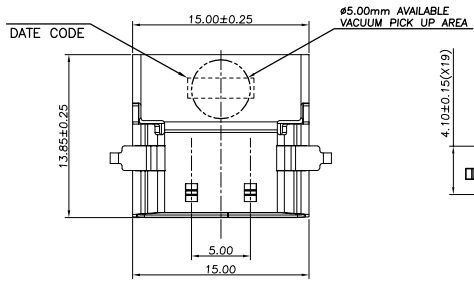


RoHS Compliant

REVISIONS			
REV.	DESCRIPTION	DATE	DESIGN



PART NO. INFORMATION

HD01-A F X X 5 R - 027

- PORT TYPE
A: TYPE A
- GENDER
F: FEMALE
M: MALE
- PACKAGE
R: TAPE REEL
- HOUSING COLOR
2: WHITE
5: BLACK
9: NATURE
- HOUSING MATERIAL
A: LCP B: PBT
C: PA9T D: PA6T
E: PA46 F: PA66
- CONTACT FLASH
1: GOLD PLASH
2: GOLD 3U''
3: GOLD 5U''
4: GOLD 10U''
5: GOLD 15U''
6: GOLD 30U''

PIN	SIGNAL ASSIGNMENT	PIN	SIGNAL ASSIGNMENT	PIN	SIGNAL ASSIGNMENT
1	TMS DATA2+	8	TMS DATA0 SHIELD	15	SCL
2	TMS DATA2 SHIELD	9	TMS DATA0-	16	SDA
3	TMS DATA2-	10	TMS CLOCK+	17	DDG/CEC GROUND
4	TMS DATA1+	11	TMS CLOCK+ SHIELD	18	+5V POWER
5	TMS DATA1 SHIELD	12	TMS CLOCK-	19	HOT PLUG DETECT
6	TMS DATA1-	13	CEC		
7	TMS DATA0+	14	ULPLV/REACT		

C	SHELL	1	MATAL/SEE TABLE A
B	TERMINAL	19	COPPER YELLOW/SEE TABLE A
A	HOUSING	1	HTERNOPLASTIC UL94V-0 BLACK
NO	PART NAME	QTY	MATERIAL PLATING & COLOR

TOLERANCES UNLESS OTHERWISE SPECIFIED:

X.	± 0.50	X.*	± 3'
.X	± 0.30	.X.*	± 2'
.XX	± 0.20	.XX.*	± 1'

DESIGN:	I. L	DATE:	2017. 3. 1
CHECKED:	C. W	DATE:	2017. 3. 1
APPROVED:	C. W	DATE:	2017. 3. 1

TITLE:	HDMI A TYPE 19PIN H=6.70 CH=1.18MM, L=13.85MM REC, RVS, DIP TYPE C TYPE		
MATERILA:	PART NO:	SIZE:	A4
FINSH:	DWG NO:		

Bestcreate Technology Limited

REV: A	UNIT: mm	SCALE: 1=1	QUALITY SYMBOLS
--------	----------	------------	-----------------

Tel/Whatsapp: 0086-13712299763
Skype: belle.wu3340