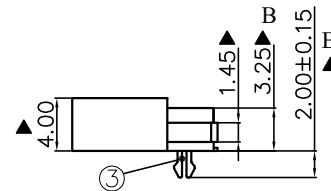
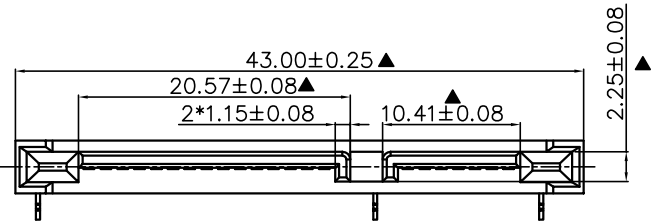
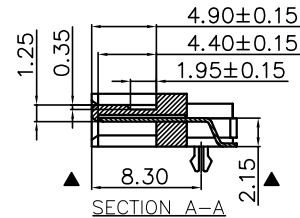
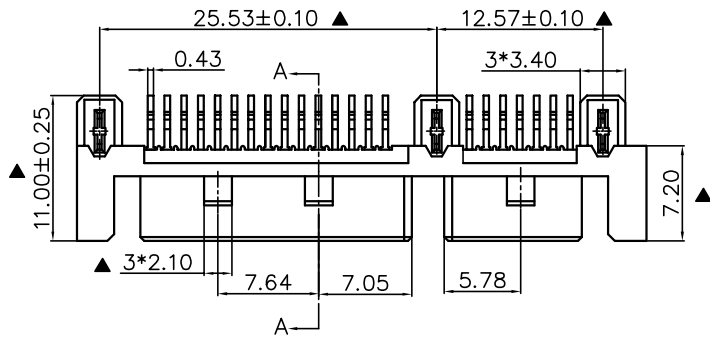


RoHS Compliant

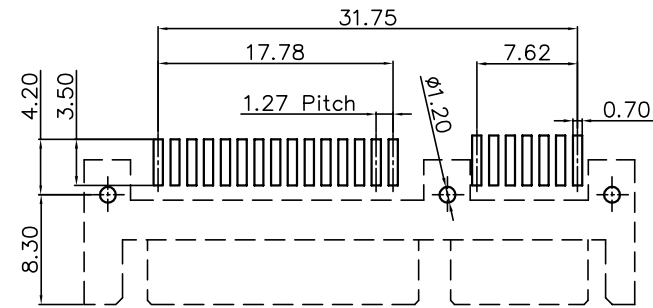
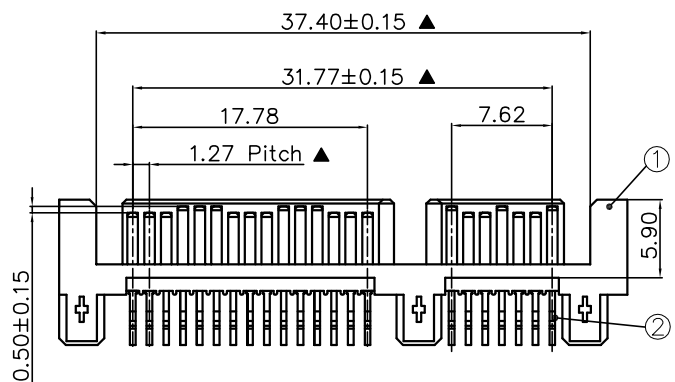
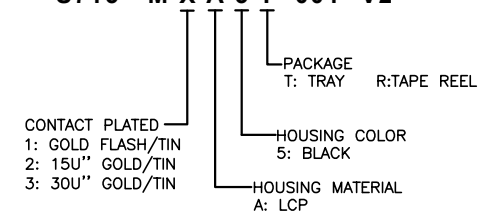
REVISIONS			
REV.	DESCRIPTION	DATE	DESIGN



**SPECIFICATION:**  
**1.MATERIAL:**  
 HOUSING:LCP LG431-9731L 30% G/F UL 94V-0  
 COLOR:BLACK  
 CONTACT:BRASS C2680R-H,T=0.25mm  
 PEG:BRASS C2680R-H,T=0.30mm  
**2.FINISH:**  
 CONTACT:1u" GOLD/TIN PLATING ON CONTACT AREA  
 100u" MIN. TIN PLATING ON SOLDERTAILS  
 50u" MIN.NICKEL UNDERPLATING OVER ALL  
**3.ELECTRICAL**  
 CURRENT RATING: 1.5A PER PIN MIN.  
 CONTACT RESISTANCE: 30m OHM MAX.  
 INSULATION RESISTANCE: 1000M OHM MIN.  
 DIELECTRIC WITHSTANDING VOLTAGE: 500VAC.

PART NUMBER:

**S715 - M X A 5 T -001 -V2**



PCB LAYOUT  
 RECOMMENDED PCB TOLERANCE:±0.05

3	Board lock	Brass C2680		Gold/Ni Plated
2	Terminal	Brass C2680		Gold/Tin Plated
1	Housing	High Temp	Black	UL 94V-0
NO.	DESCRIPTION	MATERIAL	COLOR	REMARK

**Bestcreate Technology Limited**

TOLERANCES UNLESS OTHERWISE SPECIFIED:		DESIGN:	DATE:
X.	± 0.30	I. L	2017. 3. 1
.X	± 0.20	CHECKED:	DATE:
.XX	± 0.15	C. W	2017. 3. 1
X.*	± 3'	APPROVED:	DATE:
.X*	± 2'	C. W	2017. 3. 1
.XX*	± 1'		

Website: www.bsc-elec.com  
 E-mail: bestcreate@bsc-elec.com

TITLE:		
SATA 7+15P 公座 SMT 鱼叉型		
MATERILA:	PART NO:	SIZE:
	S715-MXA5T-001-V2	A4
FINSH:	DWG NO:	SHEET:
	S715-MXA5T-001-V2	1 OF 1

REV:	UNIT	SCALE	QUALITY SYMBOLS
A	mm	1=1	