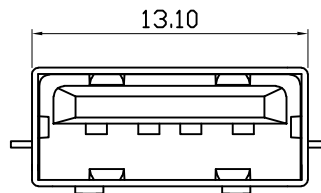
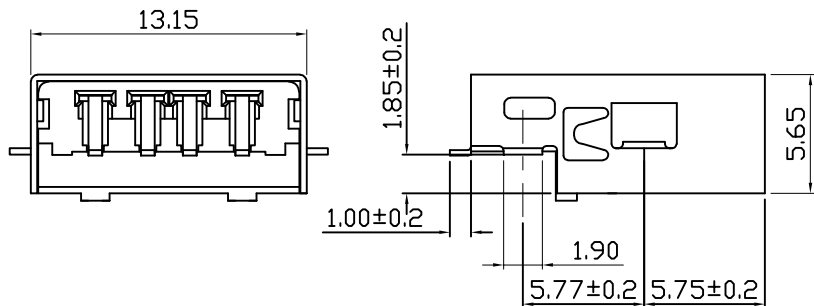


RoHS Compliant

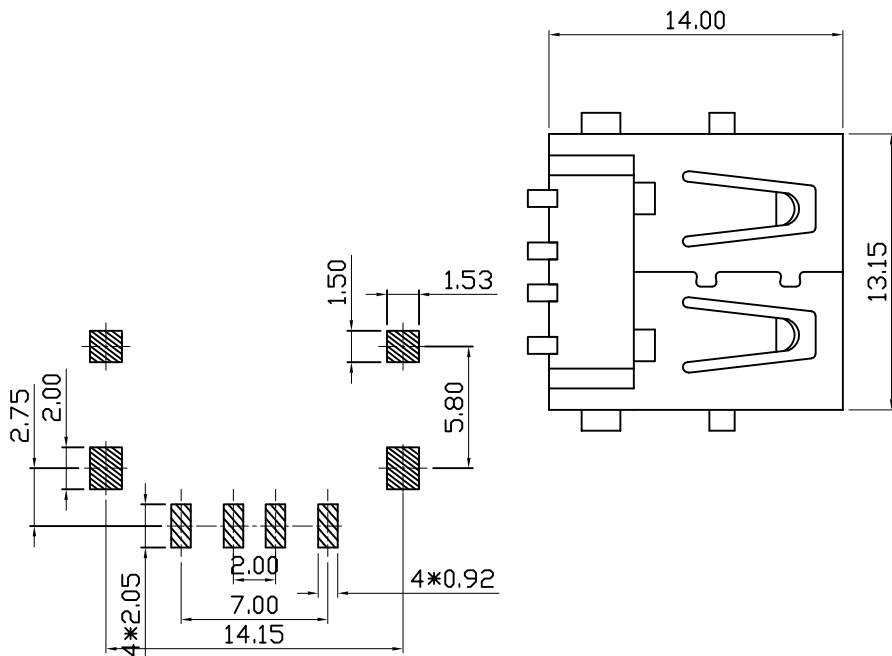
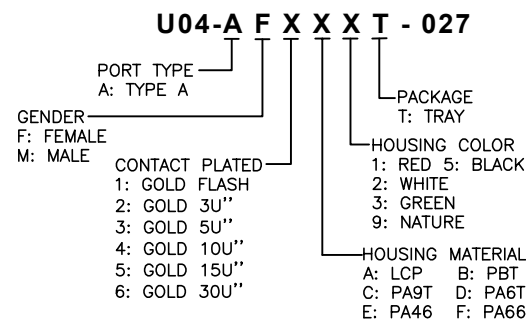
REVISIONS			
REV.	DESCRIPTION	DATE	DESIGN



SPECIFICATIONS

- 1)Electrical:
 - 1.1 Contact Resistance: 30 mΩ Max
 - 1.2 Insulation Resistance: 1000MΩ Min
 - 1.3 Withstanding Voltage: 500V DC
 - 1.4 Current rating 1.5AMP Max.
 - 1.5 Total Mating Force: 4.5kg Max.
 - 1.6 Total Unmating force: 0.7kg Min.
 - 1.7temperature Range: -25° +70°
- 2)Material:
 - 2.1 Housing: High temperature Plastics UL94V-0
 - 2.2 Standard:PBT+30%G.F
 - 2.3 Contact: brass
- 3)Finishing:
 - 3.1 platingAu or Sn Over 100u” Ni
 - 3.2 Crimp Terminal :Gold-plated contact points. Tin-lead foot
 - 3.2 Shell:Nickel-plating

PART NO. INFORMATION



RBCOMMENDBD P.C.B PATTBRN LAYD UT

Bestcreate Technology Limited

TOLERANCES UNLESS OTHERWISE SPECIFIED:		DESIGN: I.L	DATE: 2017.3.1	TITLE: USB 2.0 A FEMALE CONNECTOR SMT TYPE	
.X	± 0.30	.X'	± 2'	CHECKED: C.W	DATE: 2017.3.1
.X	± 0.25	.X'	± 1'	APPROVED: C.W	DATE: 2017.3.1
.XX	± 0.20	.XX'	± 0.5'	MATERIAL: U06-AFXXXXT-027	PART NO: U06-AFXXXXT-027
Website:www.bsc-elec.com		Email:bestcreate@bsc-elec.com		FINSH: U06-AFXXXXT-027	SIZE: A4

REV: A	UNIT: mm	SCALE: 1=1	QUALITY SYMBOLS
--------	----------	------------	-----------------