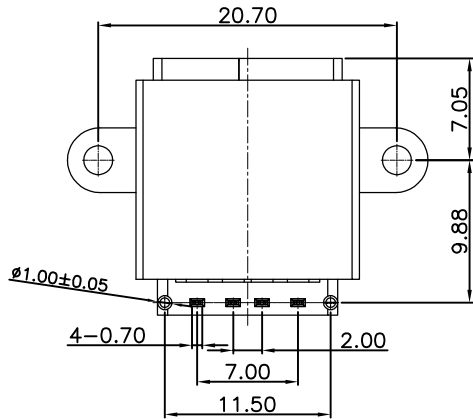
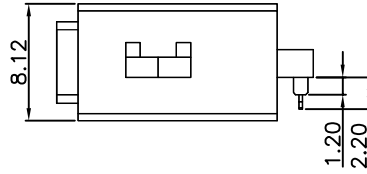
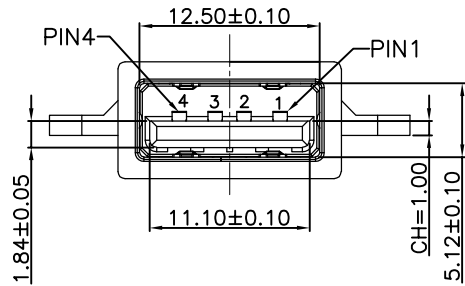
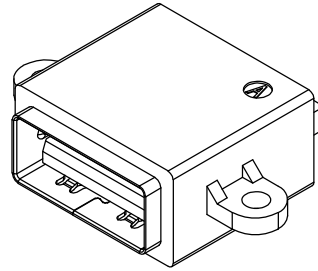
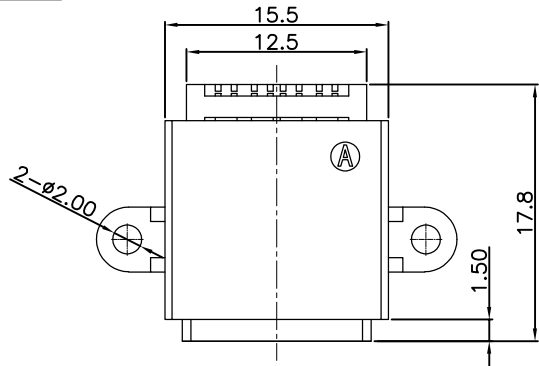


RoHS Compliant



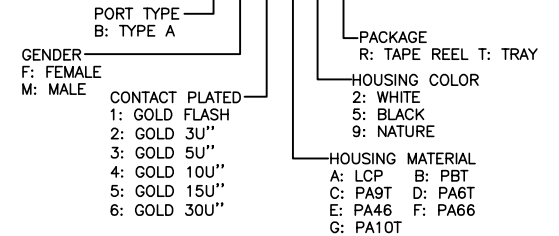
NOTES:

SPECIFICATION:

1. CURRENT RATING: 3.0A MAX
2. DIELECTRIC WITHSTAND VOLTAGE: 100VAC
3. TEMPERATURE RANGE: -30 °C ~ 85 °C
4. CONTACT RESISTANCE: 40 MILLIONHM MAX
5. INSULATION RESISTANCE: 100 MEGOHMS MIN.
6. INSERTION FORCE :8N~35N
7. UNMATING FORCE: 8N~35N
8. DURABILITY:1500 CYCLES

PART NO. INFORMATION

**U01-A F X X 5 R - W011**



ITEM	PART NAME	Q' TY	FINISH	NOTE
3	Shell	1	SUS 301 1/4H	
3	PLASTIC Shell	1	PA9T&LCP (G.F30%)	
2	Contact	4	BRASS C2680-EH Au/Ni Plating T=0.25mm	
1	Housing	1	PA10T (G.F30%)	

**Bestcreate Technology Limited**

TOLERANCES UNLESS OTHERWISE SPECIFIED:

X.	± 0.50	X'	± 2'
.X	± 0.30	.X'	± 1'
.XX	± 0.10	.XX'	± 0.5'

Website:www.bsc-elec.com  
Email:bestcreate@bsc-elec.com

DESIGN: I. L. DATE: 2017. 3. 1  
CHECKED: C. W. DATE: 2017. 3. 1  
APPROVED: C. W. DATE: 2017. 3. 1

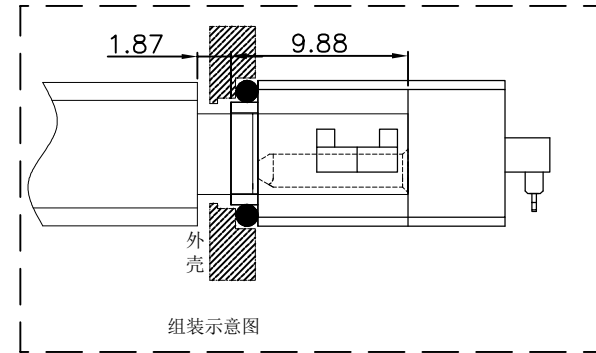
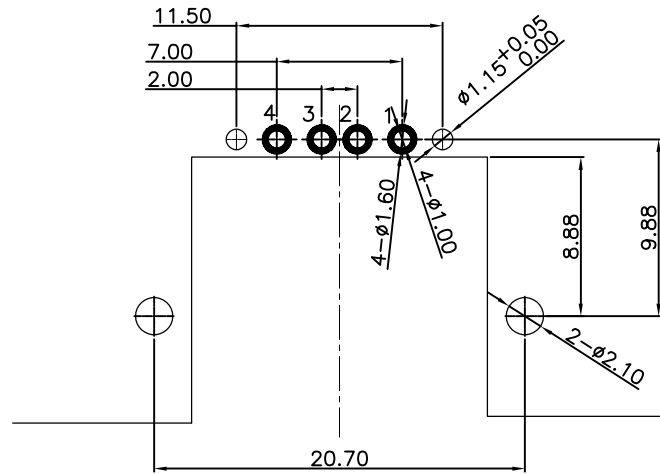
TITLE: IPX6 WATERPROOF SUBSIDE USB 2.0 A FEMALE CONNECTOR

MATERILA:	PART NO: U01-AFXX5R-W011	SIZE: A4
FINSH:	DWG NO: U01-AFXX5R-W011	1 OF 2

REV: A UNIT mm SCALE 1=1 QUALITY SYMBOLS

RoHS Compliant

REVISIONS			
REV.	DESCRIPTION	DATE	DESIGN



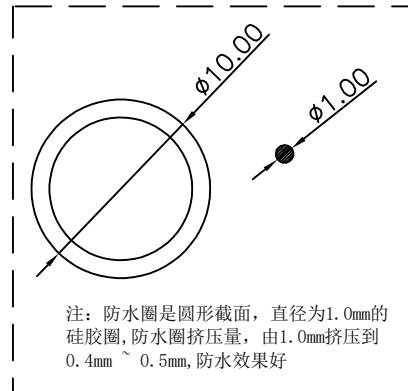
**RECOMMENDED PCB LAYOUT(TOP VIEW)**

THICKNESS T=1.6mm  
DEFAULT TOLERANCE+/-0.05

**PIN ASSIGNMENT**

PIN NO.	1	2	3	4
SIGNAL NAME	VBUS	D-	D+	GND

注意此母座为反脚位。



**Bestcreate Technology Limited**

TOLERANCES UNLESS OTHERWISE SPECIFIED:

X.	± 0.50	X.*	± 2*
.X	± 0.30	.X*	± 1*
.XX	± 0.10	.XX*	± 0.5*

Website: [www.bsc-elec.com](http://www.bsc-elec.com)  
Email: [bestcreate@bsc-elec.com](mailto:bestcreate@bsc-elec.com)

DESIGN: I.L DATE: 2017.3.1

CHECKED: C.W DATE: 2017.3.1

APPROVED: C.W DATE: 2017.3.1

TITLE: IPX6 WATERPROOF SUBSIDE USB 2.0 A FEMALE CONNECTOR

MATERILA: U01-AFXX5R-W011 PART NO: U01-AFXX5R-W011 SIZE: A4

FINSH: U01-AFXX5R-W011 DWG NO: U01-AFXX5R-W011 2 OF 2

REV:	UNIT	SCALE	QUALITY SYMBOLS
A	mm	1=1	