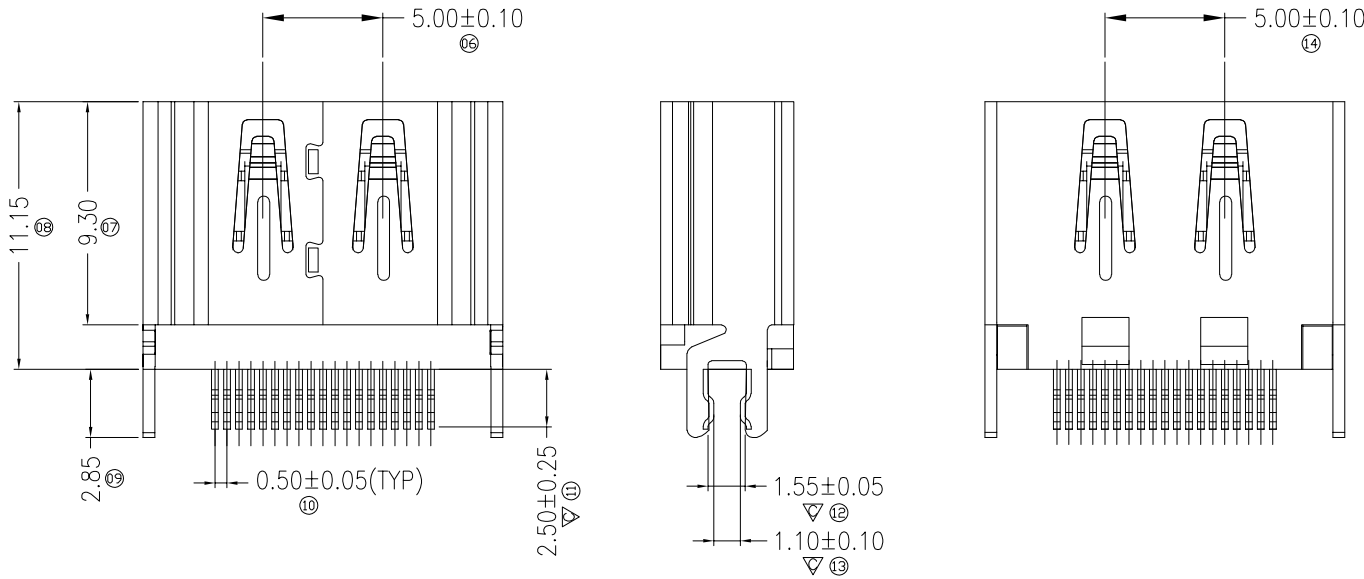


RoHS Compliant

REVISIONS			
REV.	DESCRIPTION	DATE	DESIGN



NOTES:

1. MATERIAL:

- 1-1. INSERT MOLDING: LCP, COLOR: BACK, UL94-V0.
- 1-2. CONTACT: C2680(T=0.20mm);
GOLD FLASH ON CONTACT AREA,
100u" Min. Tin PLATED ON SOLDER TAILS.
50u" Min. NICKEL PLATED OVERALL.
- 1-3. SHELL: SPCC,(T=0.50mm); GOLD FLASH PLATED OVERALL.
100u" Min. NICKEL BOTTOM PLATED OVERALL.
120u" Min. COPPER BOTTOM PLATED OVERALL.

2. ELECTRICAL CHARACTERISTICS:

- 2-1. CURRENT RATING: 0.5A
- 2-2. CONTACT RESISTANCE: 30mΩ MAX.
- 2-3. INSULATION RESISTANCE: 100MΩ MIN.
- 2-4. DIELECTRIC WITHSTAND VOLTAGE: AC 500V/MINUTE.
- 2-5. OPERATING TEMPERATURE RANGE: -25°C~+85°C

3. MECHANICAL CHARACTERISTICS:

- 3-1. INSERTION FORCE: 4.5Kgf MAX.
- 3-2. EXTRACTION FORCE: 1.0Kgf MIN., 4.0Kgf MAX.

4. DURABILITY: 10000 CYCLES.

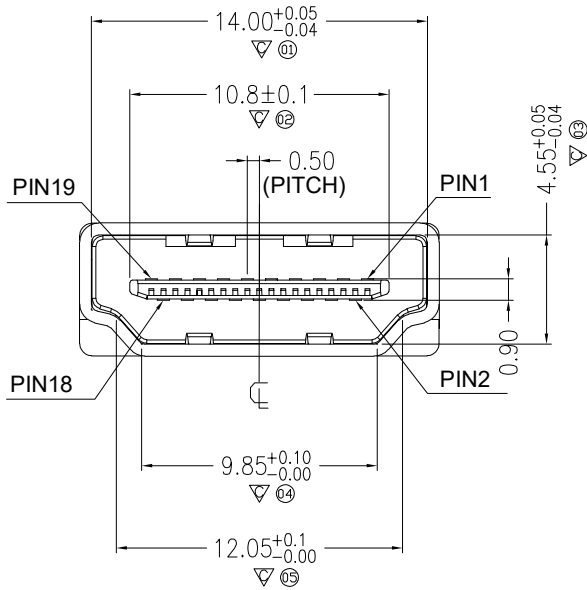
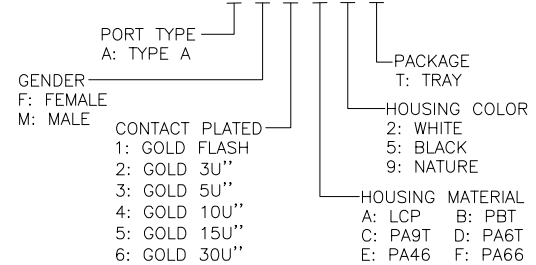
5. SALT FOG TEST: 24H.

6. "⊗" SHOWS FAI MEASUREMENT POINT.

7. MARKED "▽" AS KEY CONTROL SIZE.

PART NO. INFORMATION

HD01-A F X X 5 T - 001-V1



Bestcreate Technology Limited

TOLERANCES UNLESS OTHERWISE SPECIFIED:

X.	± 0.50	X.'	± 3'
.X	± 0.25	.X'	± 2'
.XX	± 0.15	.XX'	± 1'

Tel/Whatsapp: 0086-13712299763
Skype: belle.wu3340

DESIGN:	DATE:
I.L	2017.3.1
CHECKED:	DATE:
C.W	2017.3.1
APPROVED:	DATE:
C.W	2017.3.1

TITLE: HDMI A FEMALE CONNECTOR STRADDLE MOUNT 1.6		
MATERIAL:	PART NO: HD01-AFXX5T-001-V1	SIZE: A4
FINISH:	DWG NO: HD01-AFXX5T-001-V1	

REV: A	UNIT: mm	SCALE: 1=1	QUALITY SYMBOLS
--------	----------	------------	-----------------