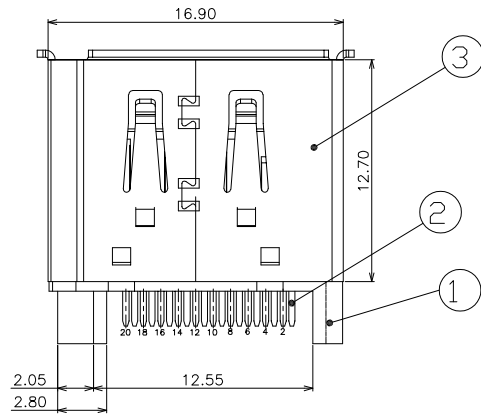
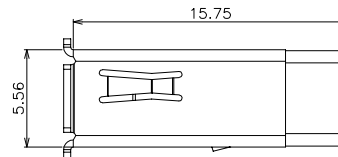
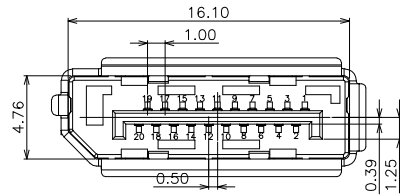
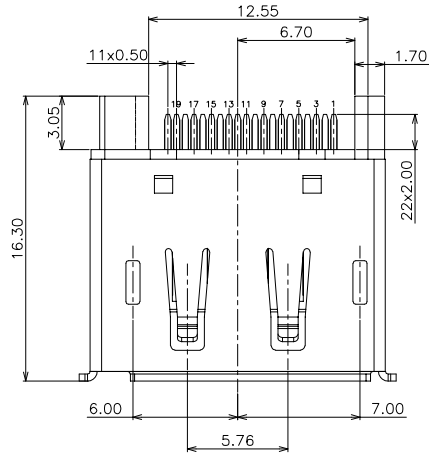
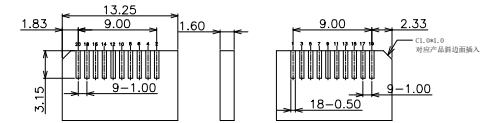


RoHS Compliant



REVISIONS				
REV.	DESCRIPTION	DATE	DESIGN	
NO.	材料名称	材质	颜色	备注
3	外壳	SPCC	—	GOLD/NICKEL PLATED
2	端子	C2680	—	GOLD/TIN PLATED
1	胶芯	LCP	BLACK	UL 94V-0

- NONES:
- 电气特性:
 - 接触阻抗: 30mΩ MAX (初始) FOR VBUS AND GND CONNECTS, 其它50mΩ MAX (初始)
 - 绝缘阻抗: 100MΩ MIN.
 - 额定电流: 1.5A
 - 耐压: 100V AC (RMS)
 - 机械特性
 - 插入力: 35N MAX.
 - 拔出力: 10N (初始) MIN. 寿命测试后: 8N MIN.
 - 寿命: 5000 CYCLES
 - 环境特性: 使用温度: -40° C-85° C
 - 符合本公司环境物质管理标准



PCB Layout Reference
SCALE 2:1

PART NO. INFORMATION

DP09- F 1 A 5 X - 018

- GENDER: F: FEMALE, M: MALE
- CONTACT PLATED: 1: GOLD FLASH, 2: GOLD 3U", 3: GOLD 5U", 4: GOLD 10U", 5: GOLD 15U", 6: GOLD 30U"
- PACKAGE: R: TAPE REEL, T: TRAY
- HOUSING COLOR: 2: WHITE, 5: BLACK, 9: NATURE
- HOUSING MATERIAL: A: LCP, B: PBT, C: PA9T, D: PA6T, E: PA46, F: PA66

Bestcreate Technology Limited

TOLERANCES UNLESS OTHERWISE SPECIFIED:

.X	± 0.35	.X"	± 2"
.XX	± 0.25	.X'"	± 1"
.XXX	± 0.15	.X'"	± 0.5"

Website: www.bsc-elec.com
Email: bestcreate@bsc-elec.com

DESIGN: I.L DATE: 2017.3.1

CHECKED: C.W DATE: 2017.3.1

APPROVED: C.W DATE: 2017.3.1

TITLE: STRADDLE MOUNT 1.6MM DP FEMALE CONNECTOR

MATERIAL:	PART NO: DP09-F1A5X-018	SIZE: A4
FINISH:	DWG NO: DP09-F1A5X-018	

REV: A	UNIT: mm	SCALE: 1=1	QUALITY SYMBOLS
--------	----------	------------	-----------------