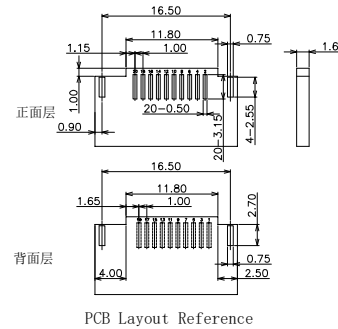
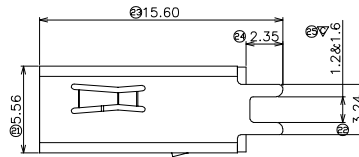
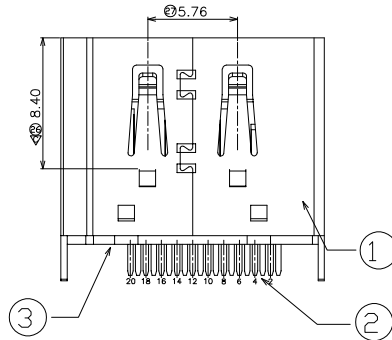
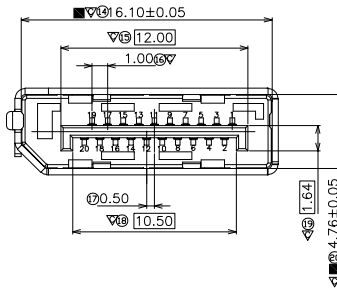
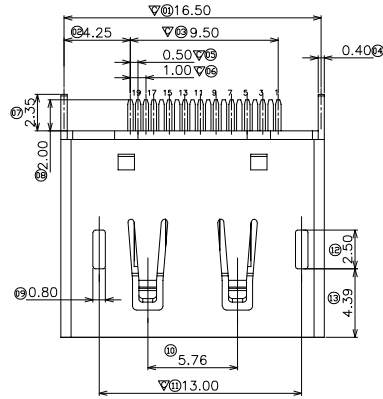


RoHS Compliant



**NONES:**

**1. 电气特性:**

1) 接触阻抗: 30mΩ MAX (初始) FOR VBUS AND GND CONNECTS,  
其它 50mΩ MAX (初始)

环境与寿命测试后的变化值: +10Ω MAX

2) 绝缘阻抗: 100MΩ MIN.

3) 额定电流: 1.5A

4) 耐压: 100V AC (RMS)

**2. 机械特性**

1) 插入力: 35N MAX.

2) 拔出力: 10N (初始) MIN.

寿命测试后: 8N MIN.

3) 寿命: 5000 CYCLES

3. 环境特性: 使用温度: -40° C-85° C

4. 符合本公司环境物质管理标准

**REVISIONS**

REV.	DESCRIPTION	DATE	DESIGN

PIN	定义	PIN	定义
1	ML_Lane0 (P)	11	GND
2	GND	12	ML_Lane3 (N)
3	ML_Lane0 (N)	13	CFG1
4	ML_Lane1 (P)	14	CFG2
5	GND	15	AUX (HLP)
6	ML_Lane1 (N)	16	GND
7	ML_Lane2 (P)	17	AUX (HLP)
8	GND	18	HOT PLUG
9	ML_Lane2 (N)	19	Return (for Pwr)
10	ML_Lane3 (P)	20	DP-PWR (3.3V 500mA)

NO.	材料名称	材质	颜色	备注
3	外壳	SPCC	—	GOLD/NICKEL PLATED
2	端子	C2680	—	GOLD/TIN PLATED
1	胶芯	LCP	BLACK	UL 94V-0

**PART NO. INFORMATION**

**DP09-F 1 A 5 X - 019**

GENDER:  
F: FEMALE  
M: MALE

CONTACT PLATED:  
1: GOLD FLASH  
2: GOLD 3U"  
3: GOLD 5U"  
4: GOLD 10U"  
5: GOLD 15U"  
6: GOLD 30U"

PACKAGE:  
R: TAPE REEL T: TRAY

HOUSING COLOR:  
2: WHITE  
5: BLACK  
9: NATURE

HOUSING MATERIAL:  
A: LCP B: PBT  
C: PA9T D: PA6T  
E: PA46 F: PA66

**Bestcreate Technology Limited**

TOLERANCES UNLESS OTHERWISE SPECIFIED:

.X	± 0.35	X.	± 2'
.XX	± 0.25	.X'	± 1'
.XXX	± 0.15	.XX'	± 0.5'

Website: [www.bsc-elec.com](http://www.bsc-elec.com)

Email: [bestcreate@bsc-elec.com](mailto:bestcreate@bsc-elec.com)

DESIGN:

I.L 2017.3.1

CHECKED:

C.W 2017.3.1

APPROVED:

C.W 2017.3.1

DATE:

2017.3.1

DATE:

2017.3.1

DATE:

2017.3.1

TITLE:

**STRADDLE MOUNT 1.2MM  
DP FEMALE CONNECTOR**

MATERIAL:

FINISH:

PART NO:

DWG NO:

SIZE:

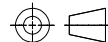
A4

REV: A

UNIT mm

SCALE 1=1

QUALITY SYMBOLS



1

2

3

4

5

6

7

8