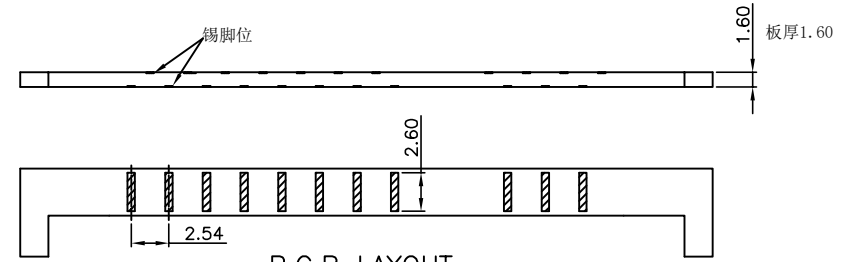
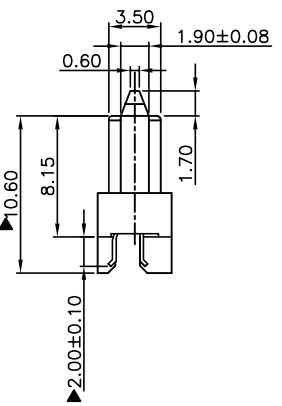
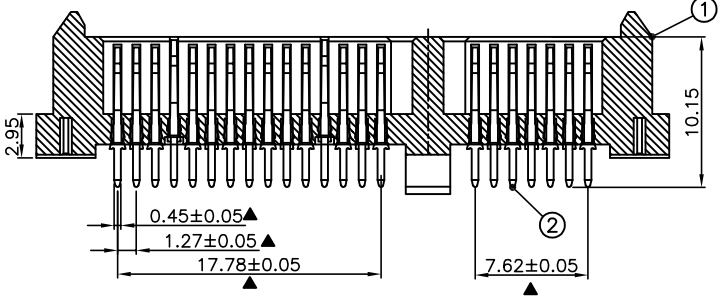
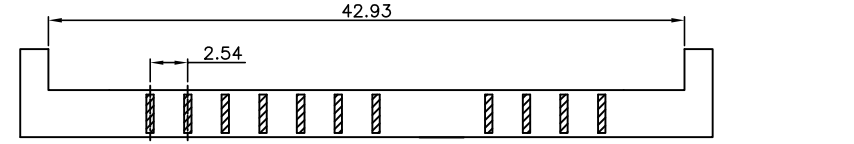
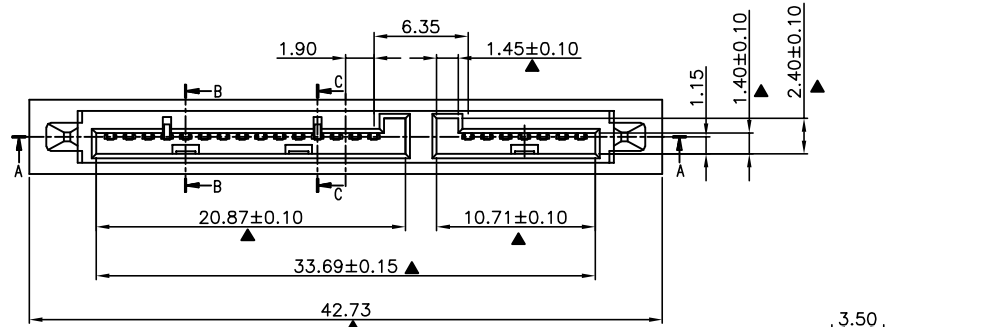


RoHS Compliant

REVISIONS			
REV.	DESCRIPTION	DATE	DESIGN



SPECIFICATION:
 1.MATERIAL:
 HOUSING: LCP UL 94V-0
 COLOR:BLACK
 CONTACT: PHOSPHOR BRONZE C5191R-H,T=0.25mm
 PEG: BRASS C2680R-H,T=0.30mm
 2.FINISH:
 CONTACT:3u" GOLD/TIN PLATING ON CONTACT AREA
 100u"MIN. TIN PLATING ON SOLDERTAILS
 50u" MIN.NICKEL UNDERPLATING OVER ALL

PART NO. INFORMATION

S715 - F X A 5 T -002

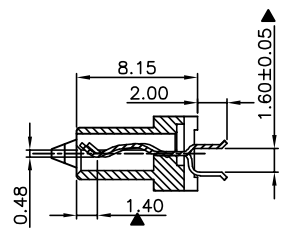
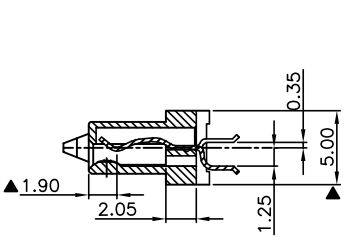
GENDER
 F: FEMALE
 M: MALE

PACKAGE
 T: TRAY
 R:TAPE REEL

CONTACT PLATED
 1: GOLD FLASH/TIN
 2: 15U" GOLD/TIN
 3: 30U" GOLD/TIN

HOUSING COLOR
 5: BLACK

HOUSING MATERIAL
 A: LCP



NO.	DESCRIPTION	MATERIAL	COLOR	REMARK
2	Terminal	Pho.Bronze C5191R-H		Gold/Tin Plated
1	Housing	High Temp	Black	UL 94V-0

Bestcreate Technology Limited

TOLERANCES UNLESS OTHERWISE SPECIFIED:
 X. ± 0.30 X.' ± 3'
 .X ± 0.20 .X* ± 2'
 .XX ± 0.15 .XX* ± 1'
 Website: www.bsc-elec.com
 E-mail: bestcreate@bsc-elec.com

DESIGN: I. L DATE: 2017. 3. 1
 CHECKED: C. W DATE: 2017. 3. 1
 APPROVED: C. W DATE: 2017. 3. 1

TITLE: SATA 7+15P B脚位 夹板1.60无鱼叉
 MATERILA: PART NO: S715-FXA5T-002 SIZE: A4
 FINSH: DWG NO: S715-FXA5T-002 SHEET: 1 OF 1

REV: A UNIT mm SCALE 1=1 QUALITY SYMBOLS