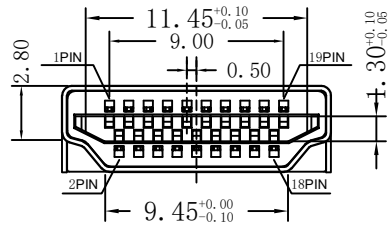


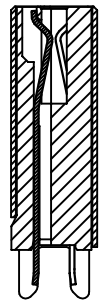
RoHS Compliant

REVISIONS			
REV.	DESCRIPTION	DATE	DESIGN

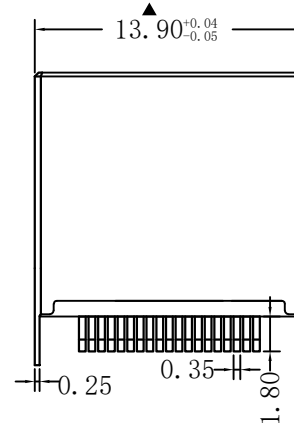
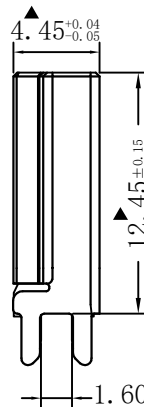
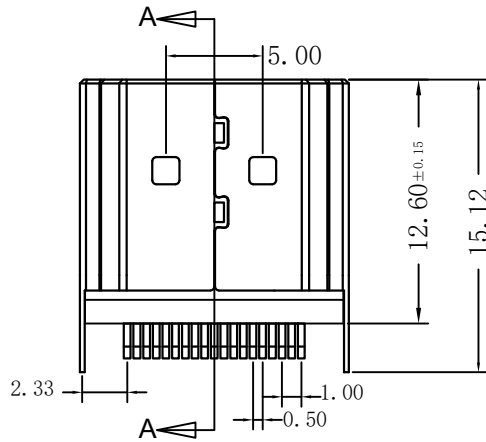


NOTE :

- 1.SPECIFICATION:
 - 1.1.CURRENT RATING: 0.5 Amp Max.
 - 1.2.VOLTAGE RATING: 40 V ac(r.m.s) Max.
 - 1.3.CONTACT RESISTANCE: 10m ohms Max.mated
 - 1.4.INSULATION RESISTANCE:100M ohms Min.
 - 1.5.DIELECTRIC WITHSTANDING VOLTAGE:
 - AC 500V Min. (for 1 minute)
 - 1.6.OPERATION TEMPERATURE RANGE: -25°C~85°C
- 2.MECHANICAL
 - 2.1 INSERTION FORCE:4.5KGF MAXMUM
 - 2.1 WITHDRAWAL FORCE:1.0KGF MINIMUM;4.0KGF MAXMUM



A-A 剖面图



PART NO. INFORMATION

HD01-A M X X 5 T - 001-V3

- PORT TYPE
A: TYPE A
- GENDER
F: FEMALE
M: MALE
- CONTACT PLATED
1: GOLD FLASH
2: GOLD 3U"
3: GOLD 5U"
4: GOLD 10U"
5: GOLD 15U"
6: GOLD 30U"
- PACKAGE
T: TRAY
- HOUSING COLOR
2: WHITE
5: BLACK
9: NATURE
- HOUSING MATERIAL
A: LCP B: PBT
C: PA9T D: PA6T
E: PA46 F: PA66

NOTES:

1. MATERIAL: SHELL:COPPER ALLPY, SPCC, TERMINAL: C5191, HOUSING: LCP.
2. PLATING: SHELL:NICKEL, TERMINAL:AU 1U.
3. PACKAGE: TRAY.

Bestcreate Technology Limited

TOLERANCES UNLESS OTHERWISE SPECIFIED:

X.	± 0.50	X.*	± 3'
.X	± 0.25	.X*	± 2'
.XX	± 0.15	.XX'	± 1'

Tel/Whatsapp:0086-13712299763
Skype: belle.wu3340

DESIGN: I. L DATE: 2017. 3. 1

CHECKED: C. W DATE: 2017. 3. 1

APPROVED: C. W DATE: 2017. 3. 1

TITLE: HDMI A MALE CONNECTOR
STRADDLE MOUNT 1.6MM

MATERILA:	PART NO: HD01-AMXX5T-003-V3	SIZE: A4
FINSH:	DWG NO: HD01-AMXX5T-003-V3	

REV: A	UNIT mm	SCALE 1=1	QUALITY SYMBOLS
--------	---------	-----------	-----------------