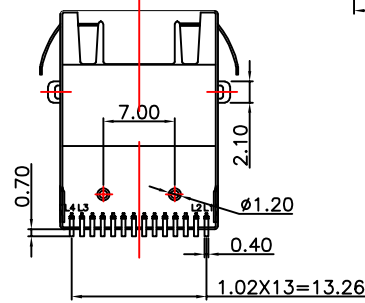
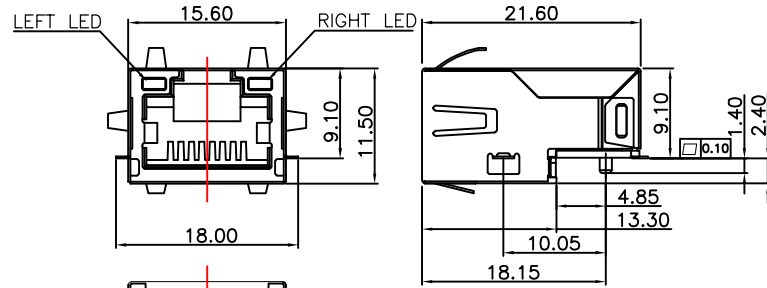
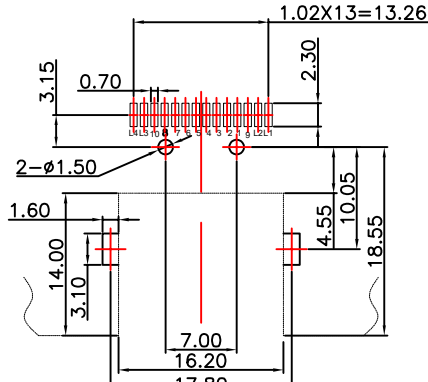


RoHS Compliant

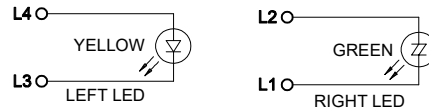
REVISIONS			
REV.	DESCRIPTION	DATE	DESIGN



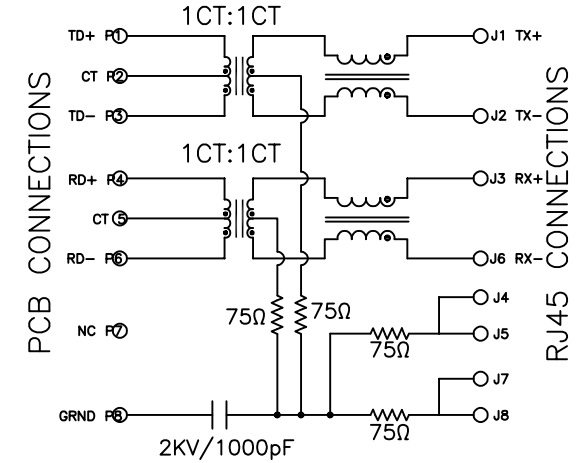
- 1.Material:
 1.1 Housing: LCP UL94V-0 Black.
 1.2 Contact :Phosphor Bronze,Gold plated on contact area 6u".
 1.3 Input Terminal : Brass.
 1.4 Metal shielding:Copper alloy with Nickel plated.
 2.Environmental requirements:
 2.1 Lead-free process,compliant RoHS.



Suggested PCB Layout(Top View)
(Tolerance:±0.05)



Emitting Color	λ_p (nm)	$V_f@I_f=20mA$
GREEN	565	1.8-2.5V
YELLOW	585	1.8-2.5V



- 3.Electrical Specification @25°C:
 3.1 Inductance: 350uH Min With 8mA DC bias.
 3.2 Insertion loss : 1-100MHZ -1dB max.
 3.3 Return loss : 1-30MHZ -18dB min.
 30-60MHZ -16dB min.
 60-80MHZ -12dB min.
 80-100MHZ -10dB min.
 3.4 Common Mode Rejection:1-100MHZ -30dB min.
 3.5 Cross Talk:1-100MHZ -30dB min.
 4.Operating and Storage Temperature:
 4.1 Operating Temperature : -40°C to +85°C.
 4.2 Storage Temperature : -40°C to +85°C.
 5.IR Reflow Peak Temperature:250±5°C/10s Max.

PART NO. INFORMATION

RJ01- 3 1 A X - 109

CONTACT PLATED
 1: G/F 2: AU 3U"
 3: AU 6U" 4: AU 10U"
 5: AU 15U" 6: AU 30U"
 PACKAGE
 R: TAPE REEL
 T: TRAY
 HOUSING:
 A:LCP BLACK
 LED COLOR:
 1:L-YELLOW R-GREEN

Bestcreate Technology Limited

TOLERANCES UNLESS OTHERWISE SPECIFIED:

.X	± 0.35	.X'	± 3'
.XX	± 0.25	.X''	± 2'
.XXX	± 0.15	.XXX'	± 1'

Website:www.bsc-elec.com

Email:bestcreate@bsc-elec.com

DESIGN: DATE:

I. L 2017. 3. 1

CHECKED: DATE:

C. W 2017. 3. 1

APPROVED: DATE:

C. W 2017. 3. 1

TITLE:

RJ45 TAB UP MID MOUNT 9.1MM SMT CONNECTOR 100Mbps

MATERILA:

PART NO: RJ01-31AX-109

SIZE: A4

FINSH:

DWG NO: RJ01-31AX-109

1 OF 1

REV: A

UNIT mm

SCALE 1=1

QUALITY SYMBOLS

