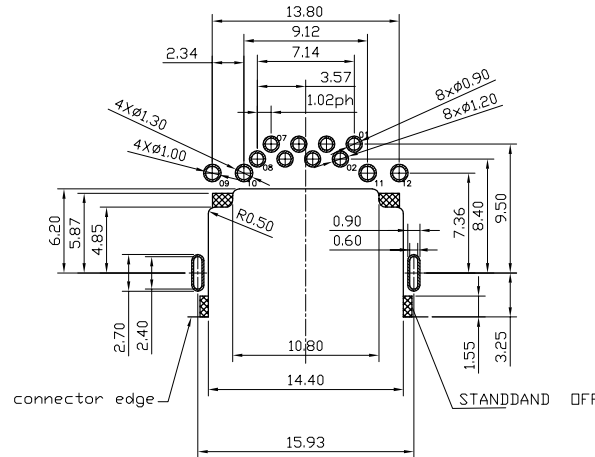
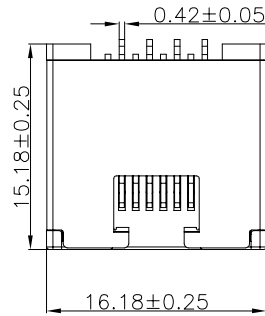
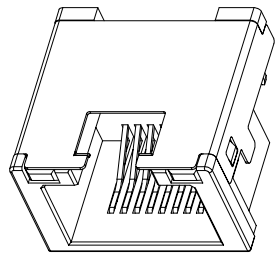


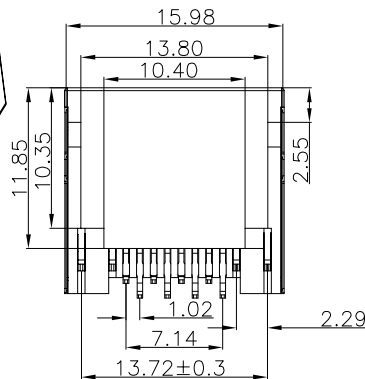
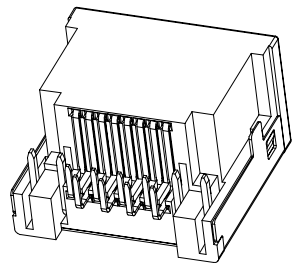
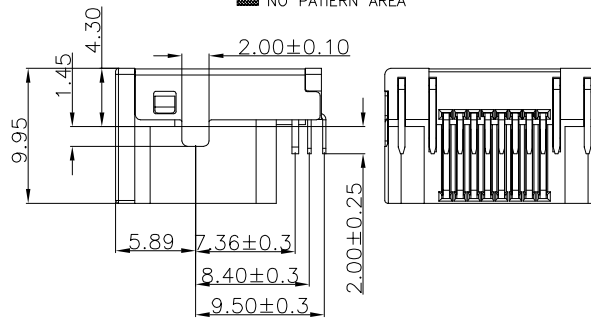
RoHS Compliant

REVISIONS

REV.	DESCRIPTION	DATE	DESIGN



RECOMMENDED PCB LAYOUT (component side)(TOP VIEW)
 DEFAULT TOLERANCES:±0.05/PCB THICKNESS:1.0MM
 NO PATERN AREA



NOTES

MATERIAL

- 1. HOUSING MATERIAL : LCP BLACK UL94V-0.
- 2. CONTACT MATERIAL : PHOSPHOR BRONZE T=0.25mm.
- 3. PLATING : GOLD PLATING ON CONTACT AREA, 100u" MATTE-TIN ON SOLDER TAIL.50u" NICKEL UNDERPLATED OVERALL.
- 4. SHIELD : SUS T=0.20mm WITH NICKEL PLATED.

ELECTRICAL

- 1. VOLTAGE RATING : 125 VAC RMS.
- 2. CURRENT RATING : 1.5 AMP.
- 3. CONTACT RESISTANCE : 40 MILLIOHMS MAX.
- 4. INSULATION RESISTANCE : 500 MEGOHMS MIN @ 100V DC .
- 5. DIELECTRIC DIELECTRIC RESISTANCE : 500V DC RMS 50Hz. 1MIN.

MECHANICAL

- 1. DURRABILITY : 750 CYCLES MIN.
- 2. MATING/UNMATING FORC: 2.24 KG. F MAX.

ENVIRONMENTAL:

- 1. OPERATION : -40°C ~ +85°C.
- 2. STORAGE : -40°C ~ +85°C.

PART NO. INFORMATION

RJ01- X 5 X X - 029 - X

CONTACT PLATED

- 1: G/F
- 2: AU 3U"
- 3: AU 6U"
- 4: AU 15U"
- 5: AU 30U"

PACKAGE

- R: TAPE REEL
- T: TRAY

LED:

- 1:L-YELLOW R-GREEN
- 2:L-GREEN R-YELLOW
- 3:L-GREEN R-AMBER

HOUSING:

- 1:PBT BLACK
- 2:PBT YELLOW
- 3:PA46 BLACK
- 4:PBT BLUE
- 5:PA9T BLUE
- 6:PA9T YELLOW

Bestcreate Technology Limited

TOLERANCES UNLESS OTHERWISE SPECIFIED:

.X	± 0.30	X.*	± 3"
.XX	± 0.20	.X.*	± 2"
.XXX	± 0.10	.XX.*	± 1"

Website: www.bsc-elec.com
 Email: bestcreate@bsc-elec.com

DESIGN: I. L
 DATE: 2017. 3. 1

CHECKED: C. W
 DATE: 2017. 3. 1

APPROVED: C. W
 DATE: 2017. 3. 1

TITLE: MID MOUNT 4.3MM RJ45 8P8C FEMALE CONNECTOR
 DIP TYPE 9.9H, WITH LED LIGHT

MATERILA:	PART NO: RJ01-X5XX-029-X	SIZE: A4
FINSH:	DWG NO: RJ01-X5XX-029-X	

REV: A	UNIT mm	SCALE 1=1	QUALITY SYMBOLS
--------	---------	-----------	-----------------