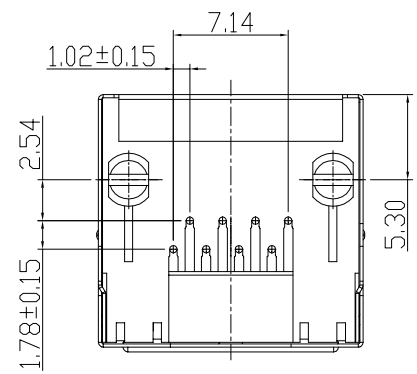
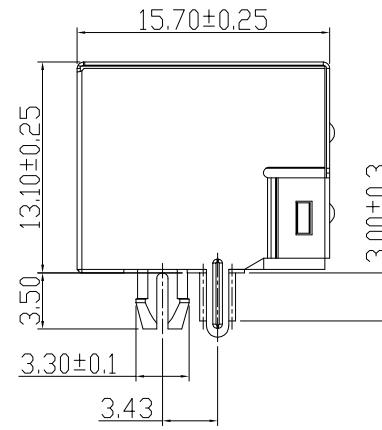
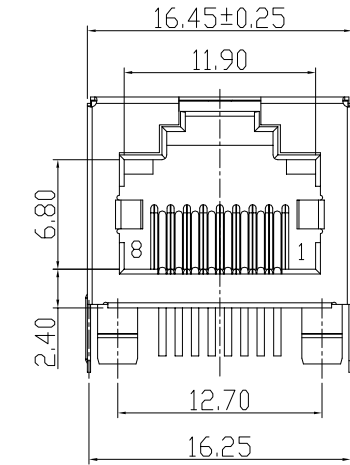


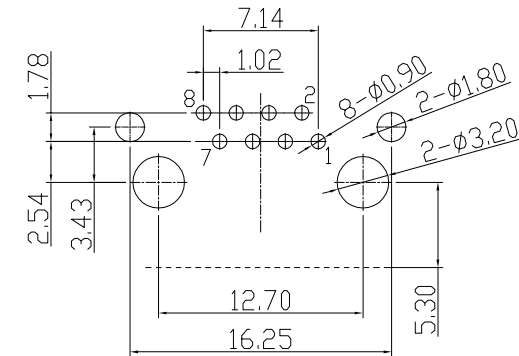
RoHS Compliant

REVISIONS			
REV.	DESCRIPTION	DATE	DESIGN



**SPECIFICATION**

- VOLTAGE RATING: 150 VAC RMS.
- CURRENT RATING: 1.5 AMP
- CONTACT RESISTANCE: 40 mΩ MAX
- INSULATION RESISTANCE: 500MΩ MIN.
- WITHSTAND VOLTAGE: AC1000V RMS 60s.
- OPERATING TEMPERATURE: -40°C~+80°C



Recommend PCB Layout  
(Jack Top View)  
Tolerance: ±0.05mm  
Recommend PCB Thickness: 1.6mm

**PART NO. INFORMATION**

**RJ01- X 5 0 X - 011**

CONTACT PLATED  
1: G/F 2: AU 3U"  
3: AU 5U" 4: AU 10U"  
5: AU 15U" 6: AU 30U"  
PACKAGE  
R: TAPE REEL  
T: TRAY

c	SHELL	1	BRASS T=0.2mm	Ni PALTING
b	TERMINAL	8	PHOSPHOR BRONZE Ø0.46mm	SEE TABLE 2
a	HOUSING	1	See Table 1	See Table 1
NO.	PART NAME	Q'TY	MATERIAL	PLATING & COLOR

**Bestcreate Technology Limited**

TOLERANCES UNLESS OTHERWISE SPECIFIED:

.X	± 0.30	.X'	± 3'
.XX	± 0.20	.X'	± 2'
.XXX	± 0.10	.XX'	± 1'

Website: [www.bsc-elec.com](http://www.bsc-elec.com)  
Email: [bestcreate@bsc-elec.com](mailto:bestcreate@bsc-elec.com)

DESIGN:	DATE:
I. L	2017. 3. 1
CHECKED:	DATE:
C. W	2017. 3. 1
APPROVED:	DATE:
C. W	2017. 3. 1

TITLE:		
RJ45 8P8C CONNECTOR R/A		
MATERILA:	PART NO:	SIZE:
	RJ01-X50X-011	A4
FINSH:	DWG NO:	
	RJ01-X50X-011	

REV: A	UNIT mm	SCALE 1=1	QUALITY SYMBOLS
--------	---------	-----------	-----------------