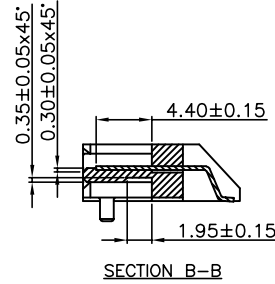
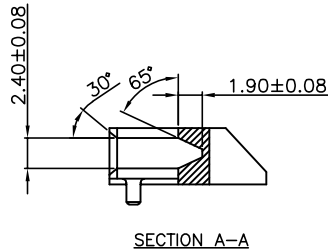
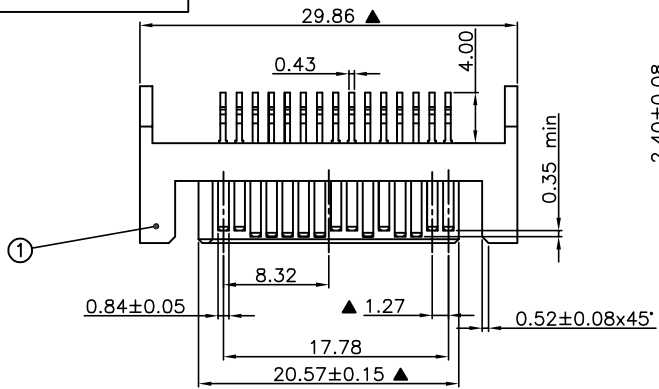


RoHS Compliant

REVISIONS			
REV.	DESCRIPTION	DATE	DESIGN



SPECIFICATION:

1.MATERIAL:

HOUSING:LCP LG431-9731L 30% G/F UL 94V-0

COLOR:BLACK

CONTACT:BRASS C2680R-H,T=0.25mm

2.FINISH:

CONTACT:1u"3u"5u"15u" GOLD/TIN PLATING ON CONTACT AREA

100u" MIN. TIN PLATING ON SOLDER TAILS

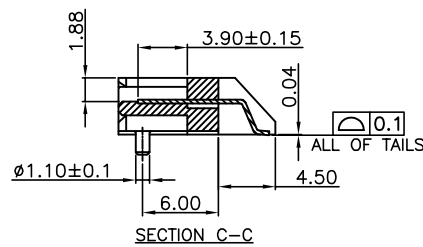
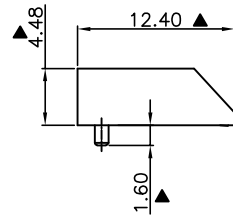
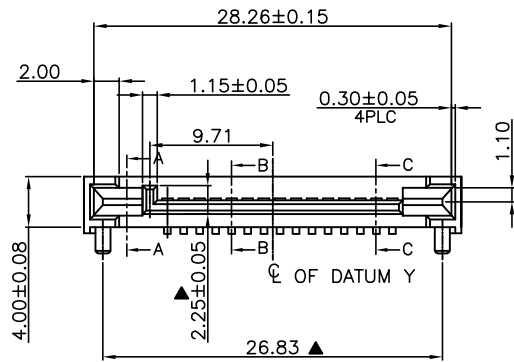
50u" MIN. NICKEL UNDERPLATING OVER ALL

A

A

B

B



PART NO. INFORMATION

S150 - M X A 5 T -003

GENDER
F: FEMALE
M: MALE

CONTACT PLATED
1: GOLD FLASH/TIN
2: 15U" GOLD/TIN
3: 30U" GOLD/TIN

PACKAGE
T: TRAY R:TAPE REEL

HOUSING COLOR
5: BLACK

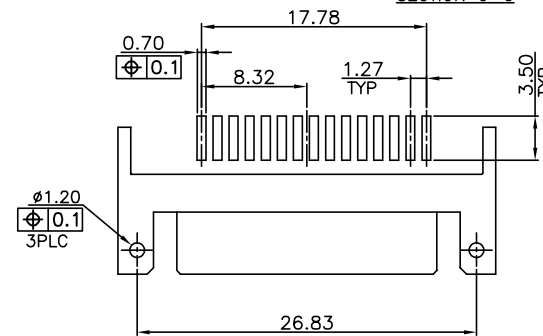
HOUSING MATERIAL
A: LCP

C

C

D

D



PCB LAYOUT
RECOMMENDED PCB TOLERANCE:±0.05

NO.	DESCRIPTION	MATERIAL	COLOR	REMARK
2	Terminal	Brass C2680		Gold/Tin Plated
1	Housing	High Temp	Black	UL 94V-0

Bestcreate Technology Limited

TOLERANCES UNLESS OTHERWISE SPECIFIED:

X.	± 0.30	X.'	± 3'
.X	± 0.20	.X'	± 2'
.XX	± 0.15	.XX'	± 1'

DESIGN:

I. L

DATE:

2017. 3. 1

CHECKED:

C. W

DATE:

2017. 3. 1

APPROVED:

C. W

DATE:

2017. 3. 1

TITLE:

SATA 15P 公座 SMT

MATERIAL:

FINISH:

PART NO:

S150-MXA5T-003

SIZE:

A4

DWG NO:

S150-MXA5T-003

SHEET:

1 OF 1

Website: www.bsc-elec.com

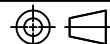
E-mail: bestcreate@bsc-elec.com

REV: A

UNIT mm

SCALE 1=1

QUALITY SYMBOLS



1

2

3

4

5

6

7

8