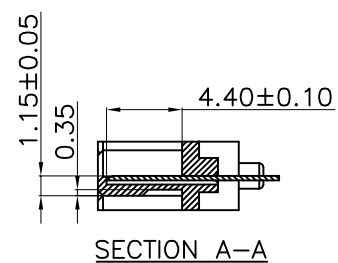
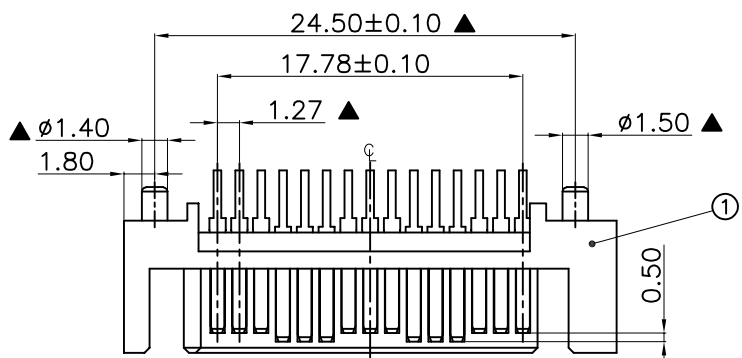
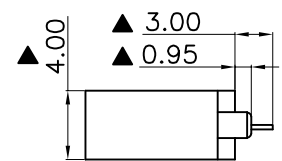
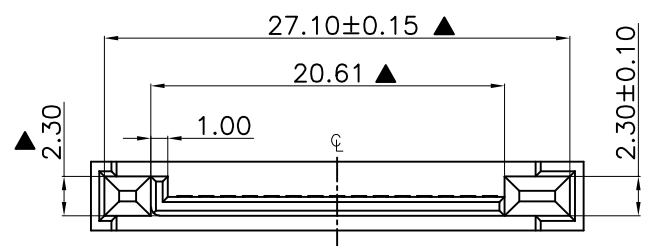


RoHS Compliant

REVISIONS			
REV.	DESCRIPTION	DATE	DESIGN



SPECIFICATION:
 1.MATERIAL:
 HOUSING:LCP 30% G/F UL 94V-0
 COLOR:BLACK
 CONTACT:BRASS C2680R-H,T=0.25mm
 2.FINISH:
 CONTACT:5u" GOLD/TIN PLATING ON CONTACT AREA
 100u" MIN. TIN PLATING ON SOLDER TAILS
 50u" MIN.NICKEL UNDERPLATING OVER ALL



PART NO. INFORMATION

S150 - M X A 5 T -004

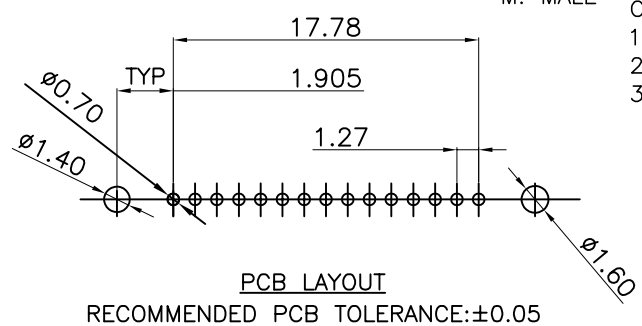
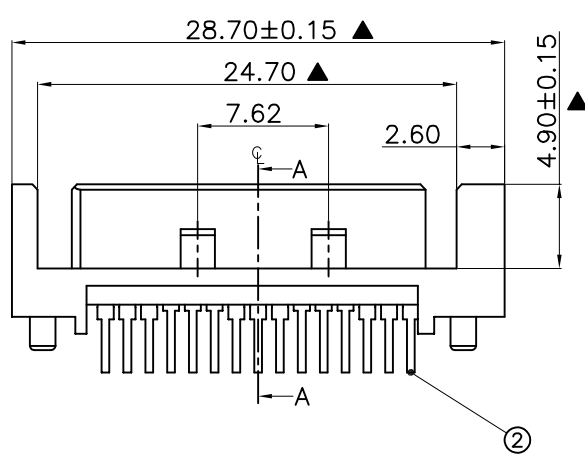
GENDER:
 F: FEMALE
 M: MALE

CONTACT PLATED:
 1: GOLD FLASH/TIN
 2: 15U" GOLD/TIN
 3: 30U" GOLD/TIN

PACKAGE:
 T: TRAY
 R: TAPE REEL

HOUSING COLOR:
 5: BLACK

HOUSING MATERIAL:
 A: LCP



NO.	DESCRIPTION	MATERIAL	COLOR	REMARK
2	Terminal	Brass C2680		Gold/Tin Plated
1	Housing	High Temp	Black	UL 94V-0

Bestcreate Technology Limited

TOLERANCES UNLESS OTHERWISE SPECIFIED:			
X.	± 0.30	X.'	± 3'
.X	± 0.20	.X'	± 2'
.XX	± 0.15	.XX'	± 1'

Website: www.bsc-elec.com
 E-mail: bestcreate@bsc-elec.com

DESIGN: I. L	DATE: 2017. 3. 1
CHECKED: C. W	DATE: 2017. 3. 1
APPROVED: C. W	DATE: 2017. 3. 1

TITLE: SATA 15P 公座 180°		
MATERILA:	PART NO: S150-MXA5T-004	SIZE: A4
FINSH:	DWG NO: S150-MXA5T-004	SHEET: 1 OF 1

REV: A	UNIT mm	SCALE 1=1	QUALITY SYMBOLS
-----------	------------	--------------	-----------------