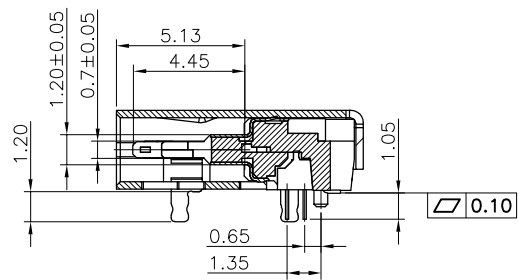
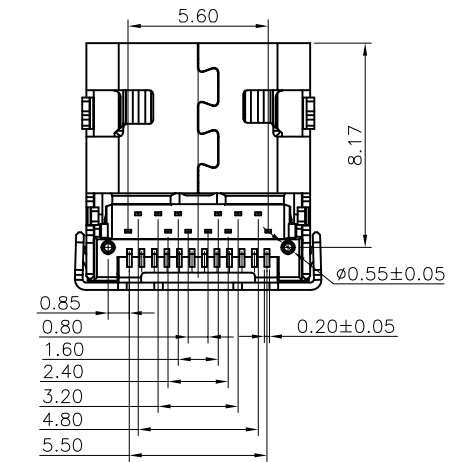
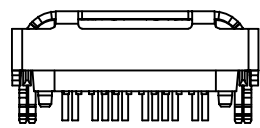
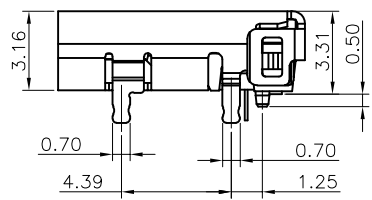
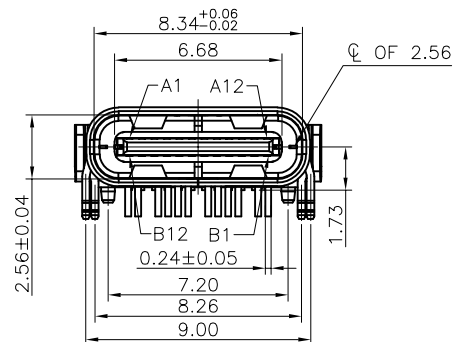
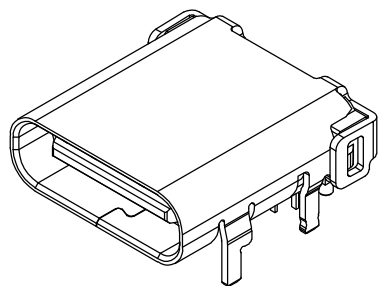
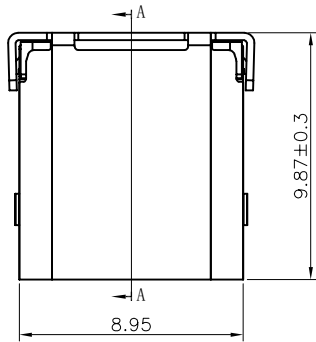


RoHS Compliant

REVISIONS			
REV.	DESCRIPTION	DATE	DESIGN

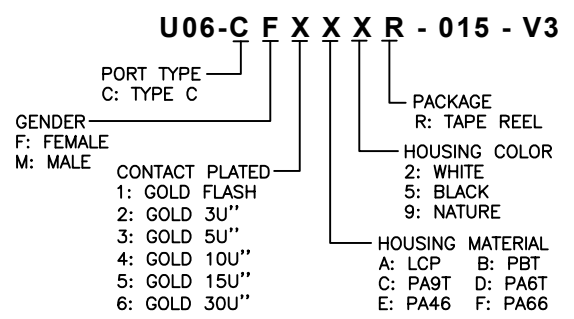


SECTION:A-A

NOTE:

- MATERIAL SPECIFICATION:
 - HOUSING:LCP COLOR SEE TABLE 1,UL94 V-0.
 - CONTACTS:COPPER ALLOY(C1814)
 - MID PLATE&SPRING: STAINLESS STEEL(SUS301)
 - FRONT SHELL: STAINLESS STEEL(SUS304)
- PLATING SPECIFICATION:
 - CONTACTS:
 - Ni 50u" MIN. UNDER PLATED OVER ALL.
 - Au PLATED ON THE FUNCTIONAL AREA OF CONTACT. (GOLD PLATING THICKNESS FOLLOW THE P/N)
 - FRONT SHELL & COVER:
 - Ni 30u" MIN. UNDER PLATED OVER ALL.
 - MID PLATE & EMI SPRING:
 - CLEAR ONLY
- MECHANICAL PERFORMANCE,
 - INSERTION FORCE: 0.5~2.0kgf.
 - REMOVAL FORCE: 0.8kgf~2.0kgf.
 - DURABILITY: 10000 CYCLES.
- ELECTRICAL PERFORMANCE,
 - CURRENT RATING:3.0A
VOLTAGE RATING:5.0V
 - LLCR:
 - VBUS & GND PINS AND OTHER PINS: 40mΩ/PIN MAX.
 - SHIELD: 50mΩ/MAX.
 - LLCR MAX. CHANGE OF ALL PINS: 10mΩ.
 - INSULATION RESISTANCE: 100MΩ MIN
 - DIELECTRIC WITHSTAND VOLTAGE,AC 100V FOR 1 MINUTE.
- ENVIRONMENTAL PERFORMANCE:
 - OPERATING TEMPERATURE: -25°C~+85°C.
- IR REFLOW:
 - THE PEAK TEMPERATURE ON THE BOARD SHALL BE MAINTAINED FOR 10 SECONDS AT 260°C.

PART NO. INFORMATION



Bestcreate Technology Limited

TOLERANCES UNLESS OTHERWISE SPECIFIED:

X.	± 0.30	X.'	± 10'
.X	± 0.20	.X''	± 8''
.XX	± 0.10	.XX'''	± 5'''

Website: www.bsc-elec.com
E-mail: bestcreate@bsc-elec.com

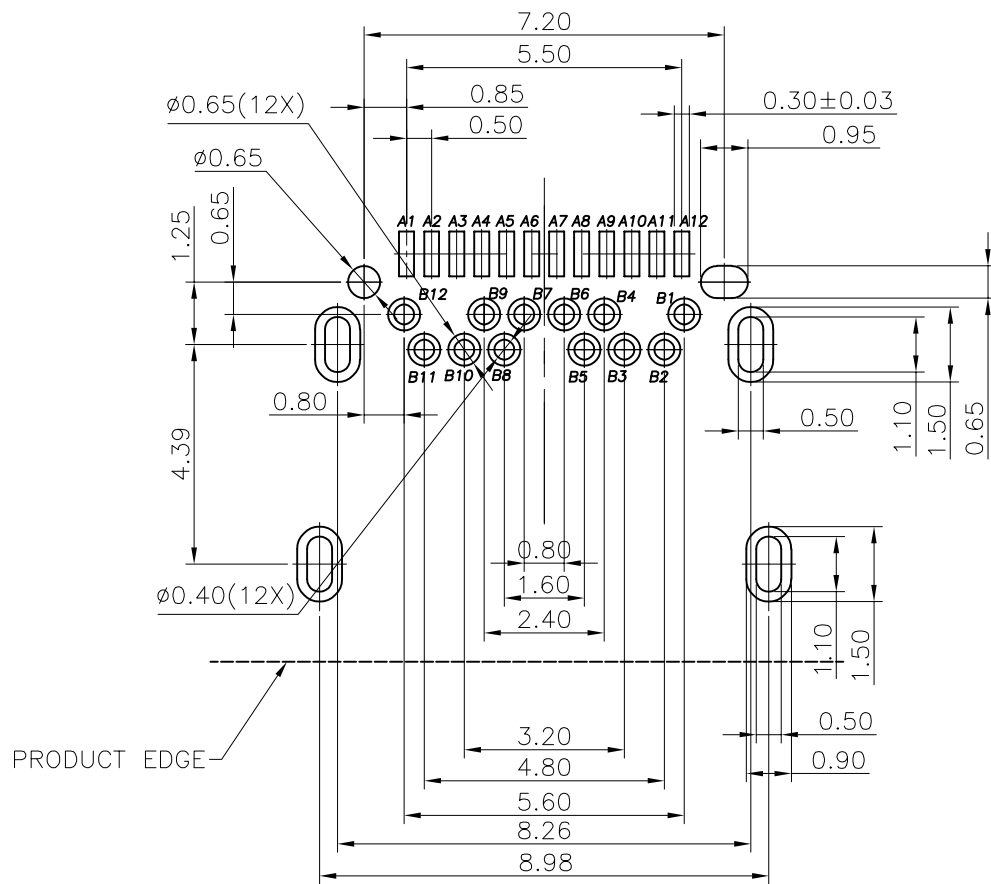
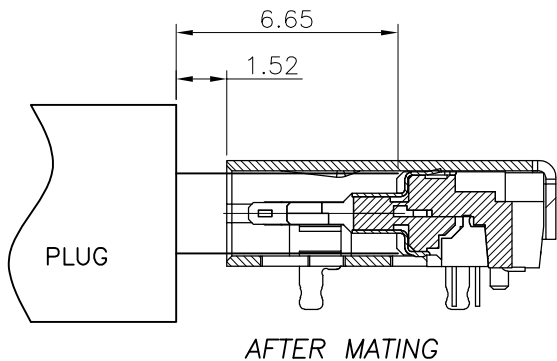
DESIGN: I.L	DATE: 2017.3.1
CHECKED: C.W	DATE: 2017.3.1
APPROVED: C.W	DATE: 2017.3.1

TITLE: USB CF TYPE DIP+SMT SHELL WITHOUT SPRING		
MATERILA:	PART NO: U06-CFXXR-015-V3	SIZE: A4
FINSH:	DWG NO: U06-CFXXR-015-V3	SHEET: 1 OF 3

REV: A	UNIT: mm	SCALE: 1=1	QUALITY SYMBOLS
--------	----------	------------	-----------------

RoHS Compliant

REVISIONS			
REV.	DESCRIPTION	DATE	DESIGN



USB TYPE-C PIN ASSIGNMENTS

PIN NUMBER	SIGNAL NAME	PIN NUMBER	SIGNAL NAME
A1	GND	B12	GND
A2	SSTXp1	B11	SSRXp1
A3	SSTXn1	B10	SSRXn1
A4	Vbus	B9	Vbus
A5	CC1	B8	SBU2
A6	Dp1	B7	Dn2
A7	Dn1	B6	Dp2
A8	SBU1	B5	CC2
A9	Vbus	B4	Vbus
A10	SSRXn2	B3	SSTXn2
A11	SSRXp2	B2	SSTXp2
A12	GND	B1	GND

SCALE 1.5:1
 RECOMMENDED PCB LAYOUT(TOP VIEW)
 THICKNESS 0.8 MM;DEFAULT TOLERANCE:±0.05

Bestcreate Technology Limited

TOLERANCES UNLESS OTHERWISE SPECIFIED:

X.	± 0.30	X.'	± 10°
.X	± 0.20	.X'	± 8°
.XX	± 0.10	.XX'	± 5°

Website: www.bsc-elec.com
 E-mail: bestcreate@bsc-elec.com

DESIGN: I.L
 DATE: 2017.3.1

CHECKED: C.W
 DATE: 2017.3.1

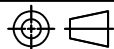
APPROVED: C.W
 DATE: 2017.3.1

TITLE: USB CF TYPE DIP+SMT
 SHELL WITHOUT SPRING

MATERILA:	PART NO: U06-CFXXR-015-V3	SIZE: A4
FINSH:	DWG NO: U06-CFXXR-015-V3	SHEET: 2 OF 3

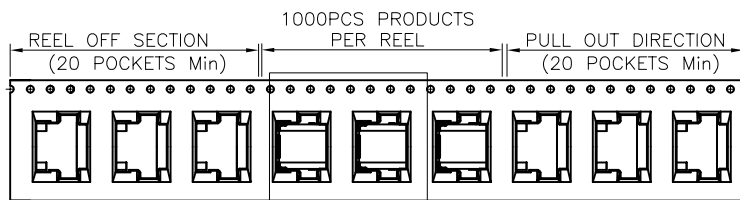
REV: A
 UNIT: mm
 SCALE: 1=1

QUALITY SYMBOLS

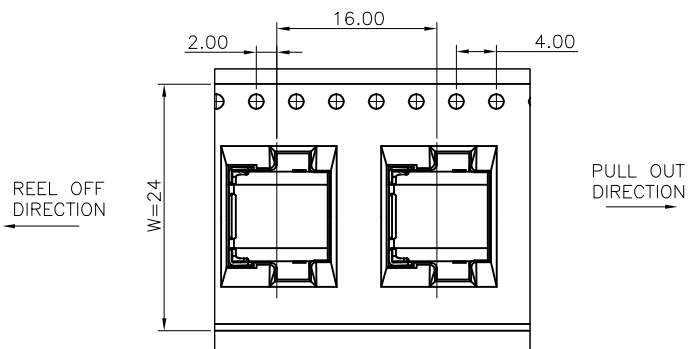
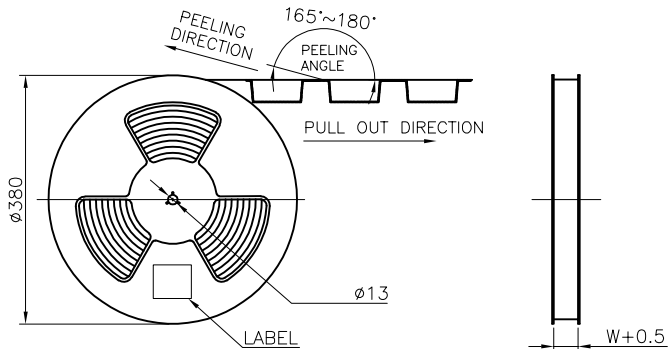


RoHS Compliant

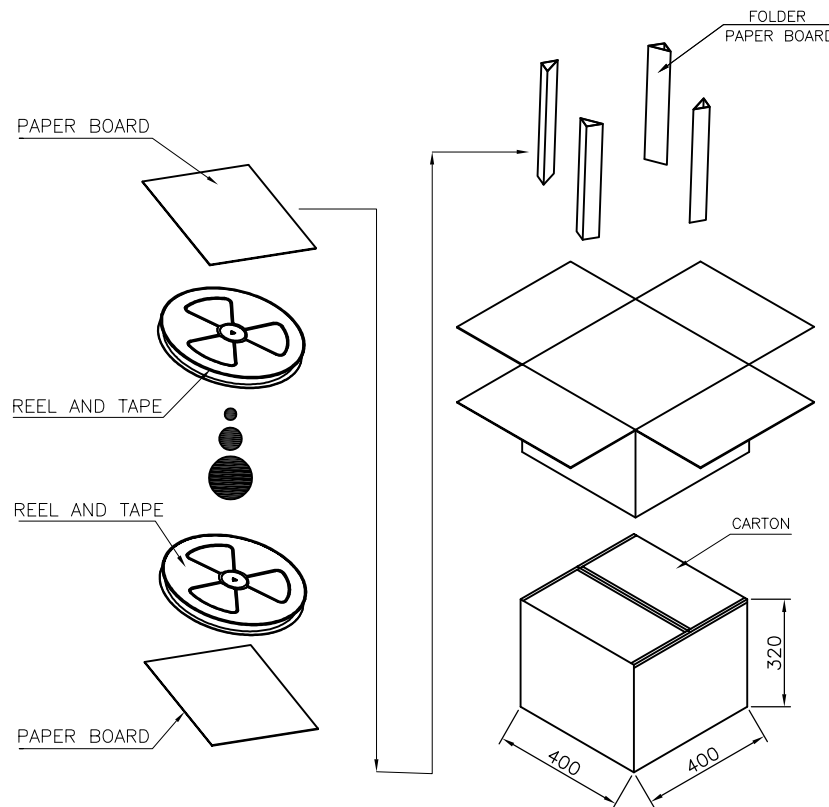
REVISIONS			
REV.	DESCRIPTION	DATE	DESIGN



SEE DETAIL X



DETAIL X
SCALE 2:1



	REEL/TRAY	CARTON
CONNECTOR (PCS)	1000	10000

Bestcreate Technology Limited

TOLERANCES UNLESS OTHERWISE SPECIFIED:

X.	± 0.30	X.'	± 10'
.X	± 0.20	.X'	± 8'
.XX	± 0.10	.XX'	± 5'

Website: www.bsc-elec.com
E-mail: bestcreate@bsc-elec.com

DESIGN: I.L
DATE: 2017.3.1

CHECKED: C.W
DATE: 2017.3.1

APPROVED: C.W
DATE: 2017.3.1

TITLE: USB CF TYPE DIP+SMT
SHELL WITHOUT SPRING

MATERILA:	PART NO: U06-CFXXR-015-V3	SIZE: A4
FINSH:	DWG NO: U06-CFXXR-015-V3	SHEET: 3 OF 3

REV: A	UNIT: mm	SCALE: 1=1	QUALITY SYMBOLS
--------	----------	------------	-----------------