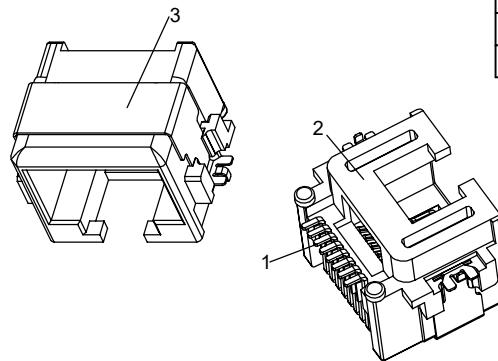
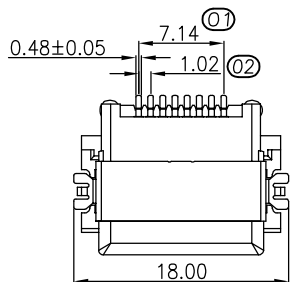


RoHS Compliant

REVISIONS			
REV.	DESCRIPTION	DATE	DESIGN

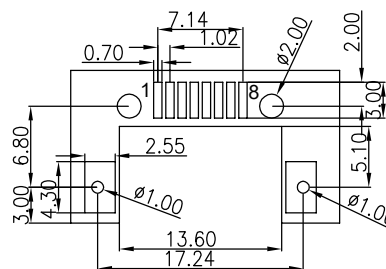
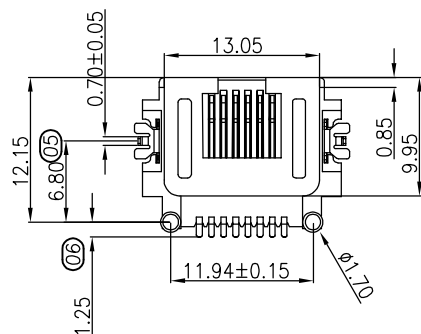
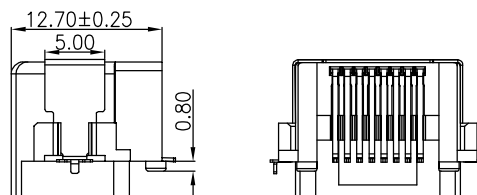
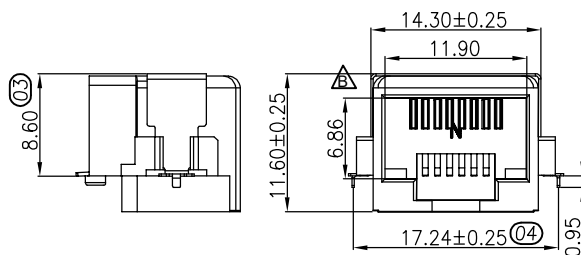


备注:
 材质
 1.主体: 高温塑胶260度黑色 UL94V-0
 2.端子: 磷铜 T=0.30±0.02mm
 电镀:所有区镀底50u", 焊脚区镀锡100u", 接触区选择性刷金
 3.外壳: 黄铜 T=0.20±0.02 电镀镍30u"MIN
 电气性能
 1.额定电压:125VAC RMS.
 2.额定电流:1.5 AMP.
 3.接触阻抗:30MILLIOHMS MAX.
 4.绝缘阻抗:500MEGOHMS MIN 500V DC.

机械性能
 1.耐久性:750次 MIN.
 2.插入力:22N MAX
 3.拔出力(不带锁扣):22N MAX

环境性能:
 1.存储温度:-40°C~+85°C.
 2.工作温度:0°C TO 70°C.

1. Q1~Q6 FOR QIP DIM.



PCBLAYOUT TOP VIEW
 TOL ±0.05

PART NO. INFORMATION

RJ01- X 5 X X - 033

CONTACT PLATED
 1: G/F 2: AU 3U"
 3: AU 6U" 4: AU 15U"
 5: AU 30U"
 PACKAGE
 R: TAPE REEL
 T: TRAY

HOUSING:
 1:PBT BLACK 2:PBT YELLOW
 3:PA46 BLACK 4:PBT BLUE
 5:PA9T BLUE 6:PA9T YELLOW

8	
7	
6	RX-
5	
4	
3	RX+
2	TX-
1	TX+
PIN序说明	

Bestcreate Technology Limited

TOLERANCES UNLESS OTHERWISE SPECIFIED:

.X	± 0.30	X.*	± 3'
.XX	± 0.20	.X*	± 2'
.XXX	± 0.10	.XX*	± 1'

Website: www.bsc-elec.com
 Email: bestcreate@bsc-elec.com

DESIGN: I. L DATE: 2017. 3. 1

CHECKED: C. W DATE: 2017. 3. 1

APPROVED: C. W DATE: 2017. 3. 1

TITLE: MID MOUNT 8.6MM RJ45 8P8C FEMALE CONNECTOR SMT TYPE

MATERILA: PART NO: RJ01-X5XX-033 SIZE: A4

FINSH: DWG NO: RJ01-X5XX-033

REV: A UNIT mm SCALE 1=1 QUALITY SYMBOLS