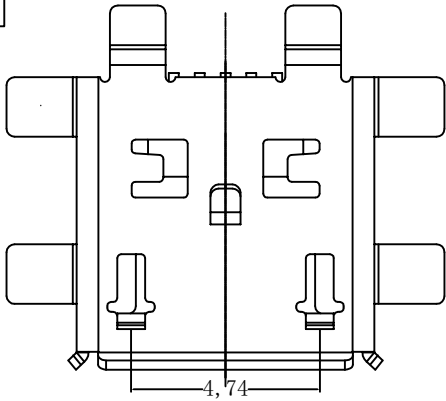
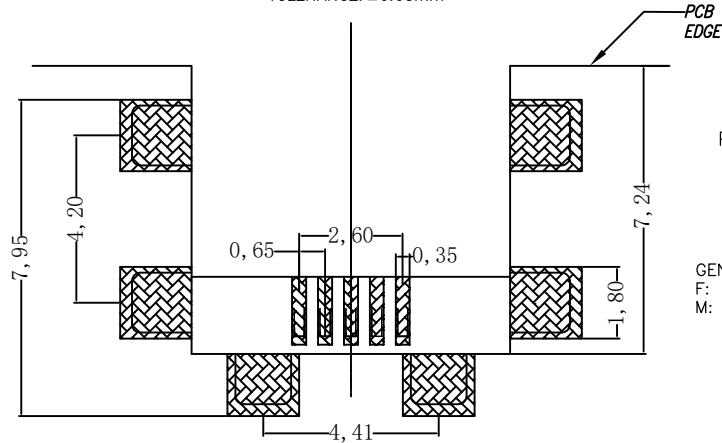


RoHS Compliant

REVISIONS			
REV.	DESCRIPTION	DATE	DESIGN



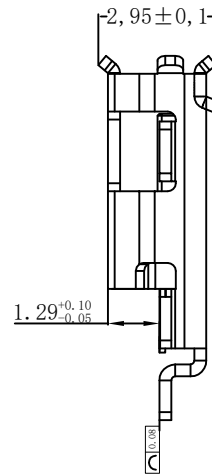
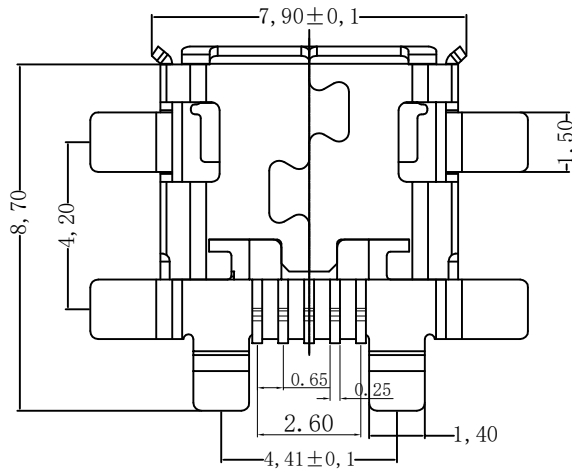
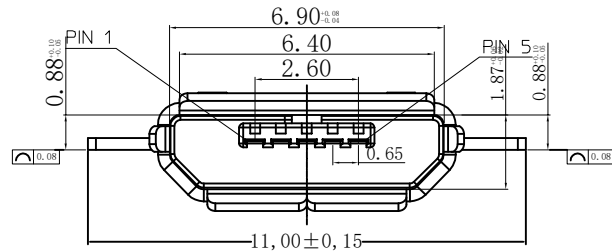
RECOMMENDED PCB LAYOUT
TOLERANCE: ±0.03mm



PART NO. INFORMATION

U01-B F X X 5 R - 504

PORT TYPE B: TYPE B	PACKAGE R: TAPE REEL
GENDER F: FEMALE M: MALE	HOUSING COLOR 2: WHITE 5: BLACK 9: NATURE
CONTACT PLATED 1: GOLD FLASH 2: GOLD 3U" 3: GOLD 5U" 4: GOLD 10U" 5: GOLD 15U" 6: GOLD 30U"	HOUSING MATERIAL A: LCP B: PBT C: PA9T D: PA6T E: PA46 F: PA66



NOTE :

- MATERIAL :
HOUSING : LCP, BLACK, UL94V-0
TERMINAL : COPPER ALLOY THICKNESS = 0.15 MM
SHIELD CASE : STAINLESS STEEL THICKNESS = 0.30 MM
- PLATING :
TERMINAL:
CONTACT AREA : GOLD FLASH OVER MINIMUM 0.75 MICRON Pd/Ni.
SOLDER TAIL AREA : GOLD FLASH.
UNDER PLATING : NICKEL 2.0 MICRON MINIMUM.
SHIELD :
OPTION 1 : MATTE TIN 3.8 MICRON MINIMUM.
UNDER PLATING : NICKEL 1.27 MICRON MINIMUM.
OPTION 2 : NICKEL 1.25 MICRON MINIMUM
- TAIL & NAIL COPLANARITY 0.08 mm MAXIMUM.
- PACKAGING SPECIFICATION : PK-47491-001
- PRODUCT SPECIFICATION : PS-47642-001
- COMPLIANT TO RoHS DIRECTIVE 2002/95/EC AND ELV DIRECTIVE 2000/53/EC.

Bestcreate Technology Limited

TOLERANCES UNLESS OTHERWISE SPECIFIED:

X.	± 0.30	X.*	± 3*
.X	± 0.25	.X*	± 2*
.XX	± 0.20	.XX*	± 1*

DESIGN: I. L
DATE: 2017/3/1

CHECKED: C. W
DATE: 2017/3/1

APPROVED: C. W
DATE: 2017/3/1

TITLE: MID MOUNT MICRO USB 2.0 BF 5P SMT

MATERILA: PART NO: U01-BFXX5R-504 SIZE: A4

FINSH: DWG NO: U01-BFXX5R-504 SHEET: 1 OF 1

REV: A UNIT mm SCALE 1=1 QUALITY SYMBOLS Website: www.bsc-elec.com E-mail: bestcreate@bsc-elec.com