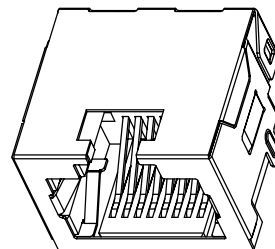
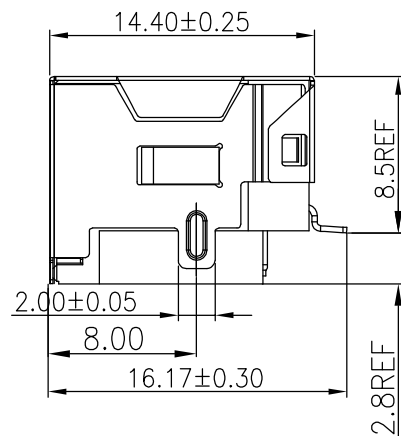
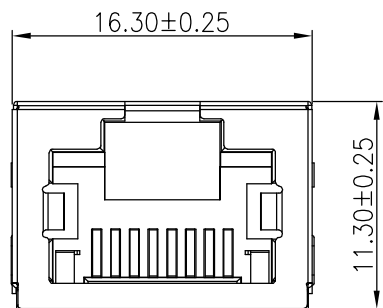


RoHS Compliant

REVISIONS			
REV.	DESCRIPTION	DATE	DESIGN



SPECIFICATION NOTES:

ELECTRICAL:

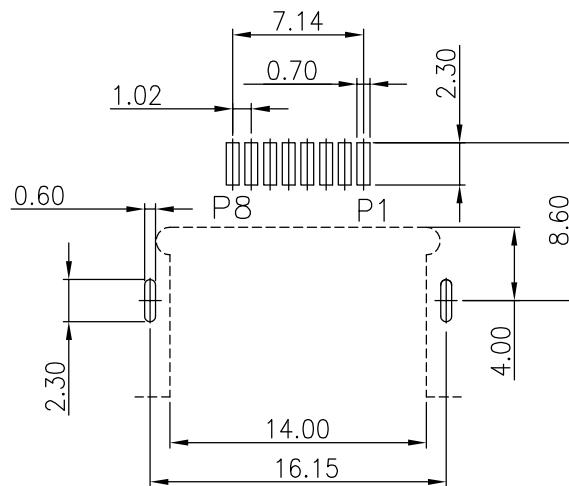
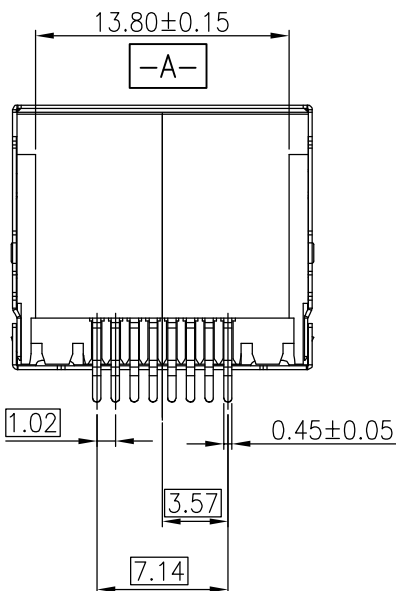
- 1.VOLTAGE RATING: 125 VAC RMS
- 2.CURRENT RATING: 1.5 AMP
- 3.CONTACT RESISTANCE: 40mΩ MAX.
- 4.INSULATION RESISTANCE: 500MΩ MIN. AT100V DC.
- 5.DIELECTRIC STRENGTH: 500 V DC OR AT 0.5mA 50 Hz / 60 Hz FOR 1MINUTE

MECHANICAL:

- 1.HOUSING:LCP BLACK, UL 94V-0
 - 2.CONTACT:PHOSPHOR BRONZE T=0.30MM
 - 3.PLATING:GOLD PLATING AT CONTACT AREA, MATTE TIN AT TAIL 100U MIN., NICKEL 30U MIN. OVER ALL.
 - 4.SHELL:BRASS T=0.20
 - 5.OPERATING LIFE:750 CYCLES MIN.
 - 6.INSERTION FORCE : 22N MAX.
 - 7.REMOVAL FORCE(WITHOUT PLUG LOCK) : 22N MAX.
- MATING/UNMATING FORCE: 30N/3.06KGf MAX.

ENVIRONMENTAL:

- 1.STORAGE:-40°C TO +85°C RELATIVE HUMIDITY<80%
- 2.GUARANTEE PERIOD:12 MONTHS
- 3.OPERATION: -40°C TO +85°C
- 4.MANUAL SOLDERING PARAMETERS:24H IR TEMPERATURE: 260±5°C 5~10 SECONDS.



PCB LAYOUT
TOL:±0.05

PART NO. INFORMATION

RJ01- X 5 X X - 022

CONTACT PLATED

- 1: G/F
- 2: AU 3U"
- 3: AU 6U"
- 4: AU 15U"
- 5: AU 30U"

- PACKAGE
- R: TAPE REEL
- T: TRAY

HOUSING:

- 1:PBT BLACK
- 2:PBT YELLOW
- 3:PA46 BLACK
- 4:PBT BLUE
- 5:PA9T BLUE
- 6:PA9T YELLOW

Bestcreate Technology Limited

TOLERANCES UNLESS OTHERWISE SPECIFIED:

.X	± 0.30	X.*	± 3'
.XX	± 0.20	.X*	± 2'
.XXX	± 0.10	.XX*	± 1'

Website: www.bsc-elec.com
Email: bestcreate@bsc-elec.com

DESIGN: I.L
DATE: 2017.3.1

CHECKED: C.W
DATE: 2017.3.1

APPROVED: C.W
DATE: 2017.3.1

TITLE: MID MOUNT 8.5MM RJ45 8P8C FEMALE CONNECTOR SMT TYPE

MATERILA: PART NO: RJ01-X5XX-022 SIZE: A4

FINSH: DWG NO: RJ01-X5XX-022

REV: A
UNIT: mm
SCALE: 1=1
QUALITY SYMBOLS