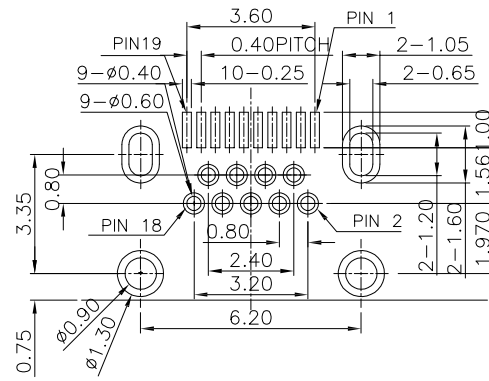
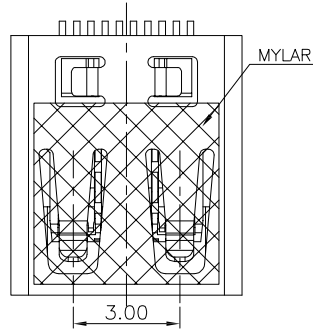


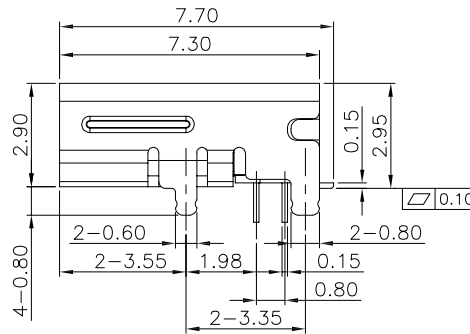
RoHS Compliant

REVISIONS			
REV.	DESCRIPTION	DATE	DESIGN

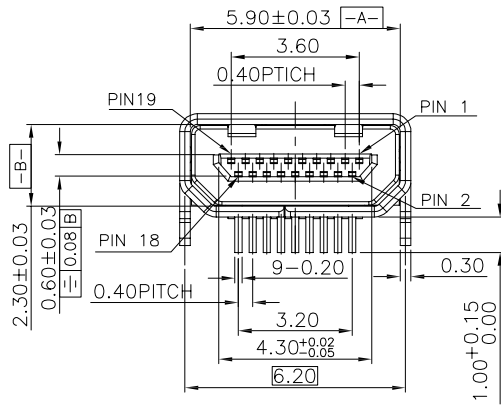
A



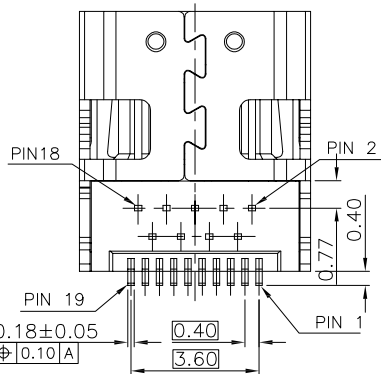
RECOMMENDED PCB LAYOUT THICKNESS =0.8 mm
 TOLERANCE = \pm 0.05 (TOP VIEW)



B



C



D

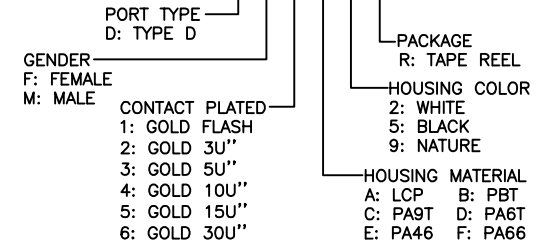
NOTES:

- MATERIAL SPECIFICATION
 - HOUSING: LCP+40% G.F WHITE UL94 V-0.
 - CONTACT: C5191-1/2H T=0.15mm.
 - SHELL: SUS304-1/2H T=0.30mm.
 - MYLAR: KAPTON BASE, POLYIMIDE TAPE.
- PLATING SPECIFICATION
 - CONTACT: Ni50u" UNDER PLATED, GOLD FLASH PLATED ON THE FUNCTIONAL AREA OF CONTACT, GOLD PLATING OR TIN ON SOLDER AREA.
 - SHELL: NICKEL PLATED.
- MECHANICAL PERFORMANCE
 - INSERTION FORCE: 44.1N (4.5 KGF) MAX.
 - WITHDRAWAL FORCE: 4.9N~25N(0.5KGF~2.5KGF).
 - DURABILITY: 5000 CYCLES.
- ELECTRICAL PERFORMANCE
 - CURRENT RATING: 0.3A.
 - LLCR: CONTACT: 30 m Ω MAX(INITIAL), SHELL: 50 m Ω MAX(INITIAL).
 - INSULATION RESISTANCE:
 - A:UNMATED: 100 M Ω MIN. AT 500V DC.
 - B:MATED: 10 M Ω MIN. AT 150V DC.
 - DIELECTRIC WITHSTAND VOLTAGE:
 - 150V AC/60S(MATED), 250V AC/60S(UNMATED).
- IR REFLOW:

THE PEAK TEMPERATURE ON BOARD SHALL BE MAINTAINED FOR 10 SECONDS AT 260 \pm 5°C.
- OPERATING TEMPERATURE RANGE: -20°C~85°C(WITHOUT LOSS FUNCTION).
- RoHS COMPLIANT OR HALOGEN FRREE COMPLIANT

PART NO. INFORMATION

HD03-D F X X 5 R - 006



Bestcreate Technology Limited

TOLERANCES UNLESS OTHERWISE SPECIFIED:

.X	\pm	0.35	X'	\pm	5'
.XX	\pm	0.25	.X'	\pm	2'
.XXX	\pm	0.15	.XX'	\pm	1'

Website:www.bsc-elec.com

Email:bestcreate@bsc-elec.com

DESIGN:

I. L

CHECKED:

C. W

APPROVED:

C. W

DATE:

2017. 3. 1

DATE:

2017. 3. 1

DATE:

2017. 3. 1

TITLE:

HDMI D TYPE FEMALE DIP&SMT PIN

L=1.0mm

MATERIAL:

FINSH:

PART NO:

DWG NO:

HD03-DFXX5R-006

HD03-DFXX5R-006

SIZE: A4

REV:

A

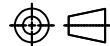
UNIT

mm

SCALE

1=1

QUALITY SYMBOLS



1

2

3

4

5

6

7

8