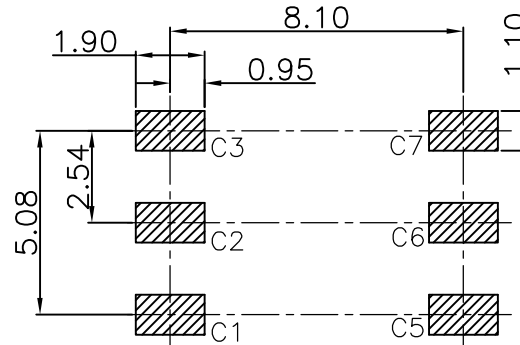
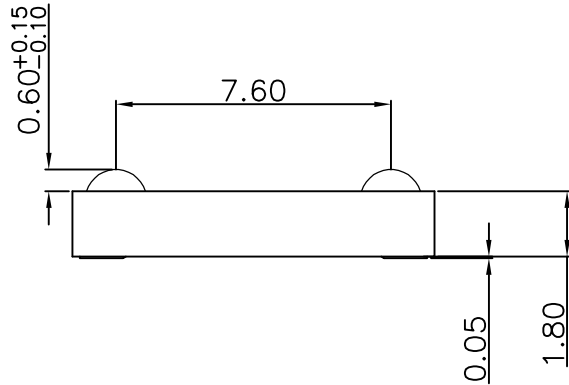
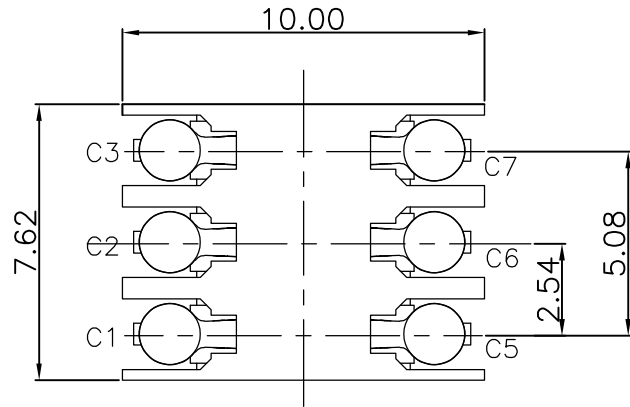


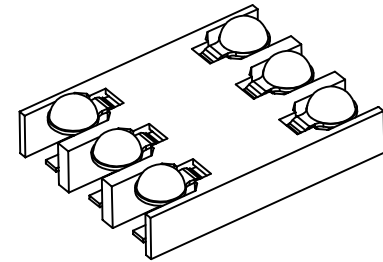
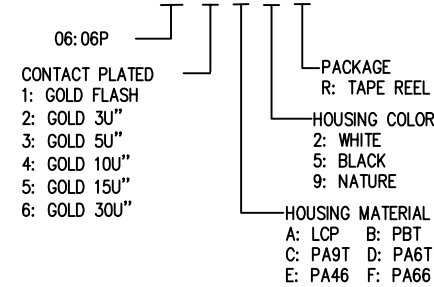
RoHS Compliant



NOTES:

- Material:
Housing:HI-Temp plastic UL 94V-0
Contact:Copper Alloy
- Finish :
CONTACT:G/F" Gold plated on conatct area;
G/F plated on solder tails, Base Nickel :30u"Min
- Part number information:

SIM -06 X X 5 R - 002



SIM CARD	
PIN NO.	DESCRIPTION
C1	VCC
C2	RST
C3	CLK
C5	GND
C6	VPP
C7	I/O

Bestcreate Technology Limited

TOLERANCES UNLESS OTHERWISE SPECIFIED:

.X	±	0.35	X.*	±	5*
.XX	±	0.25	.X*	±	2*
.XXX	±	0.15	.XX*	±	1*

Website:www.bsc-elec.com
Email:bestcreate@bsc-elec.com

DESIGN: I.L
DATE: 2017.3.1
CHECKED: C.W
DATE: 2017.3.1
APPROVED: C.W
DATE: 2017.3.1

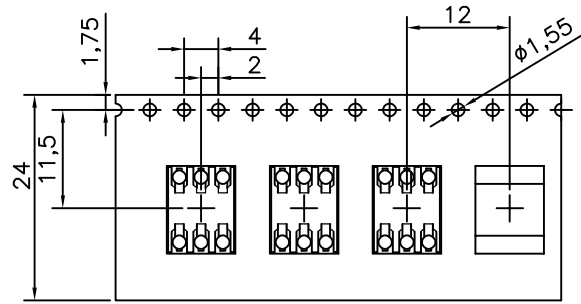
TITLE: 简易 SIM CARD 6P 1.8H

MATERIAL: SIM-06XX5R-002
PART NO: SIM-06XX5R-002
FINISH: SIM-06XX5R-002
SIZE: A4
SHEET: 1 OF 2

REV: A
UNIT: mm
SCALE: 1=1
QUALITY SYMBOLS: [Symbol]

RoHS Compliant

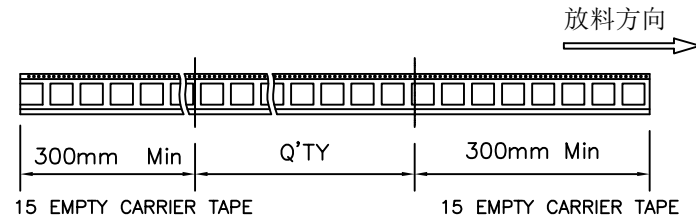
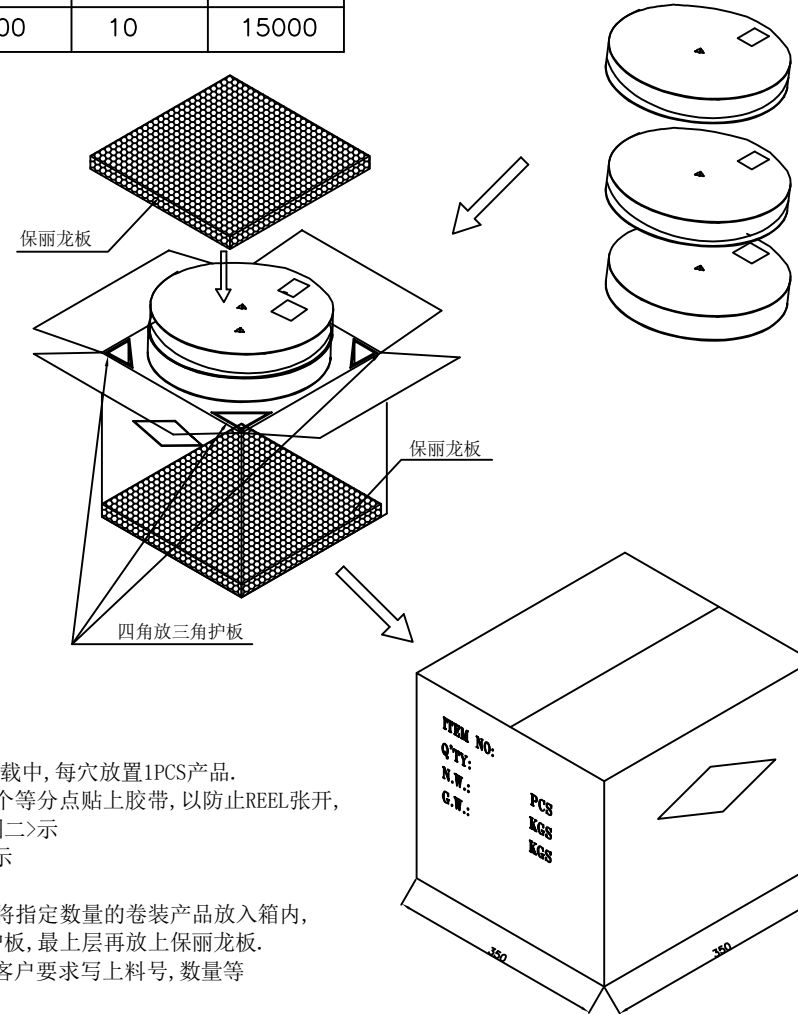
<图一>



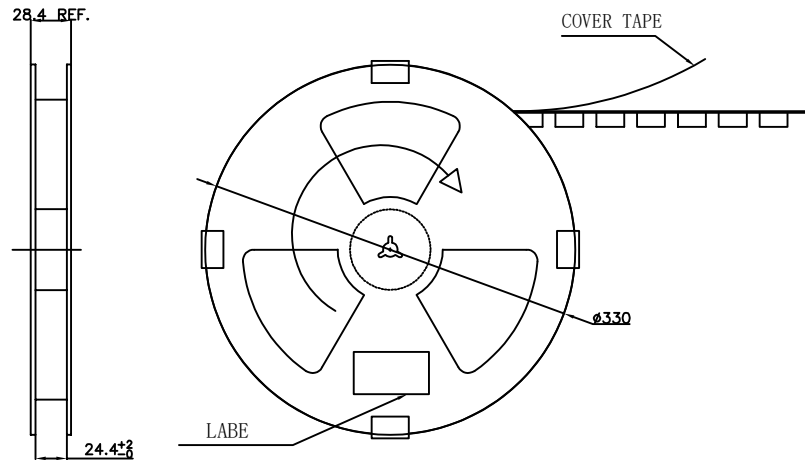
<TABLE 1> PACKAGING QUANTITY

QTY/REEL	REEL/CARTON	QTY/CARTON
1500	10	15000

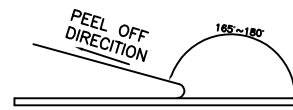
<图三>



<图二>



COVER TAPE PEELING FORCE:50gf~150gf



NOTE:

- 1.依<图一>示放置产品于下载中, 每穴放置1PCS产品.
- 2.包装机包好后, 在REEL的个等分点贴上胶带, 以防止REEL张开, 每REEL贴1PCS标签, 如<图二>示
- 3.包装数量见如<TABLE 1>示
- 4.包装成箱见如<图三>示
箱底放保利龙板, 再依次将指定数量的卷装产品放入箱内, 四角分别放入四个三角护板, 最上层再放上保利龙板.
- 5.封箱, 在封好的纸箱上按客户要求写上料号, 数量等

Bestcreate Technology Limited

TOLERANCES UNLESS OTHERWISE SPECIFIED:

.X	±	0.35	X.*	±	5*
.XX	±	0.25	.X*	±	2*
.XXX	±	0.15	.XX*	±	1*

DESIGN: I.L DATE: 2017. 3. 1

CHECKED: C.W DATE: 2017. 3. 1

APPROVED: C.W DATE: 2017. 3. 1

TITLE: 简易SIM CARD1.2-2.0H 包装图

MATERILA: PART NO: SIM-06XX5R-002 SIZE: A4

FINSH: DWG NO: SIM-06XX5R-002 SHEET: 2 OF 2

REV: A UNIT mm SCALE 1=1 QUALITY SYMBOLS

Website:www.bsc-elec.com Email:bestcreate@bsc-elec.com