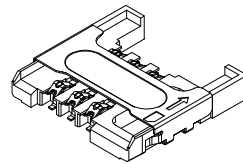
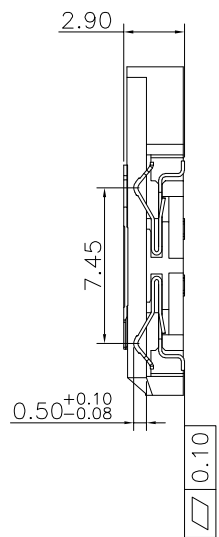
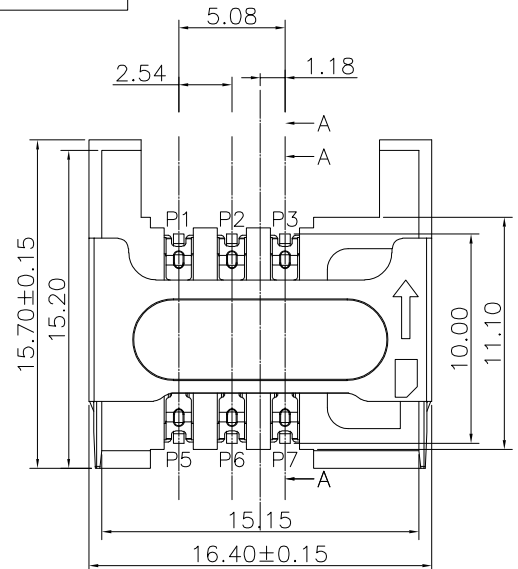


RoHS Compliant

REVISIONS			
REV.	DESCRIPTION	DATE	DESIGN

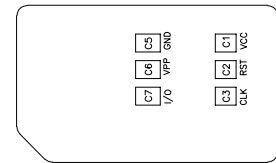
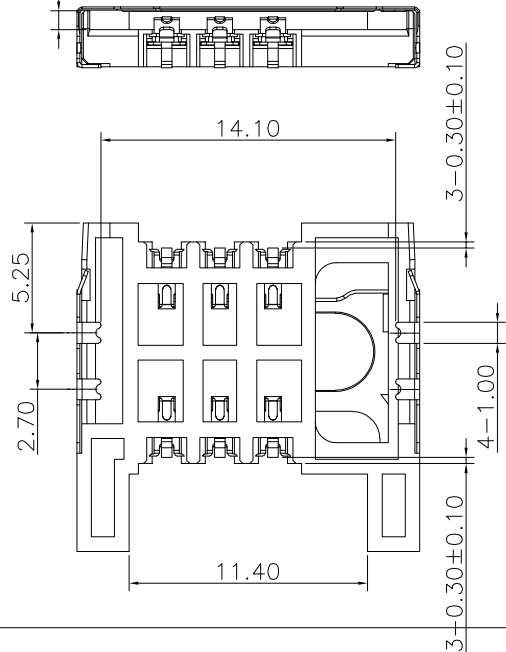


NOTES:
 1)MATERIAL:
 HOUSING: LCP+30%G.F UL 94V-0 BALCK
 CONTACT: SUS 201 T=0.15H
 SHELL: C5210 T=0.15H
 2)FINISH :
 CONTACT: Au 1u" PLATED ON CONTACT AREA;
 AU 1u" PLATING ON SOLDER TAILS,
 WITH ENTIRE CONTACT UNDERPLATED NICKEL 30u"MIN
 SHELL: WITH ENTIRE CONTACT UNDERPLATED NICKEL 50u"MIN
 Au 1u" PLATED ON SOLDER TAILS
 3)PART NO.:

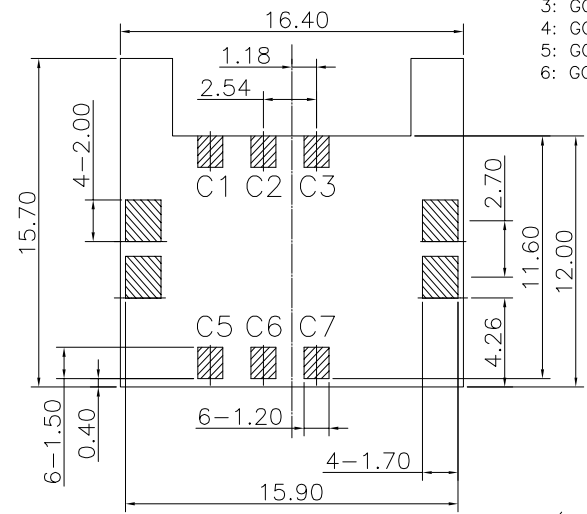
PART NO. INFORMATION

MCSIM - 06 X X 5 R - 008

- 06:6P
- CONTACT PLATED
- 1: GOLD FLASH
- 2: GOLD 3U"
- 3: GOLD 5U"
- 4: GOLD 10U"
- 5: GOLD 15U"
- 6: GOLD 30U"
- PACKAGE
- R: TAPE REEL
- HOUSING COLOR
- 2: WHITE
- 5: BLACK
- 9: NATURE
- HOUSING MATERIAL
- A: LCP B: PBT
- C: PA9T D: PA6T
- E: PA46 F: PA66



PIN NO.	DESCRIPTION
P1#	C1:VCC
P2#	C2:RST
P3#	C3:CLK
P4#	C5:GND
P5#	C6:VPP
P6#	C7:I/O



Bestcreate Technology Limited

TOLERANCES UNLESS OTHERWISE SPECIFIED:			
.X	± 0.35	X'	± 5'
.XX	± 0.25	.X'	± 2'
.XXX	± 0.15	.XX'	± 1'
Website:www.bsc-elec.com			
Email:bestcreate@bsc-elec.com			

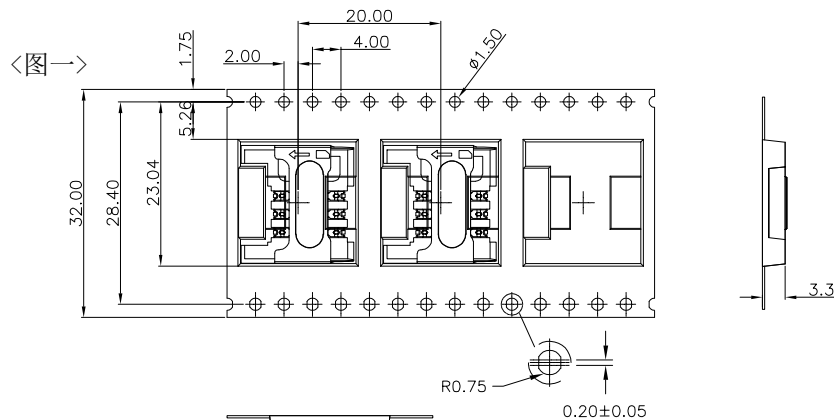
DESIGN:	DATE:
I. L	2017. 3. 1
CHECKED:	DATE:
C. W	2017. 3. 1
APPROVED:	DATE:
C. W	2017. 3. 1

TITLE: SIM CARD 6P 2.9H, CONNECTING BRIDEG		
MATERILA:	PART NO: MCSIM-06XX5R-008	SIZE: A4
FINSH:	DWG NO: MCSIM-06XX5R-008	1 OF 2

REV: A	UNIT mm	SCALE 1=1	QUALITY SYMBOLS
--------	---------	-----------	-----------------

RoHS Compliant

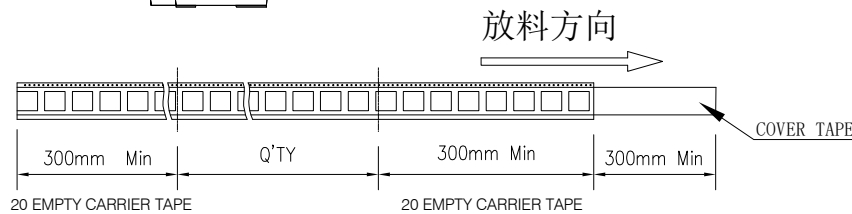
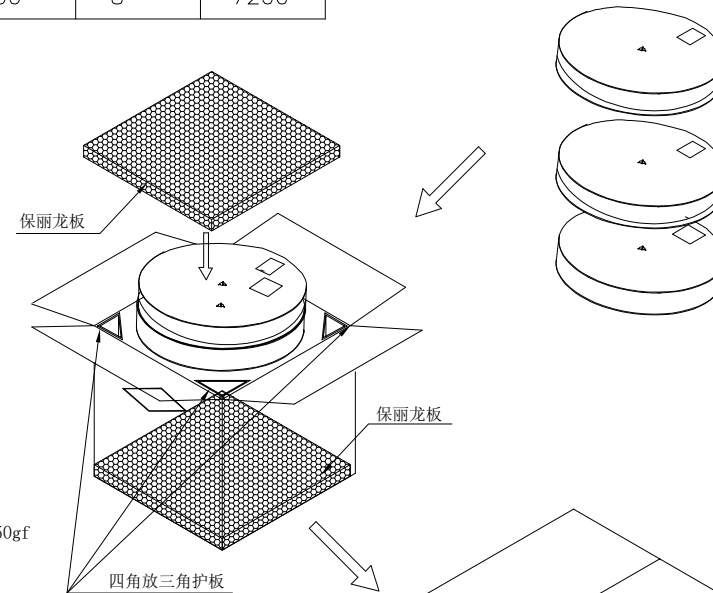
REVISIONS			
REV.	DESCRIPTION	DATE	DESIGN



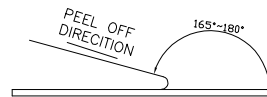
<TABLE 1> PACKAGING QUANTITY

QTY/REEL	REEL/CARTON	QTY/CARTON
900	8	7200

<图三>



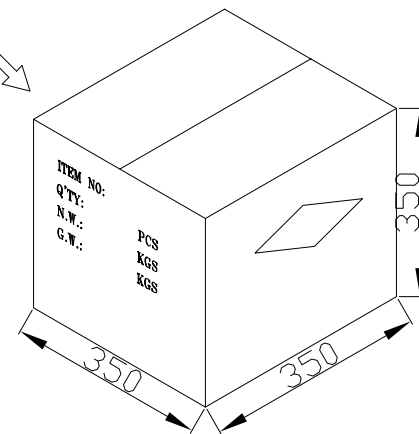
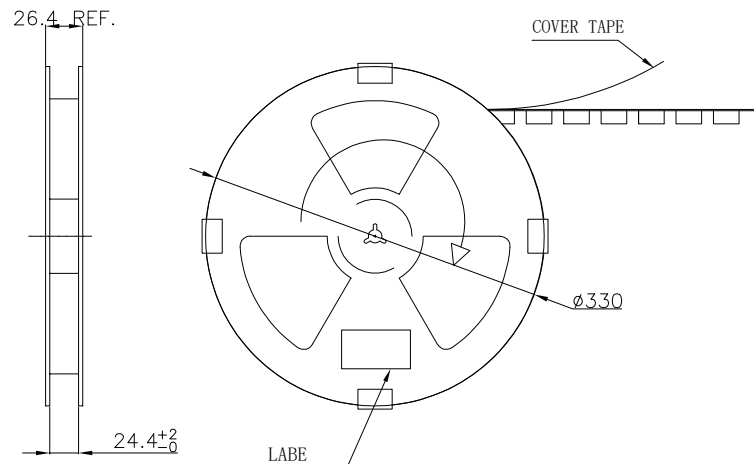
COVER TAPE PEELING FORCE: 50gf~150gf



NOTE:

- 依<图一>示放置产品于下载中, 每穴放置1PCS产品.
- 包装机包好后, 在REEL的个等分点贴上胶带, 以防止REEL张开, 每REEL贴1PCS标签, 如<图二>示
- 包装数量见如<TABLE 1>示
- 包装成箱见如<图三>示
箱底放保丽龙板, 再依次将指定数量的卷装产品放入箱内, 四角分别放入四个三角护板, 最上层再放上保丽龙板.
- 封箱, 在封好的纸箱上按客户要求写上料号, 数量等

<图二>



Bestcreate Technology Limited

TOLERANCES UNLESS OTHERWISE SPECIFIED:

.X	± 0.35	X'	± 5'
.XX	± 0.25	.X'	± 2'
.XXX	± 0.15	.XX'	± 1'

Website: www.bsc-elec.com
Email: bestcreate@bsc-elec.com

DESIGN: I. L
DATE: 2017. 3. 1

CHECKED: C. W
DATE: 2017. 3. 1

APPROVED: C. W
DATE: 2017. 3. 1

TITLE: SIM CARD 6P 2. 9H,
CONNECTING BRIDEG

MATERILA: PART NO: MCSIM-06XX5R-008
SIZE: A4

FINSH: DWG NO: MCSIM-06XX5R-008
2 OF 2

REV: A
UNIT: mm
SCALE: 1=1
QUALITY SYMBOLS

1

2

3

4

5

6

7

8