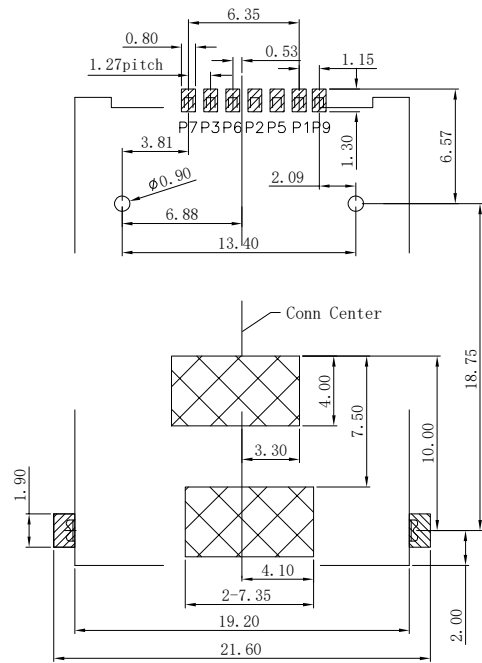
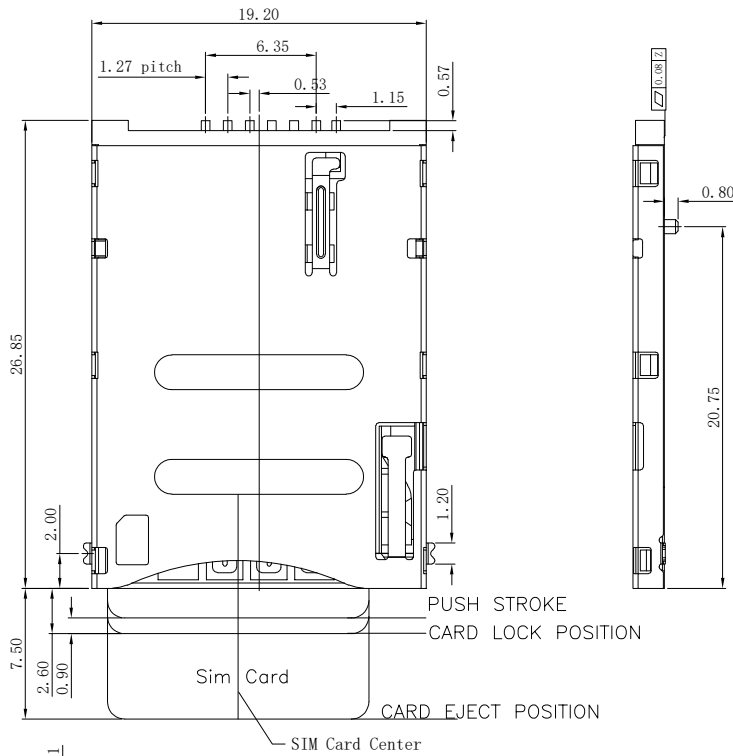




RoHS Compliant

REVISIONS			
REV.	DESCRIPTION	DATE	DESIGN

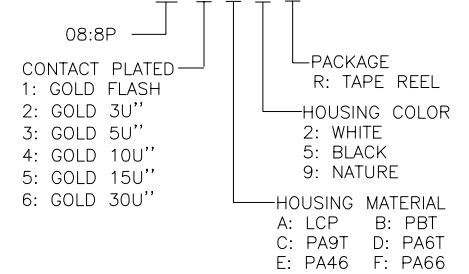


RECOMMENDED PCB LAYOUT
 GENERAL TOLERANCE ±0.05
 PAD AREA
 FORBIDDEN AREA

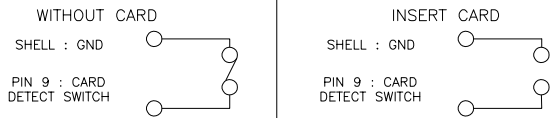
Specification:

- *Electrical Characteristics:
 Current Rating:0.5A.
 Withstanding Voltage:AC500V r.m.s.
 Insulation Resistance:1000Megohms Minimum at DC 500V
 Contact Resistance:100Miliohms Maximum.
- *Mechanical Characteristics:
 Mating Cyeles:3000 Insertions.
- *Environmwntal:
 Operating Temperture:−25°To+70°
- *Material:
 1.Housing:HI-Temp plastic UL 94V-0 Rated.
 2.Contact:Copper Alloy.
 3.Shell:SUS.
- *Finish :
 1u" Gold plated on conact area,1u"Min Au plated on solder tails, Base Nickel :30u"Min
- *Packing:
 Number of connectors:750Pcs/REEL
- *PART NO.INFORMATION

MISIM - 08 X X 5 R - 003



Circuit Diagram for Card Detect Switch



Connector terminal NO.	Pin NO.
Pin 1	VCC:PWR signal and GND
Pin 2	RST:Reset signal
Pin 3	CLK:Clocking signal
Pin 5	GND:PWR signal and GND
Pin 6	VPP:Porgramming Voltage
Pin 7	I/O:Serial date input/output

Bestcreate Technology Limited

TOLERANCES UNLESS OTHERWISE SPECIFIED:

.X	± 0.35	X'	± 5'
.XX	± 0.25	.X'	± 2'
.XXX	± 0.15	.XX'	± 1'

Website:www.bsc-elec.com
 Email:bestcreate@bsc-elec.com

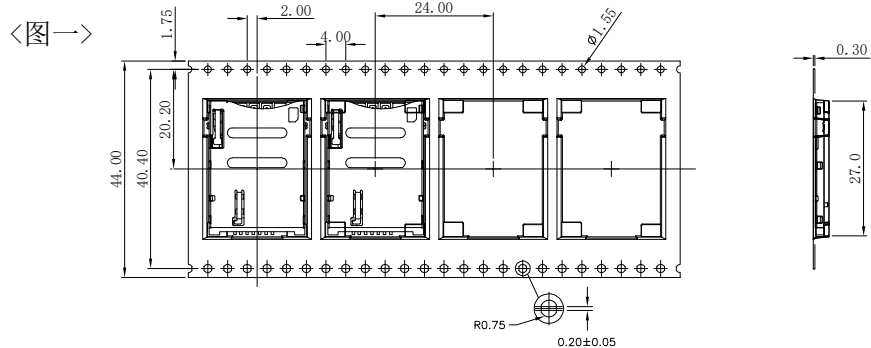
DESIGN:	DATE:
I. L	2017. 3. 1
CHECKED:	DATE:
C. W	2017. 3. 1
APPROVED:	DATE:
C. W	2017. 3. 1

TITLE: SIM CARD PUSH PUSH(6+1PIN) WITH LOCK PIN 1.85H		
MATERILA:	PART NO:	SIZE: A4
FINSH:	DWG NO:	1 OF 2
	MISIM-08XX5R-003	
	MISIM-08XX5R-003	

REV: A	UNIT mm	SCALE 1=1	QUALITY SYMBOLS
--------	---------	-----------	-----------------

RoHS Compliant

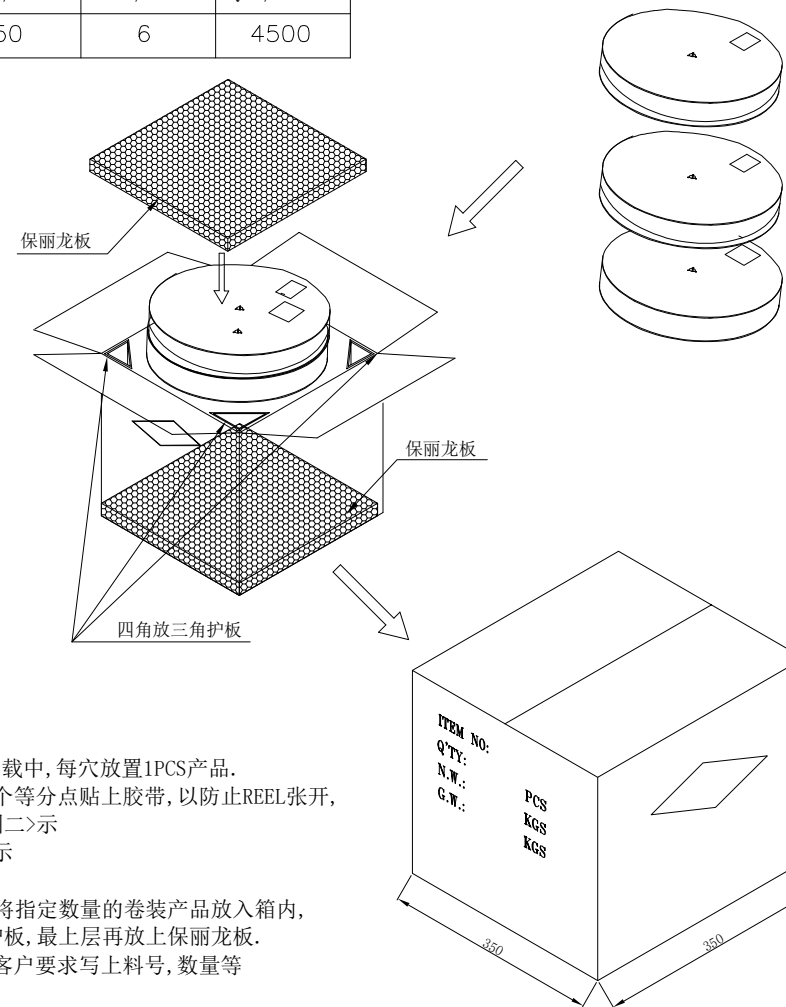
REVISIONS			
REV.	DESCRIPTION	DATE	DESIGN



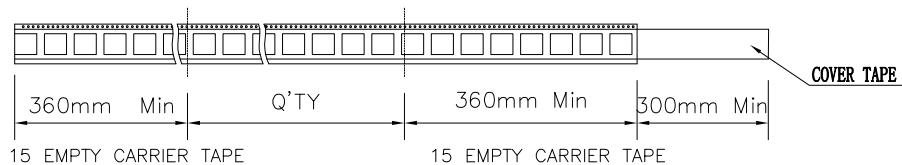
<TABLE 1> PACKAGING QUANTITY

QTY/REEL	REEL/CARTON	QTY/CARTON
750	6	4500

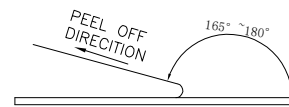
<图三>



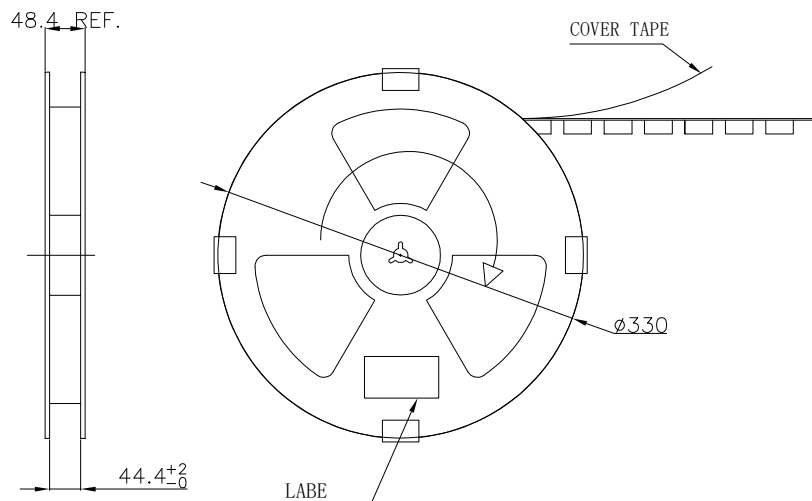
放料方向



COVER TAPE PEELING FORCE: 50gf~150gf



<图二>



NOTE:

1. 依<图一>示放置产品于下载中, 每穴放置1PCS产品.
2. 包装机包好后, 在REEL的个等分点贴上胶带, 以防止REEL张开, 每REEL贴1PCS标签, 如<图二>示
3. 包装数量见如<TABLE 1>示
4. 包装成箱见如<图三>示
箱底放保利龙板, 再依次将指定数量的卷装产品放入箱内, 四角分别放入四个三角护板, 最上层再放上保利龙板.
5. 封箱, 在封好的纸箱上按客户要求写上料号, 数量等

Bestcreate Technology Limited

TOLERANCES UNLESS OTHERWISE SPECIFIED:

.X	± 0.35	.X'	± 5'
.XX	± 0.25	.X'	± 2'
.XXX	± 0.15	.X'	± 1'

Website: www.bsc-elec.com
Email: bestcreate@bsc-elec.com

DESIGN: I. L
DATE: 2017. 3. 1

CHECKED: C. W
DATE: 2017. 3. 1

APPROVED: C. W
DATE: 2017. 3. 1

TITLE: SIM CARD PUSH PUSH(6+1PIN)
WITH LOCK PIN 1.85H

MATERILA:	PART NO: MISIM-08XX5R-003	SIZE: A4
FINSH:	DWG NO: MISIM-08XX5R-003	2 OF 2

REV: A	UNIT: mm	SCALE: 1=1	QUALITY SYMBOLS
--------	----------	------------	-----------------