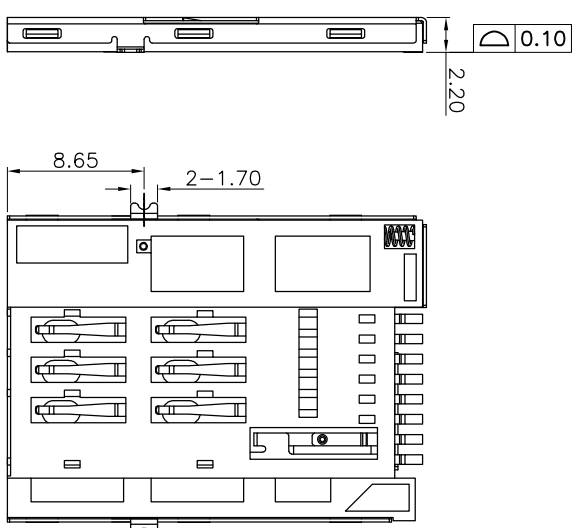
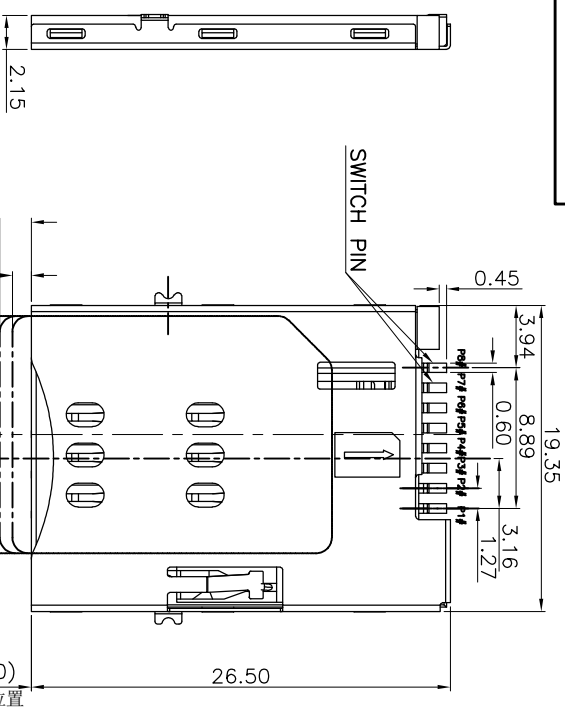
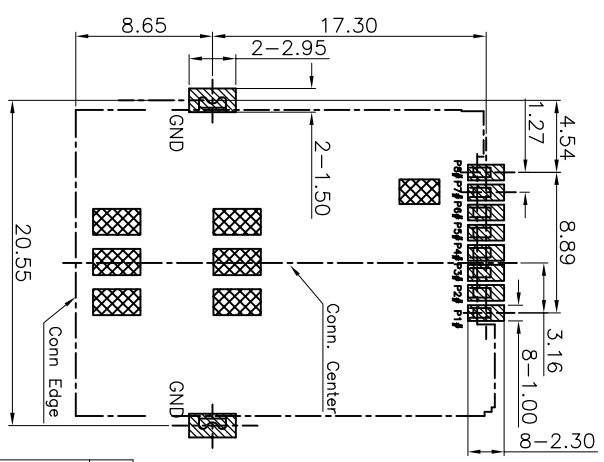
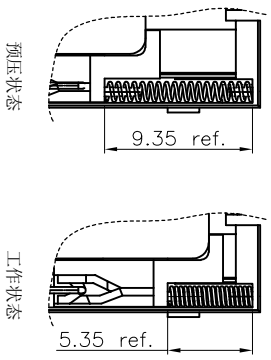


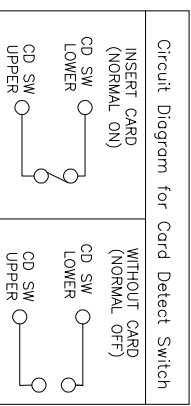
Rohs Compliant



PIN NO.	DESCRIPTION
P1#	C1:VCC
P2#	C5:GND
P3#	C2:RST
P4#	C6:VPP
P5#	C3:CLK
P6#	C7:I/O
P7#	POL
P8#	DET



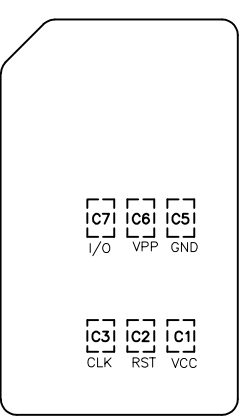
RECOMMENDED PCB LAYOUT(TOP VIEW)  
GENERAL TOLERANCES:±0.05



SOLDER AREA  
 NONE CIRCUIT DIAGRAM AREA

- CONTACT PLATED
- 1: GOLD FLASH
  - 2: GOLD 3U"
  - 3: GOLD 5U"
  - 4: GOLD 10U"
  - 5: GOLD 15U"
  - 6: GOLD 30U"

- 08:08P
- PACKAGE
- R: TAPE REEL
- HOUSING COLOR
- 2: WHITE
  - 5: BLACK
  - 9: NATURE
- HOUSING MATERIAL
- A: LCP B: PBT  
C: PA9T D: PA6T  
E: PA46 F: PA66



NOTES:

- 1) MATERIAL:  
HOUSING: LCP UL 94V-0  
CONTACT: C5210R-H,T=0.15  
SHELL: SUS201,T=0.15  
MYLAR: POLYESTER
- 2) FINISH :  
CONTACT:GOLD FLASH PLATED ON CONTACT AREA;  
GOLD FLASH PLATING ON SOLDER TAILS, WITH ENTIRE CONTACT UNDERPLATED 30u"Min,NICKEL SHELL: 50u"Min, NICKEL UNDERPLATED OVERALL , GOLD FLASH PLATED ON SOLDER TAILS
- 3) INFRARED REFLOW SOLDERING: 10sec. Min. at 260±10
- 4) PART NUMBER INFORMATION:

**MSIM -08 X X 5 R - 006**

**Bestcreate Technology Limited**

REV: A	UNIT mm	SCALE 1=1	QUALITY SYMBOLS
--------	---------	-----------	-----------------

TOLERANCES UNLESS OTHERWISE SPECIFIED:

X	± 0.35	X'	± 5'
.XX	± 0.25	.X'	± 2'
.XXX	± 0.15	.XX'	± 1'

Website: www.bsc-elec.com  
Email: bestcreate@bsc-elec.com

DESIGN: DATE: 2017.3.1

CHECKED: DATE: 2017.3.1

APPROVED: DATE: 2017.3.1

TITLE: PUSH SIM CARD 6+2PIN  
2.20H

MATERIAL: MSIM-08XX5R-006

PART NO: MSIM-08XX5R-006

DWG NO: MSIM-08XX5R-006

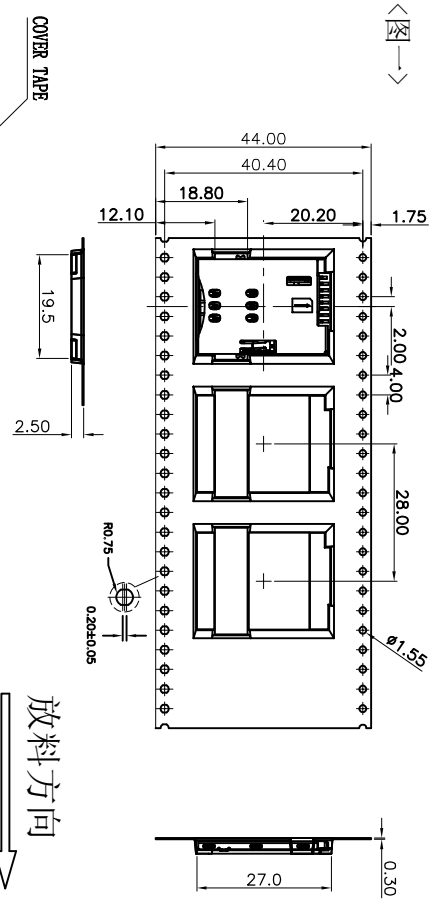
FINSH:

SIZE: A4

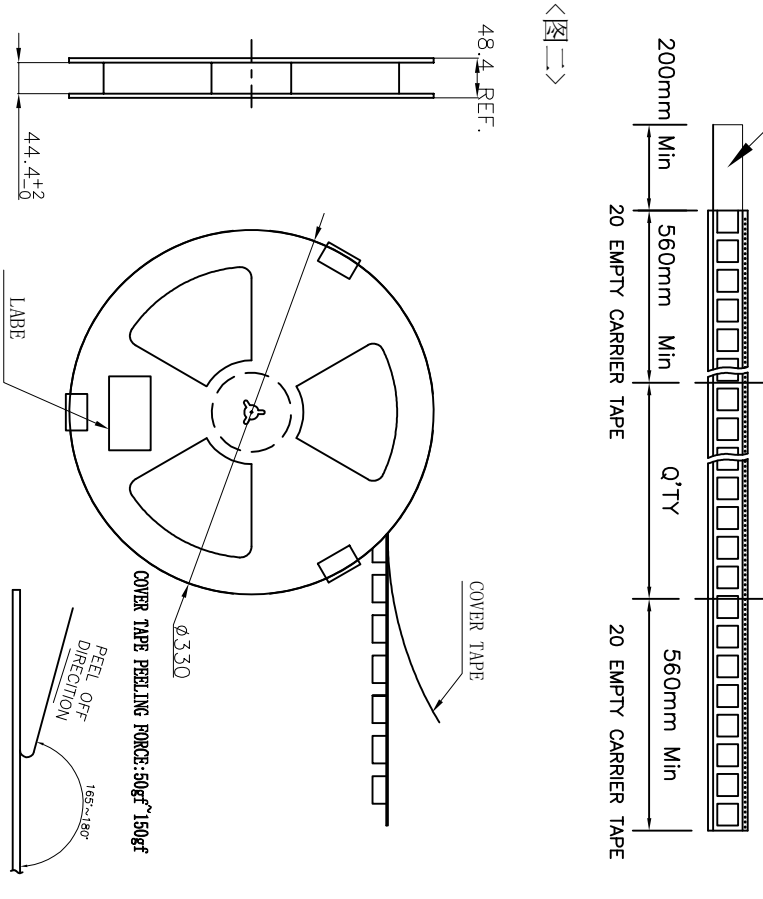
SHEET: 1 OF 2

Rohs Compliant

<图一>



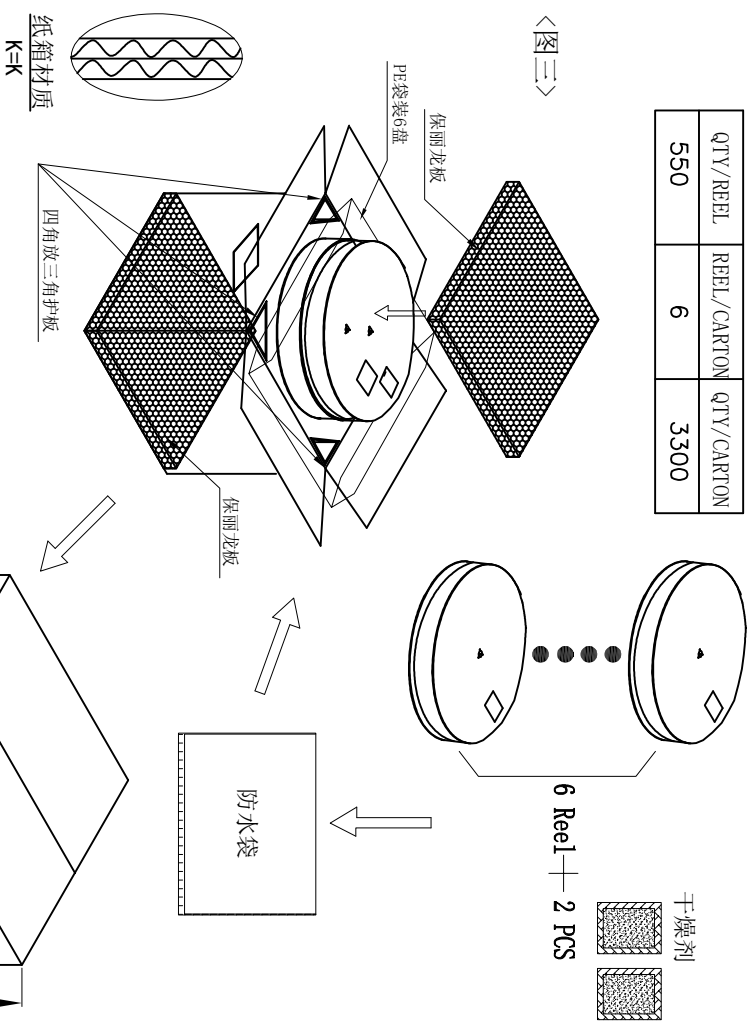
<图二>



<TABLE 1> PACKAGING QUANTITY

QTY/REEL	REEL/CARTON	QTY/CARTON
550	6	3300

<图三>



备注:

1. 依<图一>示放置产品于Carrier tape中, 每次放置1PCS产品, Carrier tape卷绕时, 前端和尾端各需预留20PCS空格.
2. Cover tape覆盖Carrier tape前端需超出200mmMIN, 后端需留出300mmMIN, 两端都以美文胶贴固.
3. 包装机包好后, 在Reel的个等分点贴上胶带, 以防止REEL张开, 每Reel贴1PCS标签, 如<图二>所示
4. 包装数量见如<TABLE 1>所示
5. 包装成箱见如<图三>所示
6. 封箱, 在封好的纸箱侧面中间位置贴上出货标签.

TOLERANCES UNLESS OTHERWISE SPECIFIED:

$\phi$	L	0.35	0.5	0.75	1.0
XXX	±	±	±	±	±
XXX	±	±	±	±	±

DESIGN: DATE: 2017.3.1

CHECKED: DATE: 2017.3.1

APPROVED: DATE: 2017.3.1

TITLE: SIM CARD PUSH 6+2PIN

2. 2H (侦测一体) 包装图

PART NO: MSIM-08XX5R-006

SIZE: A4

# Bestcreate Technology Limited

REV: A UNIT mm SCALE 1=1 QUALITY SYMBOLS

Website: www.bsc-elec.com  
Email: bestcreate@bsc-elec.com

DESIGN: DATE: 2017.3.1  
CHECKED: DATE: 2017.3.1  
APPROVED: DATE: 2017.3.1

MATERIAL: MSIM-08XX5R-006  
PART NO: MSIM-08XX5R-006  
SIZE: A4  
SHEET: 2 OF 2

1 2 3 4 5 6 7 8