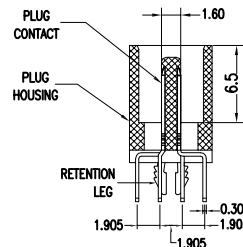
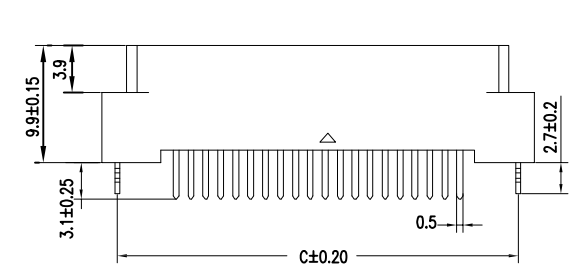
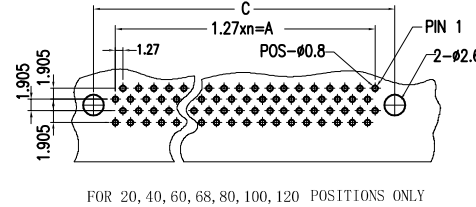
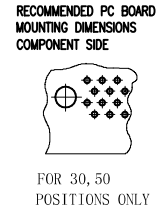
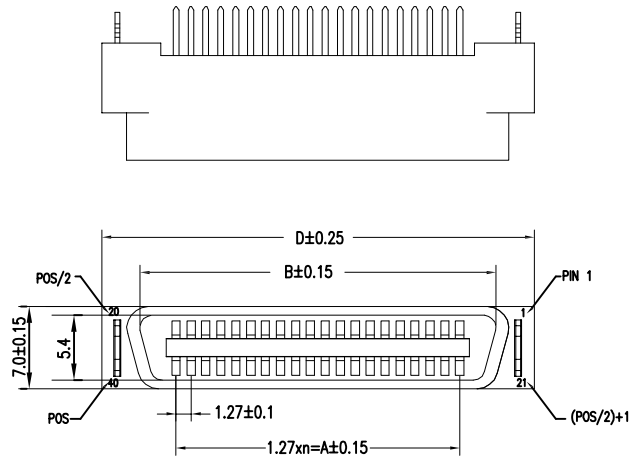


RoHS Compliant

REVISIONS			
REV.	DESCRIPTION	DATE	DESIGN

SPECIFICATIONS  
 Rated Current:1.0AMP  
 Contact Resistance:35mΩ Max  
 Withstand Voltage:500V AC/DC  
 Insulation Resistance:500MΩ Min  
 Operation Temperature:-40°C to +105°C

Contact Material:Phosphor bronze  
 Contact Plating:Au or Sn Over Ni  
 Insulator Material:Polyester(UL94V-0)  
 Standard: LCP  
 Max.Processing Temp: 230°C for 30-60 seconds(260°C for 10 seconds)



120	74.93	80.74	84.90	87.55	59
100	62.23	68.04	72.20	74.85	49
80	49.53	55.34	59.50	62.13	39
68	41.91	47.72	51.88	54.53	33
60	36.83	42.64	46.80	49.45	29
50	30.48	36.29	40.45	43.10	24
40	24.13	29.94	34.10	36.70	19
30	17.78	23.59	27.75	30.35	14
20	11.43	17.24	21.40	24.00	9
POS	A	B	C	D	n

PART NO. INFORMATION

SCSI-1 M X XX 5 T - 002

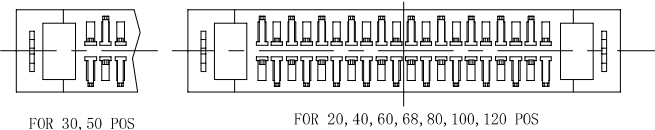
SERIES NUMBER  
1:1.27MM ALL-PLASTIC

GENDER  
F: FEMALE  
M: MALE

PACKAGE  
T: TRAY  
HOUSING COLOR  
2: WHITE  
5: BLACK  
9: NATURE

CONTACT PLATED  
1: GOLD FLASH  
2: GOLD 3U"  
3: GOLD 5U"  
4: GOLD 10U"  
5: GOLD 15U"  
6: GOLD 30U"

PIN NUMBER:  
20:20P 30:30P  
40:40P 50:50P  
60:60P 68:68P  
80:80P 100:100P  
120:120P



ITEM	DESC.	MATERIAL	REMARKS	PART REMARKS
3	BOARDLOCKS	COPPER ALLOY	PLATING: Tin	
2	HOUSING	LCP	COLOR: BLACK	
1	TERMINAL	COPPER ALLOY	CONTACT AREA: Au 3u" SOLDER AREA: Sn UNDER-PLATING: Ni	

**Bestcreate Technology Limited**

TOLERANCES UNLESS OTHERWISE SPECIFIED:

.X	± 0.30	X.'	± 3'
.XX	± 0.20	.X'	± 2'
.XXX	± 0.10	.XX'	± 1'

Website:www.bsc-elec.com  
 Email:bestcreate@bsc-elec.com

DESIGN: I. L DATE: 2022. 3. 16

CHECKED: C. W DATE: 2022. 3. 16

APPROVED: C. W DATE: 2022. 3. 16

TITLE:  
1.27MM SERIES SCSI MALE CONNECTOR  
STRAIGHT WITH ALL PLASTIC

MATERIA:	PART NO: SCSI-1MXXX5T-002	SIZE: A4
FINSH:	DWG NO: SCSI-1MXXX5T-002	

REV: A	UNIT mm	SCALE 1=1	QUALITY SYMBOLS
--------	---------	-----------	-----------------