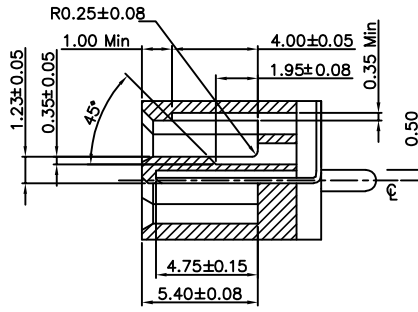
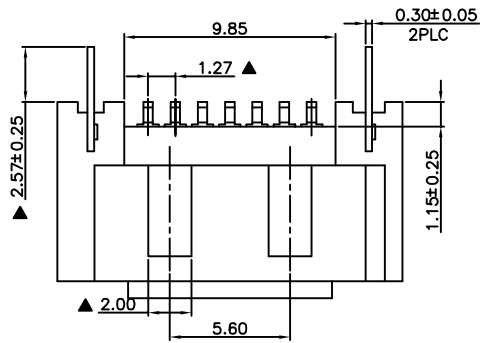


RoHS Compliant

REVISIONS			
REV.	DESCRIPTION	DATE	DESIGN



SECTION A-A

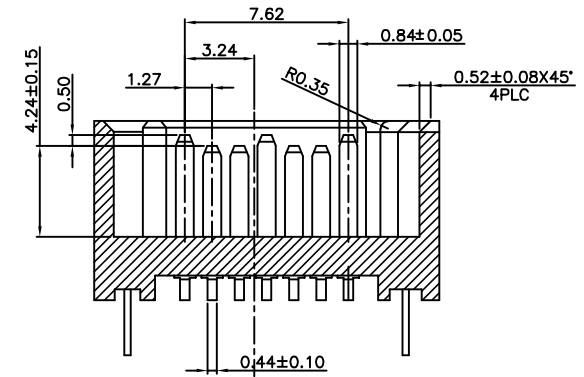
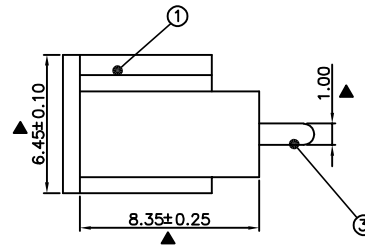
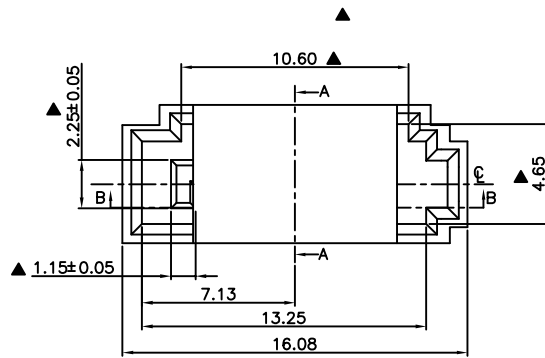
SPECIFICATION:

1.MATERIAL:

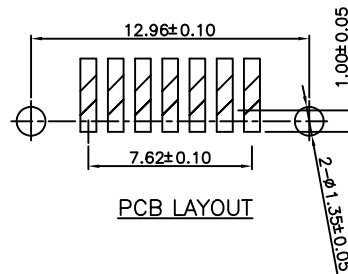
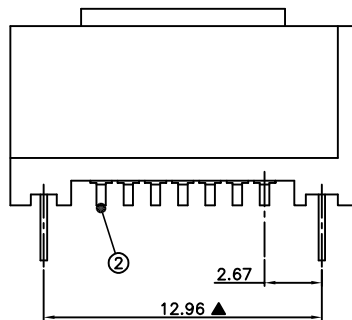
HOUSING: LCP LG431-9731L 30% G/F UL 94V-0
 COLOR:BLACK
 CONTACT:BRASS C2680R-H,T=0.25mm
 PEG: BRASS C2680R-H,T=0.30mm

2.FINISH:

CONTACT: 15u" GOLD/TIN PLATING ON CONTACT AREA
 100u" MIN. TIN PLATING ON SOLDERTAILS
 50u" MIN.NICKEL UNDERPLATING OVER ALL
 PEG: 100u" MIN. TIN PLATING ON SOLDERTAILS
 50u" MIN.NICKEL UNDERPLATING OVER ALL



SECTION B-B



PCB LAYOUT

PART NO. INFORMATION

S700 - M X A 5 T -007

GENDER:
 F: FEMALE
 M: MALE

CONTACT PLATED:
 1: GOLD FLASH/TIN
 2: 15U" GOLD/TIN
 3: 30U" GOLD/TIN

PACKAGE:
 T: TRAY
 R:TAPE REEL

HOUSING COLOR:
 5: BLACK

HOUSING MATERIAL:
 A: LCP

NO.	DESCRIPTION	MATERIAL	COLOR	REMARK
3	Board lock	Brass C2680		Gold/Ni Plated
2	Terminal	Brass C2680		Gold/Tin Plated
1	Housing	High Temp	Black	UL 94V-0

Bestcreate Technology Limited

TOLERANCES UNLESS OTHERWISE SPECIFIED:

X.	± 0.30	X.*	± 3"
.X	± 0.20	.X*	± 2"
.XX	± 0.15	.XX*	± 1"

Website: www.bsc-elec.com

E-mail: bestcreate@bsc-elec.com

DESIGN:

I. L

DATE:

2017. 3. 1

CHECKED:

C. W

DATE:

2017. 3. 1

APPROVED:

C. W

DATE:

2017. 3. 1

TITLE:

SATA 7P MALE A TYPE CONNECTOR

MATERIAL:

S700-MXA5T-007

FINISH:

S700-MXA5T-007

PART NO:

S700-MXA5T-007

DWG NO:

S700-MXA5T-007

SIZE:

A4

SHEET:

1 OF 1

REV: A

UNIT mm

SCALE 1=1

QUALITY SYMBOLS

