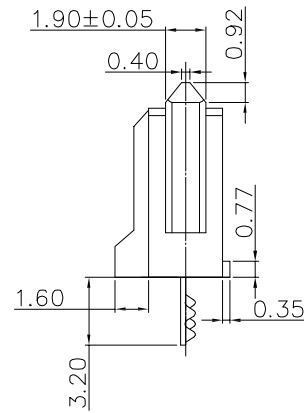
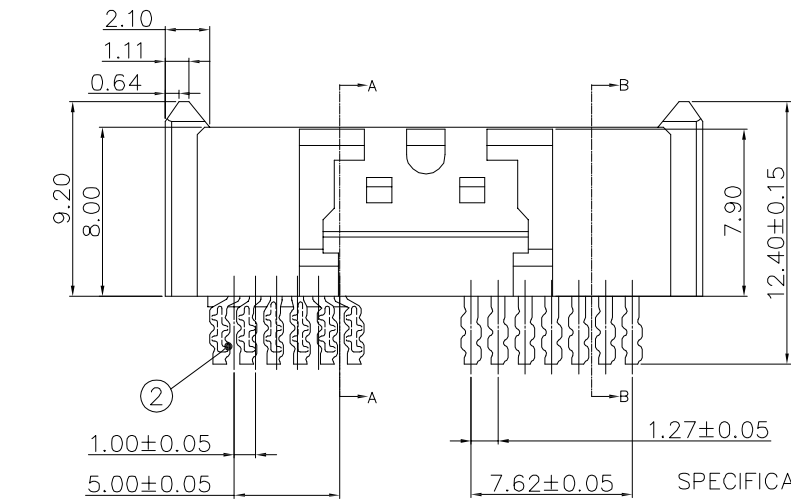
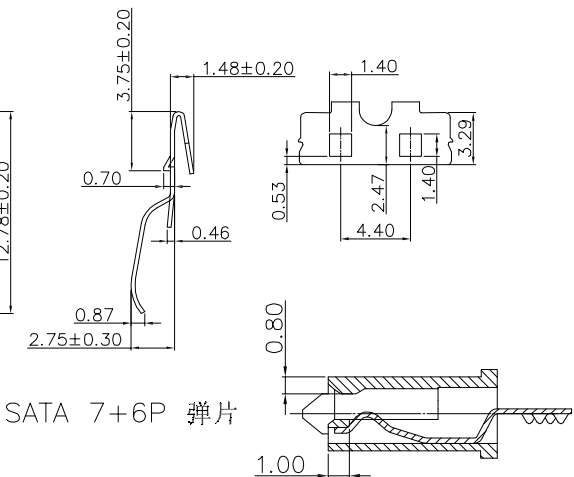
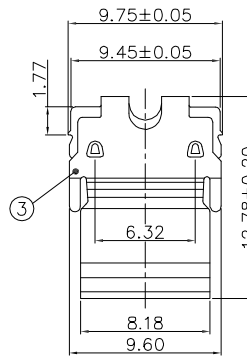
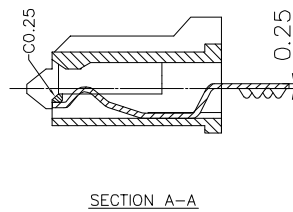
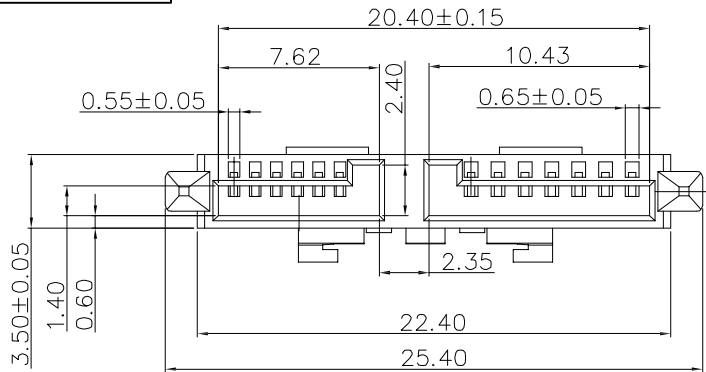


RoHS Compliant

REVISIONS			
REV.	DESCRIPTION	DATE	DESIGN



PART NO. INFORMATION

**S760 - F X A 5 T -003**

GENDER:  
F: FEMALE  
M: MALE

CONTACT PLATED:  
1: GOLD FLASH/TIN  
2: 15U" GOLD/TIN  
3: 30U" GOLD/TIN

PACKAGE:  
T: TRAY  
R: TAPE REEL

HOUSING COLOR:  
5: BLACK

HOUSING MATERIAL:  
A: LCP

SPECIFICATION:

1.MATERIAL:  
HOUSING: LCP UL94V-0, COLOR: BLACK  
CONTACT: PHOSPHOR BRONZE C5191R-H T=0.25mm  
Spring: SUS301

2.FINISH:  
CONTACT: 1u"3u"5u"15u" GOLD/TIN PLATING ON CONTACT AREA  
100u" MIN. TIN PLATING ON SOLDER TAILS  
50u" MIN. NICKEL UNDERPLATING OVERALL

NO.	DESCRIPTION	MATERIAL	COLOR	REMARK
3	Spring	SUS301		
2	Terminal	Pho.Bronze C5191R-H		Gold/Tin Plated
1	Housing	High Temp	Black	UL 94V-0

**Bestcreate Technology Limited**

TOLERANCES UNLESS OTHERWISE SPECIFIED:			
X.	± 0.30	X.*	± 3*
.X	± 0.20	.X*	± 2*
.XX	± 0.15	.XX*	± 1*

Website: [www.bsc-elec.com](http://www.bsc-elec.com)  
E-mail: [bestcreate@bsc-elec.com](mailto:bestcreate@bsc-elec.com)

DESIGN:	I. L	DATE:	2017. 3. 1
CHECKED:	C. W	DATE:	2017. 3. 1
APPROVED:	C. W	DATE:	2017. 3. 1

TITLE:	SATA 7+ 6P Female Crimping+Soldering		
MATERILA:	PART NO:	SIZE:	
	S760-FXA5T-003	A4	
FINSH:	DWG NO:	SHEET:	
	S760-FXA5T-003	1 OF 1	

REV:	A	UNIT:	mm	SCALE:	1=1	QUALITY SYMBOLS:	
------	---	-------	----	--------	-----	------------------	--