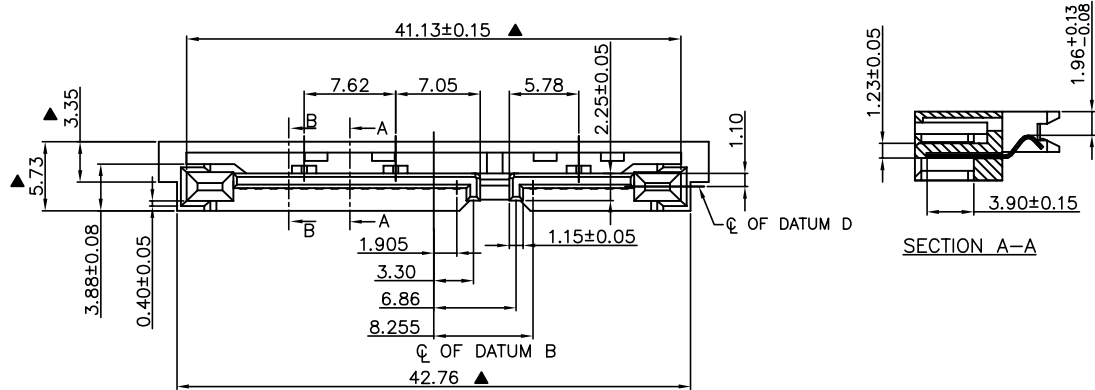
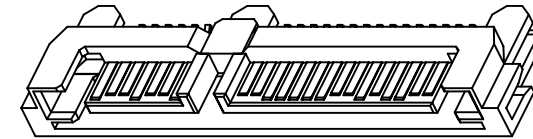
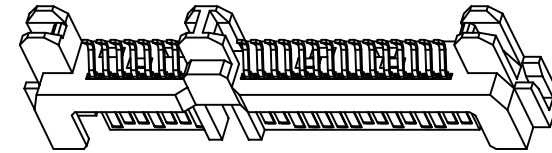


RoHS Compliant

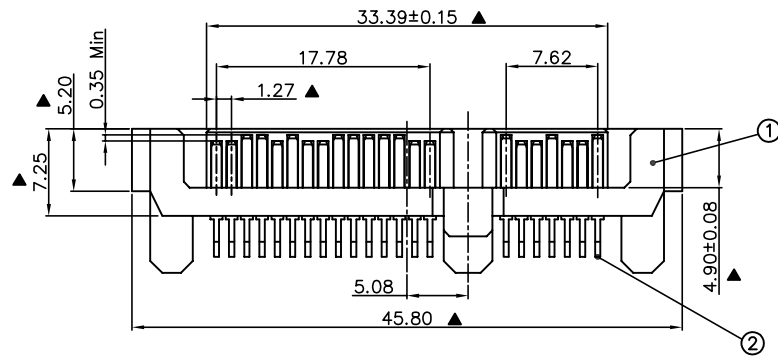
REVISIONS			
REV.	DESCRIPTION	DATE	DESIGN



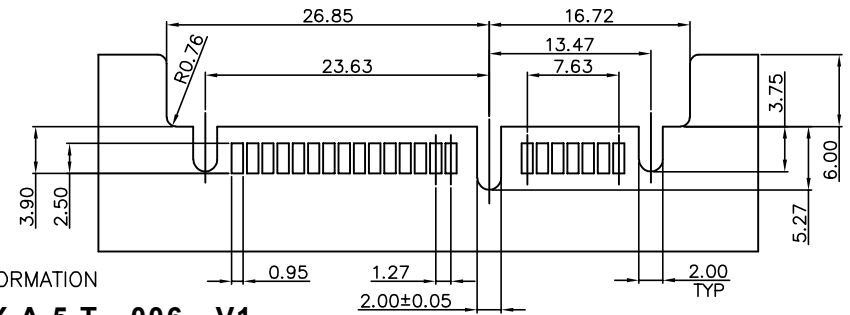
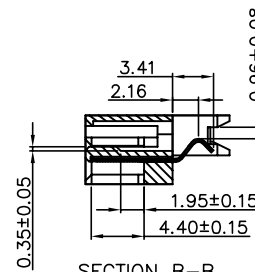
SECTION A-A



SPECIFICATION:  
 1.MATERIAL  
 HOUSING:LCP E130i 30% G/F UL 94V-0  
 COLOR:BLACK  
 CONTACT:BRASS C2680R EH,T=0.25mm  
 2.PLATING  
 CONTACT:(1u" 3u" 5u" 15u") GOLD/TIN PLATING ON CONTACT AREA  
 100u" MIN. TIN PLATING ON SOLDER TAILS  
 50u" MIN.NICKEL UNDERPLATING OVER ALL



SECTION B-B



PART NO. INFORMATION

**S715 - M X A 5 T - 006 - V1**

GENDER  
 F: FEMALE M: MALE

CONTACT PLATED  
 1: GOLD FLASH/TIN 4:3U" GOLD/TIN  
 2: 15U" GOLD/TIN 5:6U" GOLD/TIN  
 3: 30U" GOLD/TIN

PACKAGE  
 T: TRAY  
 R: TAPE REEL  
 HOUSING COLOR  
 5: BLACK  
 HOUSING MATERIAL A: LCP

P.C.B Layout  
 T=1.20

NO.	DESCRIPTION	MATERIAL	COLOR	REMARK
2	Terminal	BRASS C2680R-H		Gold/Tin Plated
1	Housing	High Temp	Black	UL 94V-0

**Bestcreate Technology Limited**

TOLERANCES UNLESS OTHERWISE SPECIFIED:

X.	± 0.35	X.'	± 3'
.X	± 0.25	.X'	± 2'
.XX	± 0.15	.XX'	± 1'

Website: www.bsc-elec.com

E-mail: bestcreate@bsc-elec.com

DESIGN: I. L DATE: 2017.3.1

CHECKED: C. W DATE: 2017.3.1

APPROVED: C. W DATE: 2017.3.1

TITLE: SATA 7+15P MALE CONNECTOR FOR 1.2MM PCB

MATERIAL: PART NO: S715-MXA5T-006-V1 SIZE: A4

FINISH: DWG NO: S715-MXA5T-006-V1 SHEET: 1 OF 2

REV:	UNIT	SCALE	QUALITY SYMBOLS
A	mm	1=1	