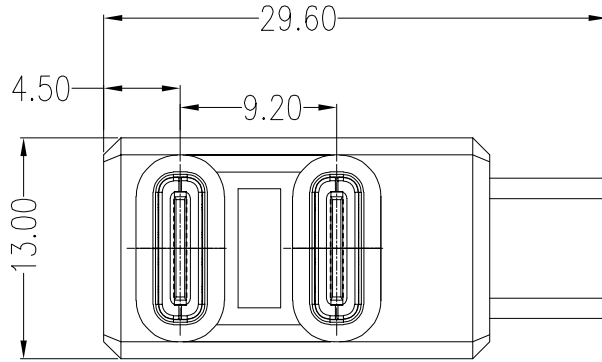


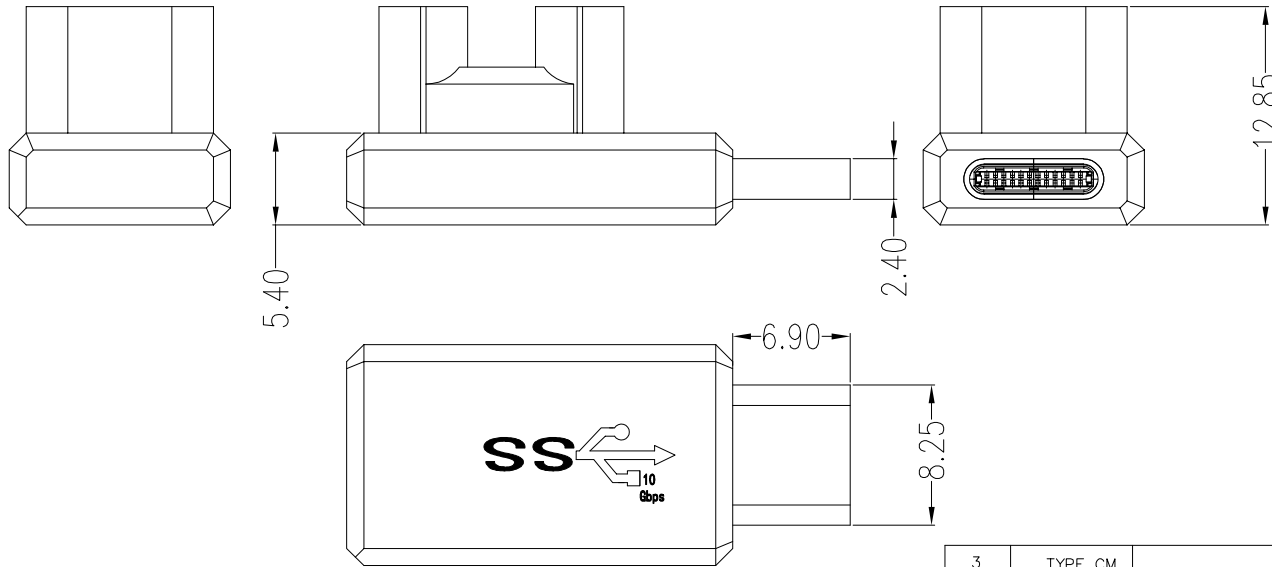
RoHS Compliant

REVISIONS			
REV.	DESCRIPTION	DATE	DESIGN



NOTE:

1. ELECTRICAL CHARACTERISTICS;
 - 2.1 CONTACT RESISTANCE: 80mΩ Max
 - 2.2 CONTACT CURRENT RATING: 1.5 A
 - 2.3 DIELECTRIC WITHSTANDING VOLTAGE: 100 V R. M. S.
 - 2.4 INSULATION RESISTANCE 100 MEGOHMS Min
 - 2.5 OPERATING TEMPERATURE: -25° C ~ 75° C
2. MECHANICAL CHARACTERISTICS;
 - 2.1 MATING FORCE: USB CM 5~20N & MICRO USB 35N Max.
 - 2.2 UNMATED FORCE: USB CM 8~20N & MICRO USB 10N Min.
3. PLATING
 - 3.1 TERMINAL CONTACT: (SEE TAB) GOLD PLATING
ALL OVER 50u"MIN NICKEL
 - 3.2 SHELL: 50u"MIN. NICEL ALL OVER



3	TYPE CM		TYPE C M NI	1PCS
2	TYPE CF		TYPE C F NI	0.005KG
1	PCBA		TYPE CM TO CF, NICKEL PLATED	1PCS
Item	Name	Part Number	Description	Q'TY

Bestcreate Technology Limited

TOLERANCES UNLESS OTHERWISE SPECIFIED:

X.	± 0.50	X.*	± 5'
.X	± 0.30	.X.*	± 2'
.XX	± 0.10	.XX.*	± 1'

Website: www.bsc-elec.com
Email: bestcreate@bsc-elec.com

DESIGN:

I. L **2017. 3. 1**

CHECKED:

C. W **2017. 3. 1**

APPROVED:

C. W **2017. 3. 1**

DATE:

DATE:

DATE:

DATE:

TITLE:

USB 3.1 C MALE TO USB 3.1 C FEMALE x2 ADAPTER

MATERILA:

FINSH:

PART NO:

DWG NO:

AD31CM2CF-051

AD31CM2CF-051

SIZE:

A4

REV:

A

UNIT

SCALE

mm
1=1

QUALITY SYMBOL

