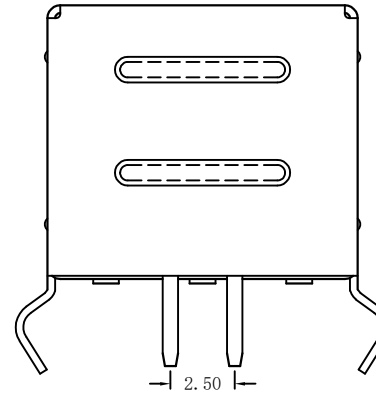
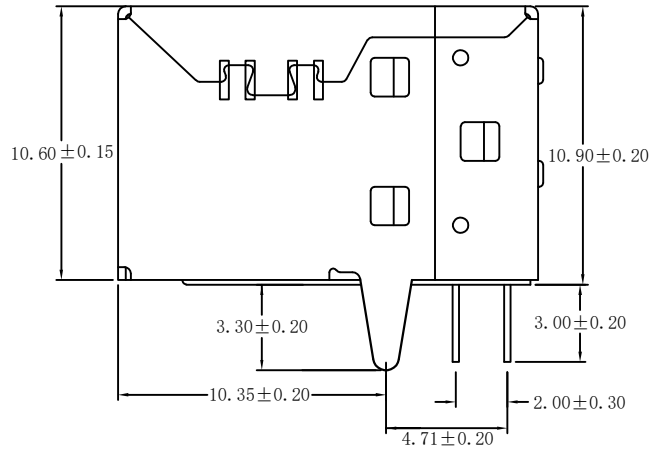
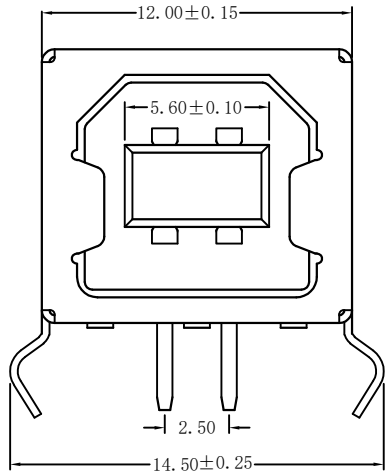


RoHS Compliant

REVISIONS			
REV.	DESCRIPTION	DATE	DESIGN



规格说明: Specifications:

电气特性: Electrical:

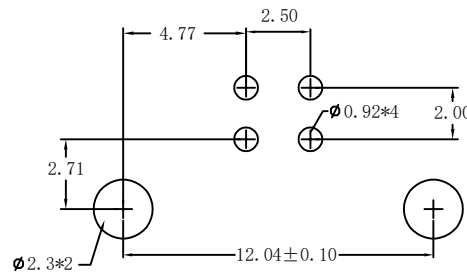
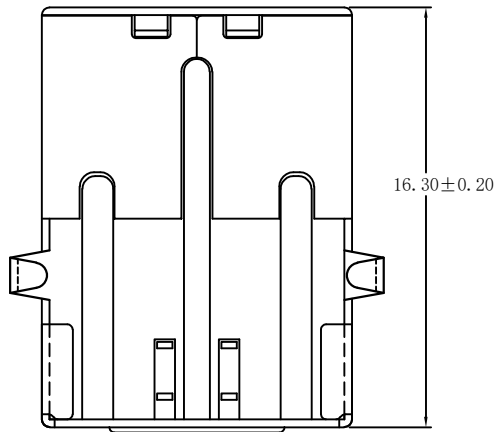
1. 额定电流: Current Rating
1.5A/contact terminal
2. 额定电压: Voltage Rating
30V DC
3. 接触阻抗: Contact Resistance
30 milliohms MAX
4. 耐电压: Dielectric Withstanding Voltage:
500 V AC AT Sea Level
5. 绝缘阻抗: Insulation Resistance:
1000MEGA ohms MIN

原材料: Raw material:

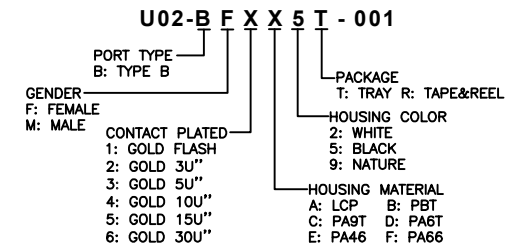
1. 塑胶: Plastic cement:
Hing Temperature Thermoplastics,
PBT White/Black
2. 端子: Contact: Copper Alloy C2680
3. 外壳: Shell: SPCC/Copper Alloy C2680

电镀: Electroplate:

1. 端子: Contact: Plated Gold in Mating Area:
Tin On Solder Talls
2. 外壳: Shell:
Nickel Plating



PART NO. INFORMATION



Bestcreate Technology Limited

TOLERANCES UNLESS OTHERWISE SPECIFIED:

.X	± 0.30	X.'	± 5'
.XX	± 0.20	.X'	± 2'
.XXX	± 0.10	.XX'	± 1'

Website: www.bsc-elec.com
Email: bestcreate@bsc-elec.com

DESIGN: I.L DATE: 2017. 3. 1

CHECKED: C.W DATE: 2017. 3. 1

APPROVED: C.W DATE: 2017. 3. 1

TITLE: USB B/F 90° DIP RIGHT ANGLE

MATERILA: PART NO: U02-BFXX5T-001 SIZE: A4

FINSH: DWG NO: U02-BFXX5T-001

REV: A UNIT mm SCALE 1=1 QUALITY SYMBOLS