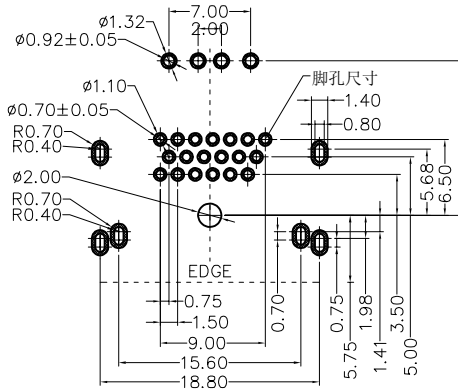
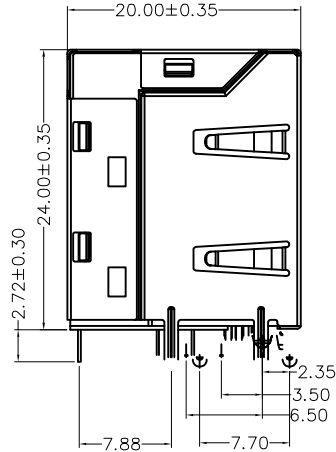
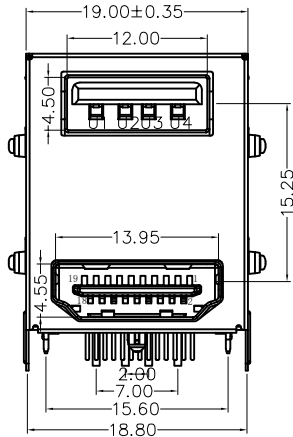
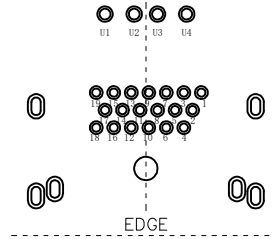
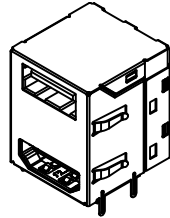
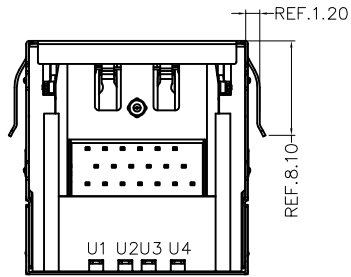
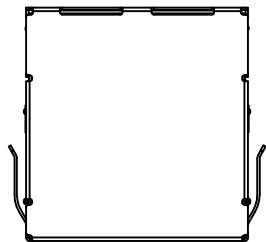


RoHS Compliant

1.Mechanical:



RECOMMENDED P.C.B LAYOUT
TOP VIEW (COMPONENT SIDE)



REVISIONS			
REV.	DESCRIPTION	DATE	DESIGN

NOTE:

- 1.USB MATERIAL:
 - 1.1 HOUSING PLASTIC :PBT,BLACK,UL94V-0.
 - 1.2 TERMINAL: C5191.
30U'MIN NICKEL UNDERPLATING OVERALL.
FLASH GOLD PLATING ON CONTACT AREA.
 - 1.3 SHELL:C2680 OR H65.
30U'NICKEL PLATING OVERALL.
- 2.HDMI MATERIAL:
 - 2.1 HOUSING PLASTIC:LCP,BLACK,UL94V-0
 - 2.2 TERMINAL: C2680
FLASH GOLD PLATING ON CONTACT AREA.
30U'NICKEL UNDERPLATED OVERALL.
 - 2.3 SHELL: C2680 OR H65.30U'NICKEL PLATING OVERALL.
- 3.ELCTRICAL PERFORMANCE :
 - 3.1 VOLAGE CURRENT RATING : 1.5 AMP. 30V AC.
 - 3.2 INSULATION RESISTANCE: 1000M Ω Min.
 - 3.3. CONTACT RESISTANCE : 40 m Ω Max.
 - 3.4 DIELECTRIC WITHSTANDING VOLTAGE:500V AC.
- 3.OPERATING TEMPERATURE: -45℃ to +85℃.
STORAGE TEMPERATURE: -45℃ to +85℃.

PART NO. INFORMATION

U20HD01- X 5 0 X - 012

CONTACT PLATED
 1: G/F 2: AU 3U"
 3: AU 6U" 4: AU 15U"
 5: AU 30U"
 PACKAGE
 R: TAPE REEL
 T: TRAY

Bestcreate Technology Limited

TOLERANCES UNLESS OTHERWISE SPECIFIED:

.X	± 0.35	X'	± 3'
.XX	± 0.25	.X'	± 2'
.XXX	± 0.15	.XX'	± 1'

Website: www.bsc-elec.com
 Email: bestcreate@bsc-elec.com

DESIGN: I. L DATE: 2017. 3. 1

CHECKED: C. W DATE: 2017. 3. 1

APPROVED: C. W DATE: 2017. 3. 1

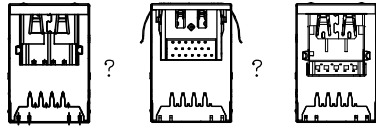
TITLE: USB2. 0 A FEMALE+HDMI A FEMALE CONNECTOR

MATERILA: PART NO: U20HD01-X50X-012 SIZE: A4

FINSH: DWG NO: U20HD01-X50X-012 1 OF 2

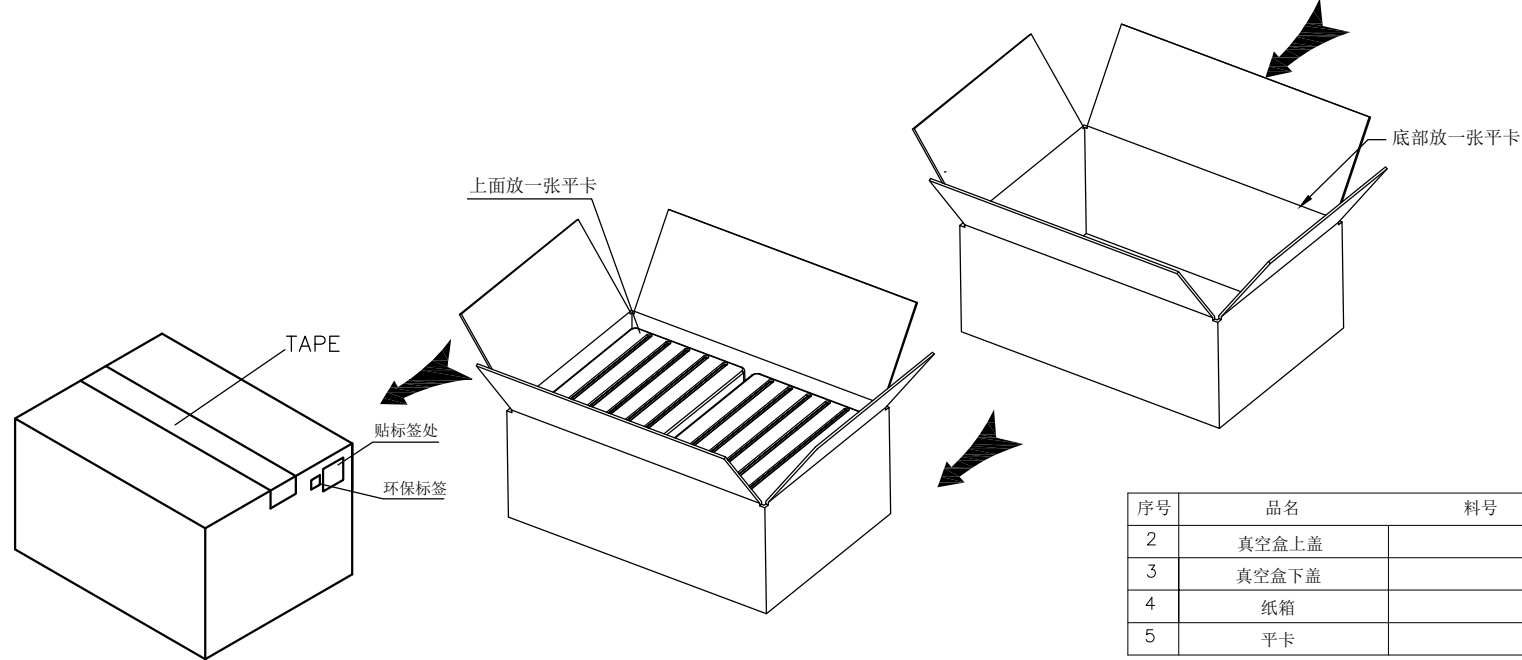
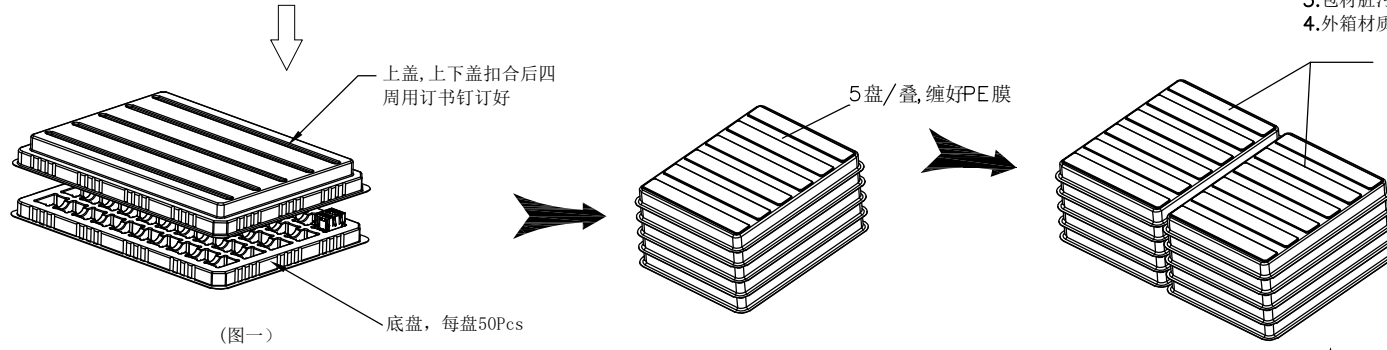
REV: A	UNIT: mm	SCALE: 1=1	QUALITY SYMBOLS
--------	----------	------------	-----------------

RoHS Compliant



REVISIONS			
REV.	DESCRIPTION	DATE	DESIGN

- 数量: 1盘=50Pcs, 一箱10盘=500Pcs
- 将装好产品的5个真空盒整齐叠放在一起, 缠好PE膜, 共两叠每叠250PCS放入纸箱中(上下两面各放一张平卡), 用封箱胶纸封好纸箱。
- 包材脏污破损不可使用, 包装过程中注意不可碰伤刮伤产品
- 外箱材质为K=K, 要求破裂强度为16Kg



序号	品名	料号	数量	规格
2	真空盒上盖		10PCS	295*220*30mm
3	真空盒下盖		10PCS	295*220*15mm
4	纸箱		1PCS	455*310*175mmK=K
5	平卡		2PCS	295*440*5mmK=K

Bestcreate Technology Limited

TOLERANCES UNLESS OTHERWISE SPECIFIED:			
.X	± 0.35	.X'	± 3'
.XX	± 0.25	.X''	± 2'
.XXX	± 0.15	.XX''	± 1'

Website: www.bsc-elec.com
 Email: bestcreate@bsc-elec.com

DESIGN:	DATE:
I. L	2017. 3. 1
CHECKED:	DATE:
C. W	2017. 3. 1
APPROVED:	DATE:
C. W	2017. 3. 1

TITLE:		
USB2.0 A FEMALE+HDMI A FEMALE CONNECTOR		
MATERILA:	PART NO:	SIZE:
	U20HD01-X50X-012	A4
FINSH:	DWG NO:	
	U20HD01-X50X-012	2 OF 2

REV: A	UNIT mm	SCALE 1=1	QUALITY SYMBOLS
--------	---------	-----------	-----------------