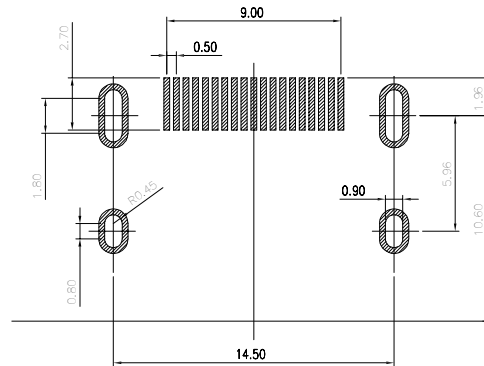
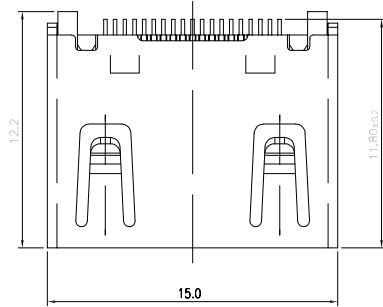
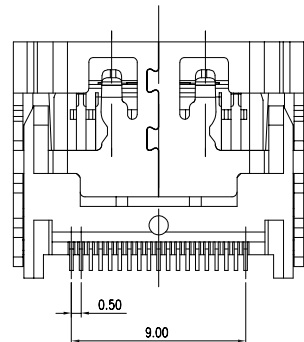
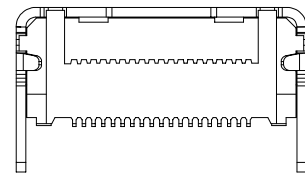
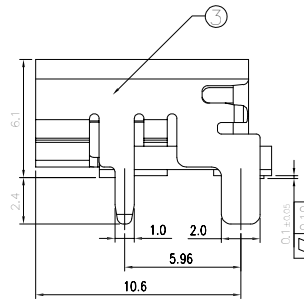
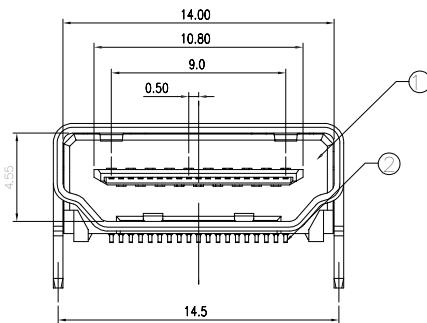


RoHS Compliant



PCB LAYOUT(TOP VIEW)



REVISIONS			
REV.	DESCRIPTION	DATE	DESIGN

NOTE:

- Material:
Housing: Thermoplastics,UL94V-0; COLOR: BLACK
Contact: Copper Alloy
Shell: SPCC
- FINISH:
Contact: Au Plated on Contact Arca,
Matte Tin Plated on Solder Tails,
Nickel Underplating Over All.
Shell: Nickel Underplating Over All.
- Specification:
3.1: Electrical:
Insulation Resistance(EIA-364-21):
100MΩ Min. at 500V/DC for 1Minute.
Contact Resistance(EIA-364-06): 30 mΩ Max.
Dielectric Withstanding Voltage(EIA-364-20):
No discharge, flashover or breakdown at 500V/AC 1Minute

PART NO. INFORMATION

HD01-A F X X 5 R - 007-V2

PORT TYPE
A: TYPE A

GENDER
F: FEMALE
M: MALE

CONTACT PLATED
1: GOLD FLASH
2: COLD 3U''
3: COLD 5U''
4: GOLD 10U''
5: COLD 15U''
6: COLD 30U''

PACKAGE
R: TAPE REEL

HOUSING COLOR
2: WHITE
5: BLACK
9: NATURE

HOUSING MATERIAL
A: LCP B: PBT
C: PA9T D: PA6T
E: PA46 F: PA66

Bestcreate Technology Limited

TOLERANCES UNLESS OTHERWISE SPECIFIED:	
X. ± 0.38	X.' ± 2'
.X ± 0.35	.X' ± 1'
.XX ± 0.25	.XX' ± 0.5'
.XXX ± 0.15	

Website: www.bsc-elec.com
Email: bestcreate@bsc-elec.com

DESIGN:	DATE:
I. L	2017/5/3
CHECKED:	DATE:
C. W	2017/5/3
APPROVED:	DATE:
C. W	2017/5/3

TITLE: HDMI A FEMALE R/A SMT CONNECTOR		
MATERILA:	PART NO: HD01-AFXX5R-007-V2	SIZE: A4
FINSH:	DWG NO: HD01-AFXX5R-007-V2	SIZE: 1 OF 1

REV: A	UNIT: mm	SCALE: 1=1	QUALITY SYMBOLS
--------	----------	------------	-----------------