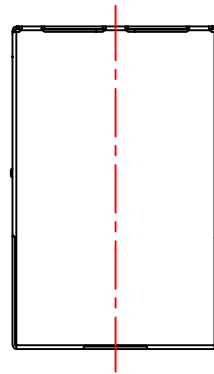
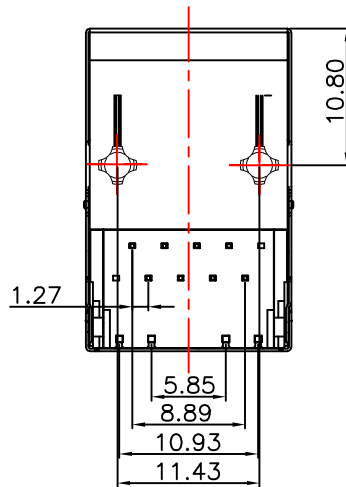
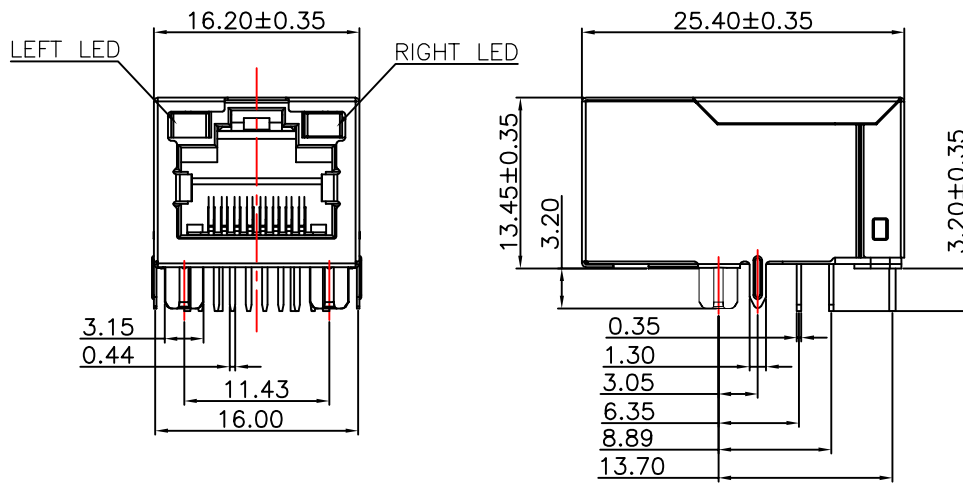
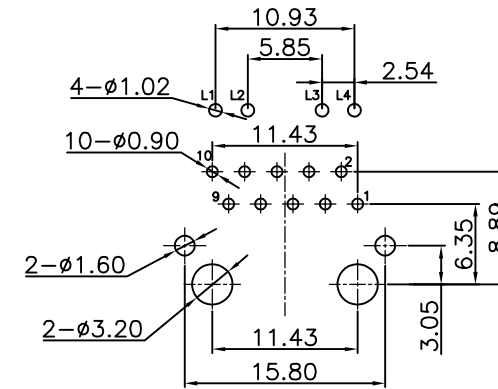


RoHS Compliant

REVISIONS			
REV.	DESCRIPTION	DATE	DESIGN



- 1.Material:  
 1.1 Housing: LCP UL94V-0 Black.  
 1.2 Contact :Phosphor Bronze,Gold plated on contact area 6u".  
 1.3 Input Terminal : Brass.  
 1.4 Metal shielding:Copper alloy with Nickel plated.  
 2.Environmental requirements:  
 2.1 Lead-free process,compliant RoHS.



Recommended PCB Layout  
 (Tolerance:±0.05)

PART NO. INFORMATION

**RJ01- X X A X - 100**

CONTACT PLATED

- 1: G/F 2: AU 3U"  
 3: AU 6U" 4: AU 10U"  
 5: AU 15U" 6: AU 30U"

- PACKAGE  
 R: TAPE REEL  
 T: TRAY

LED COLOR:

- 1:L-YELLOW R-GREEN  
 2:L-GREEN R-YELLOW

HOUSING:

- A:LCP BLACK B:PA9T BLACK  
 C:PBT BLACK D:PA46 BLACK

**Bestcreate Technology Limited**

TOLERANCES UNLESS OTHERWISE SPECIFIED:

.X	± 0.35	X.'	± 3'
.XX	± 0.25	.X'	± 2'
.XXX	± 0.15	.XX'	± 1'

Website:www.bsc-elec.com

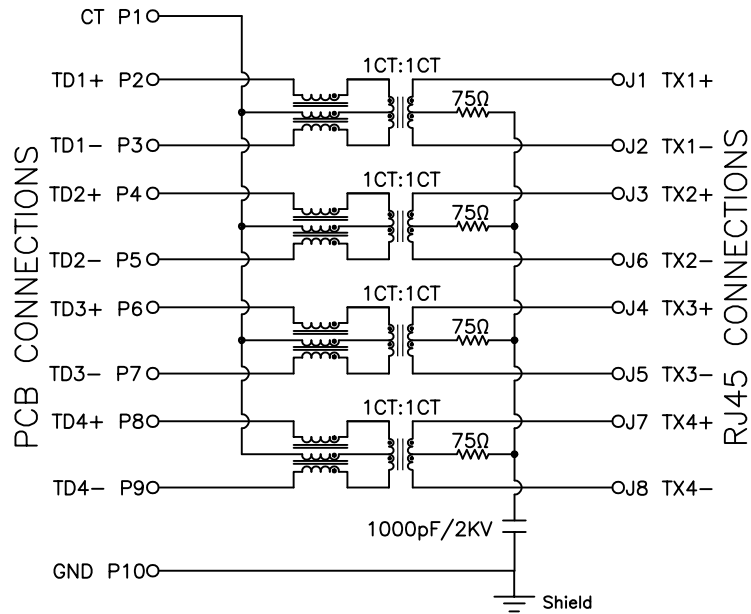
Email:bestcreate@bsc-elec.com

DESIGN:	DATE:	TITLE:	
I. L	2017. 3. 1	RJ45 1X1 DIP TAB UP 2.5G BASE WITH LED 6U' NS	
CHECKED:	DATE:	MATERILA:	PART NO:
C. W	2017. 3. 1		RJ01-XXAX-100
APPROVED:	DATE:	FINSH:	DWG NO:
C. W	2017. 3. 1		RJ01-XXAX-100
			SIZE: A4

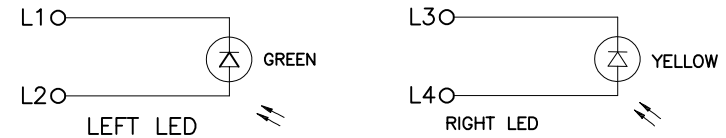
REV:	UNIT	SCALE	QUALITY SYMBOLS
A	mm	1=1	

RoHS Compliant

REVISIONS			
REV.	DESCRIPTION	DATE	DESIGN



3. Electrical Specification @25°C:
- 3.1 Inductance: 180uH Min With 8mA DC bias.
  - 3.2 Insertion loss : 1-50MHZ -0.5dB max.  
50-125MHZ -1dB max.  
125-200MHZ -2dB max.
  - 3.3 Return loss : 1-40MHZ -35dB min.  
40-200MHZ -20+15\*log(Freq MHz/250MHz) dB min.
  - 3.4 Common Mode Rejection: 1-50MHZ -35dB min.  
125MHZ -30dB min.  
200MHZ -25dB min.
  - 3.5 Cross Talk: 1-125MHZ -30dB min.  
10~125MHz -45+15\*log((Freq MHz/250MHz)) dB min.
4. Operating and Storage Temperature:
- 4.1 Operating Temperature : 0°C to +70°C.
  - 4.2 Storage Temperature : -40°C to +85°C.
5. IR REFLOW peak Temperature: 230±5°/10sMax.



Emitting Color	$\lambda_p$ (nm)	$V_f @ I_f = 20mA$
GREEN	565	1.8-2.5V
YELLOW	585	1.8-2.5V

**Bestcreate Technology Limited**

TOLERANCES UNLESS OTHERWISE SPECIFIED:

.X	± 0.35	X.'	± 3'
.XX	± 0.25	.X'	± 2'
.XXX	± 0.15	.XX'	± 1'

Website: [www.bsc-elec.com](http://www.bsc-elec.com)  
Email: [bestcreate@bsc-elec.com](mailto:bestcreate@bsc-elec.com)

DESIGN: DATE:

I. L. 2017. 3. 1

CHECKED: DATE:

C. W. 2017. 3. 1

APPROVED: DATE:

C. W. 2017. 3. 1

TITLE:

RJ45 1X1 DIP TAB UP 2.5G BASE WITH LED 6U' NS

MATERILA:

PART NO: RJ01-XXAX-100

SIZE: A4

FINSH:

DWG NO: RJ01-XXAX-100

REV: A	UNIT mm	SCALE 1=1	QUALITY SYMBOLS
--------	---------	-----------	-----------------